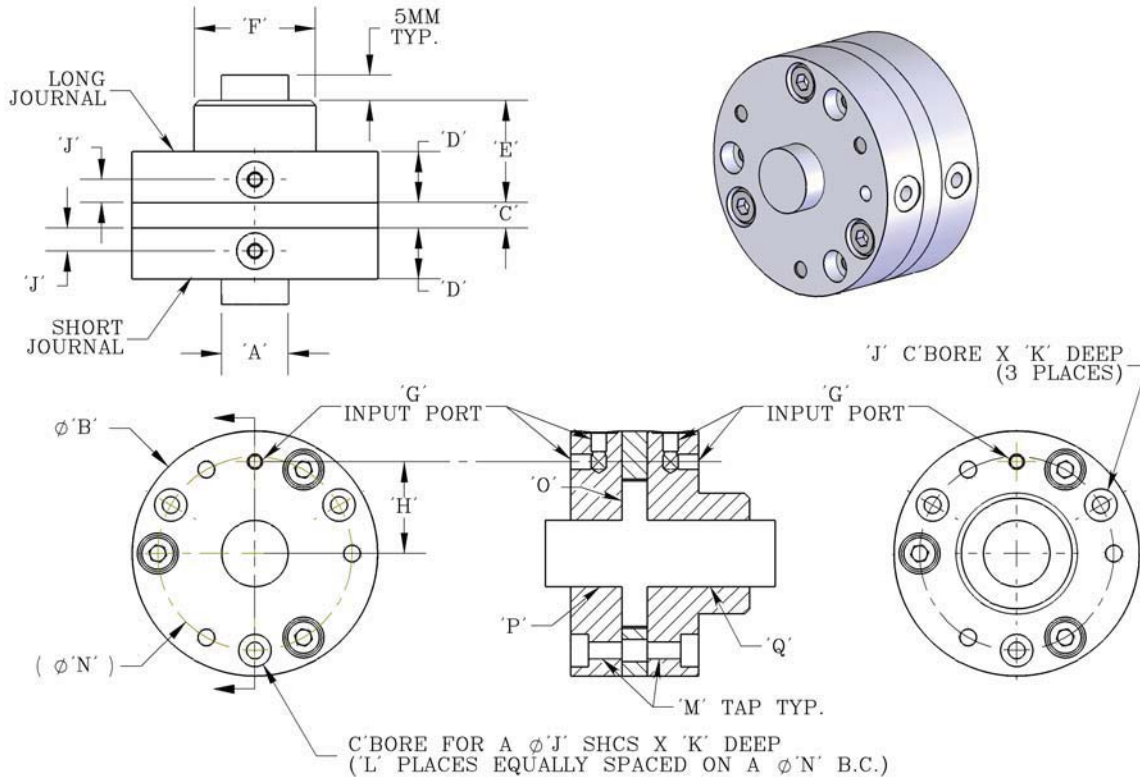


NEW WAY SPINDLE BEARINGS – J-SERIES

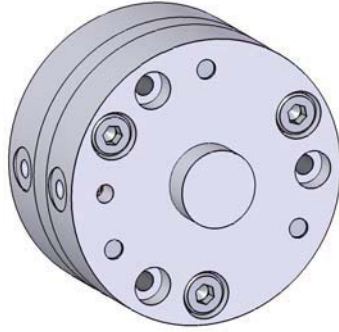
DIMENSIONS



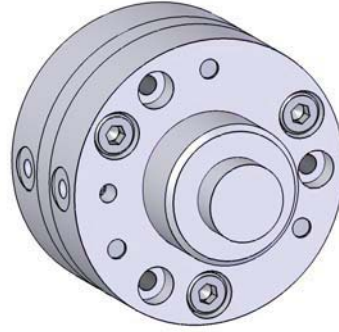
PART NUMBER	DIMENSIONS							
	SHAFT DIA.	HOUSING O.D.	SPACER THK.	HOUSING			AIR SUPPLY PORT	
	'A'	'B'	'C'	'D'	'E'	'F'	'G'	'H'
S5006XX	6	29.5	4	9	N/A	N/A	M3 X 0.50	N/A
S5013XX	13	48.0	5	10	20	23.7		18
S5020XX	20	59.5			30	31.8		24
S5025XX	25	74.5			40	39.9	28	
S5040XX	40	99.5	7	20	60	59.6	M5 X 0.80	41
S5050XX	50	119.5	8	25	75	74.1		50
S5075XX	75	174.5	13	40	120	99.5		75

PART NUMBER	DIMENSIONS							
	MOUNTING FEATURES					TOTAL BEARING SURFACE AREA (SQ. MM.)		
	'J'	'K'	'L'	'M'	'N'	'O'	'P'	'Q'
S5006XX	2	2.5	3	M3 X 0.5	22	121	163	N/A
S5013XX	3	3.5		M4 X 0.7	38	473	393	801
S5020XX				48	745	605	1861	
S5025XX	4	4.5		M5 X 0.8	60	1080	992	3112
S5040XX				M6 X 1.0	84	2237	2566	7493
S5050XX				M8 X 1.25	100	3278	3868	11722
S5075XX	8	8.5		M10 X 1.5	150	7599	9336	13592

NOTES: -ALL DIMENSIONS IN MILLIMETERS

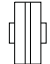
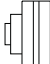



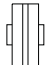
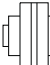

SHORT JOURNAL



LONG JOURNAL

SPECIFICATIONS

PART NUMBER	LOAD CAPACITY (N)			
	AXIAL	RADIAL		
		(2) SHORT JOURNALS 	(2) LONG JOURNALS 	(1) SHORT (1) LONG JOURNAL 
S5006XX	25	27	N/A	N/A
S5013XX	98	65	133	99
S5020XX	154	100	308	204
S5025XX	223	164	515	340
S5040XX	463	425	1240	832
S5050XX	678	640	1940	1290
S5075XX	1572	1545	2249	1897

PART NUMBER	WEIGHT (GM)					
	(2) SHORT JOURNALS 		(2) LONG JOURNALS 		(1) SHORT (1) LONG JOURNAL 	
	TOTAL BEARING	ROTOR ONLY	TOTAL BEARING	ROTOR ONLY	TOTAL BEARING	ROTOR ONLY
S5006XX	34.3	3.9	N/A		N/A	
S5013XX	108.6	19.4	129.5	26.5	119.1	22.9
S5020XX	175.3	40.2	253.3	74.2	214.3	57.2
S5025XX	340.5	69.5	499.0	141.1	419.7	105.3
S5040XX	941.5	236.9	1504.1	508.3	1222.8	372.6
S5050XX	1661.4	433.0	2766.9	963.1	2214.1	698.0
S5075XX	5780.3	1499.5	9001.9	3408.0	7391.1	2453.8