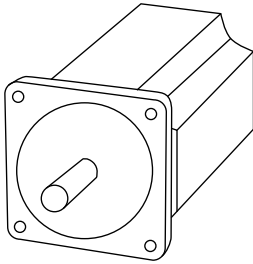
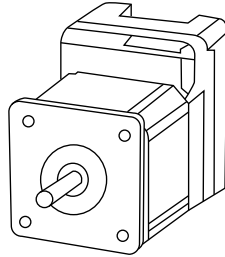


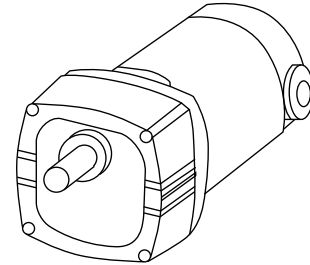
Motors



Servo

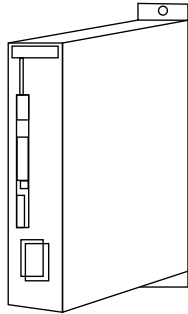


Stepper

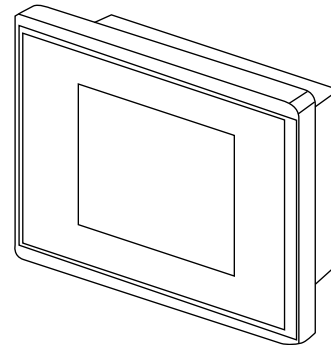
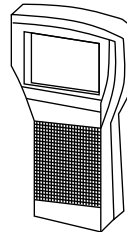


AC & DC Gear Motor

Controls & Drives



Interface Products



Motors and Control Units

**DC, AC, Stepper and Servo Motors, Drives,
Controls and Keypad Human Machine Interfaces are available.**

Nook Industries offers a broad range of products to meet application requirements.

Contact **CUSTOMER SERVICE** at **(216) 271-7800** or **(800) 321-7800**

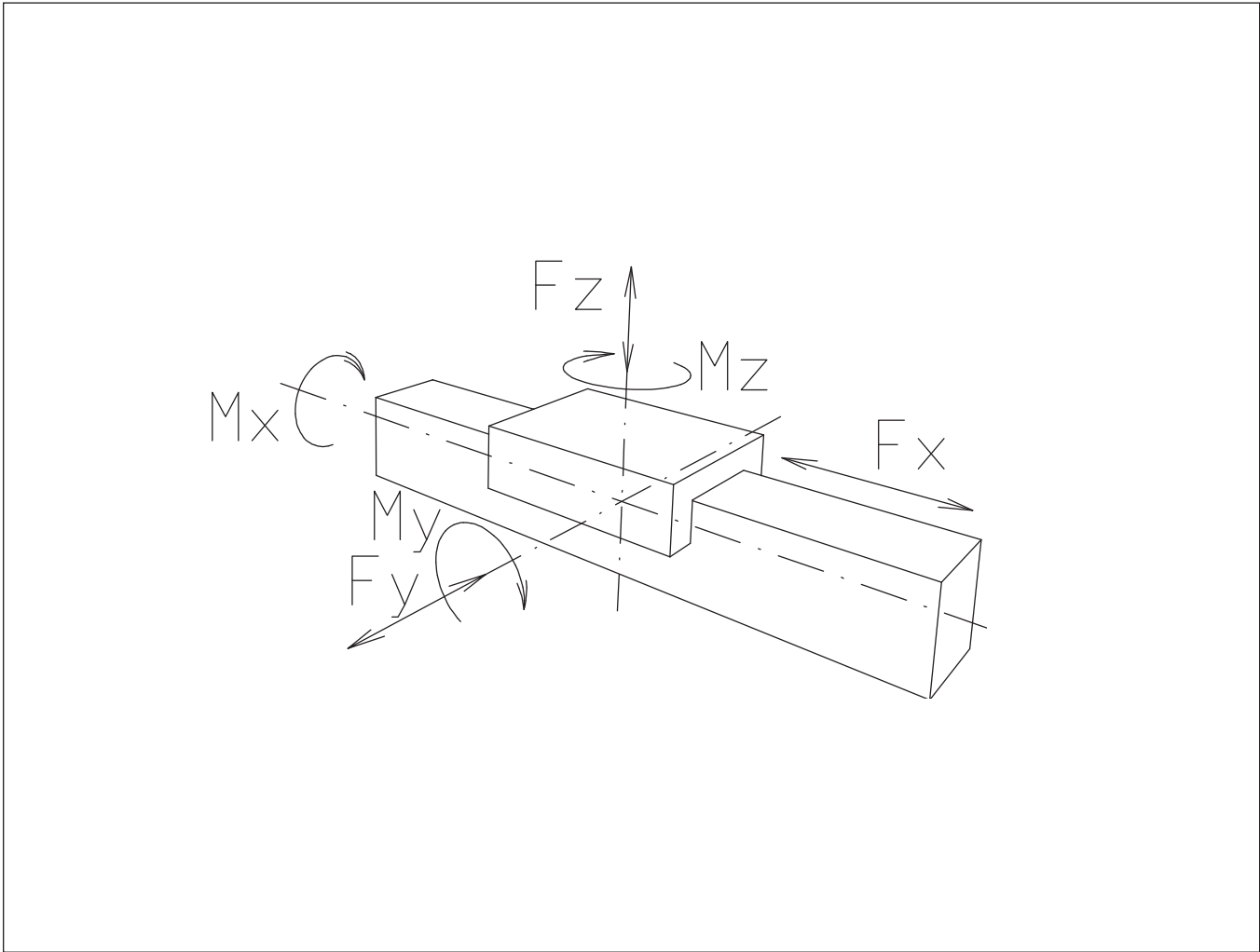
by email at **engineering@precisionactuator.com**.

or by **fax at (216) 271-7020** to discuss your requirements.

For inquiries or quotations email **sales@nookindustries.com**.

4.2





Ordering Templates

Request for Quotation

Fax: (216) 271-7120

Date: _____

Pages (Including this cover): _____

Customer: _____

Address: _____ City: _____

State/Province: _____ Country: _____ Zip: _____

Contact Name: _____

Phone: _____ Fax: _____

E-mail: _____

Template Title	Quantity
_____	_____
_____	_____
_____	_____
_____	_____

FAX CUSTOMER SERVICE at: (216) 271-7120 with a copy of your drawing or select a template from the following pages that best matches your application requirements.

1. Fill in all available data with tolerance in metric units.
2. If a specification is not on the template, add the applicable dimensions and tolerances desired.
3. If a specification is not required but is on the template, draw a line through it, and mark the item description with N/A.
4. Include additional notes to the template to aid in quoting and manufacturing.

For questions or help in selecting the best solution for your application requirements, please complete the application data sheet on page 153 and fax it to (216) 378-9923 or email to engineering@precisionactuator.com

APPLICATION ENGINEERING at: (800) 321-7900 or email: engineering@nookindustries.com

These templates are available in pdf format online

www.precisionactuator.com

Nook Industries, Inc.—Precision Actuator Group • 4950 E. 49th Street Cleveland, OH 44125

5.2



Fig.1 Horizontal Axis

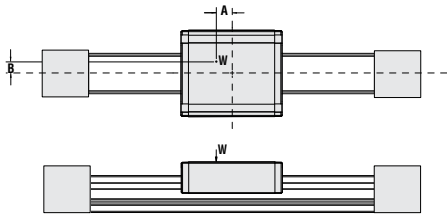


Fig. 2 Vertical Axis

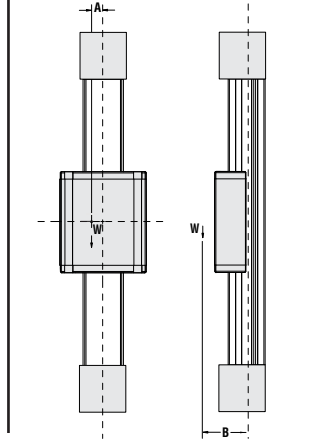
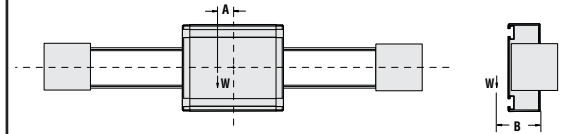


Fig.3 Perpendicular Axis



LENGTH

Length: _____ mm

Orientation:

Fig. 1
Horizontal
Axis

Fig. 2
Vertical
Axis

Fig. 3
Perpendicular
Axis

System Axis: (see pages 141-144, ie: 1a, 1b) _____

LOAD

Total Maximum Dynamic Load: _____ kN A: _____ C: _____ W: _____

Total Maximum Static Load: _____ kN B: _____ D: _____

TRAVEL RATE

Average Speed: _____ m/minute Minimum Speed: _____ m/minute

Maximum Acceptable Speed: _____ mm/minute

DESIRED LIFE

Distance per cycle: _____ mm (usually twice the travel)

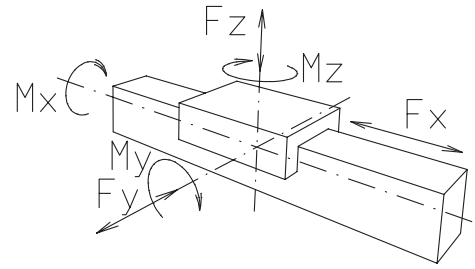
Number of cycles: _____ / day _____ / year Desired Life: _____ years

APPLICATION EXPLANATION

Please briefly describe the application with as many details as possible. Include drawing, sketch or order template if available.



Please select a configuration 1a through 1i below that best illustrates your application. Please include on the application data form see page 195.

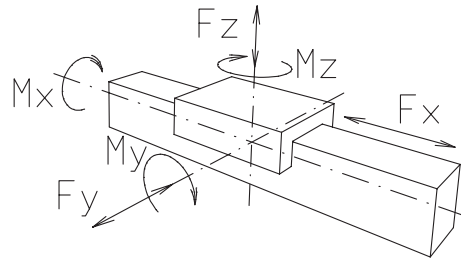


5.2



<p>1a</p>	<p>1b</p>	<p>1c</p>
<p>1d</p>	<p>1e</p>	<p>1f</p>
<p>1g</p>	<p>1h</p>	<p>1i</p>

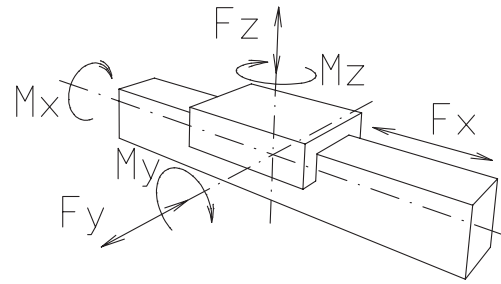
Please select a configuration 2a through 2i below that best illustrates your application. Please include on the application data form see page 195.



<p>2a</p>	<p>2b</p>	<p>2c</p>
<p>2d</p>	<p>2e</p>	<p>2f</p>
<p>2g</p>	<p>2h</p>	<p>2i</p>



Please select a configuration 3a through 3i below that best illustrates your application. Please include on the application data form see page 195.



5.2



<p>3a</p>	<p>3b</p>	<p>3c</p>
<p>3d</p> <p>3a</p>	<p>3e</p> <p>3b</p>	<p>3f</p> <p>3c</p>
<p>3g</p>	<p>3h</p>	<p>3i</p>

UNIT CONVERSION

ENGLISH TO METRIC

Length

1 ft = 304.8 mm
 1 ft = .3048 m
 1 ft = .0003048 km
 1 in = 25400 μ m
 1 in = 25.4 mm
 1 in = .0254 m
 1 in = .0000254 km

Torque

1 lb-ft = .001356 kN-m
 1 lb-ft = 1.356 N-m
 1 lb-ft = 135.6 N-cm
 1 lb-ft = 1356 N-mm
 1 lb-ft = .1383 kgf-m
 1 lb-in = .000113 k-m
 1 lb-in = .113 N-m
 1 lb-in = .01152 kgf-m

Weight/Force

1 lb = .454 kg
 1 lb = .454 kgf
 1 lb = 4.45 N
 1 lb = .00445 kN

Weight

1 lb/in = 17.9 kg/m
 1 lb/ft = 1.49 kg/m

Speed

1 ft/sec = .3048 m/sec
 1 in/sec = .0254 m/sec

METRIC TO ENGLISH

Length

1 mm = .00328 ft
 1 m = 3.28 ft
 1 km = 3821 ft
 1 μ m = .0000394 in
 1 mm = .03937 in
 1 m = 39.37 in
 1 km = 39370 in

Torque

1 kN-m = 737.3 lb-ft
 1 N-m = .737 lb-ft
 1 N-cm = .00737 lb-ft
 1 N-mm = .000737 lb-ft
 1 kgf-m = 7.23 lb-ft
 1 kN-m = 8847.2 lb-in
 1 N-m = 8.847 lb-in
 1 kgf-m = 86.8 lb-in

Weight/Force

1 kg = 2.205 lb
 1 kgf = 2.205 lb
 1 N = .225 lb
 1 kN = 224.8 lb

Weight

1 kg/m = .056 lb-in
 1 kg/m = .672 lb-ft

Speed

1 m/sec = 3.28 ft/sec
 1 m/sec = 39.37 in/sec





Title	Chapter/Page
EG/EL Modular Linear Actuator Belt or Screw Driven	1.1
EGT – EGK	12-13
EGT – EGK Right-/Left Handed Thread	14
EGZ	16-17
EHT – EHK	18-19
ELT – ELK	20-12
EL Modular Linear Actuator without Drive	2.1
ELR	24-25
ELRZ	26
ER	27
E	28-29
UL	30-31
ELZ Modular Linear Actuator External Belt Driven Actuator with Roller Bearing Guidance	3.1
ELZ	34-35
ELZex	36-37
ELZ Carriage Right – Left Moving	38
ELZG	39
ELZZ	40-41
ELSZ with Standard Belt Performance	42-43
ELSZ with Belt Widening	44-45
ELSD with Standard Belt Performance	46-47
ELSD with Belt Widening	48-49
ELZT	50-51
Functioning Drawing for ELZT Units	52-53
ELHZ	54-55
ELVZ	56-57
ELVZ Carriage Right – Left Moving	58
ELFZ	60-63
ELZU	64-65
MLZ	66-67
QL Modular Linear Actuator – Rack & Pinon Driven	4.1
ELZA	70
ELZQ	72-73
QL Modular Linear Actuator – Belt Driven	5.1
QLZ	76-77
QLR	78-79
QS Modular Linear Actuator Belt or Screw Driven Actuator with Profile Rail Guidance	6.1
QSZ	82-83
QSSZ	84-85
QST	86-88
QSR	90-91
QSSR	92-93
DL Modular Linear Actuator Belt or Screw Driven Actuator with Profile Rail Guidance	7.1
DLT – DLK	96-97
DLT – DLK Carriage Right – Left Moving	98
DLZ	100-101
DLZA	102-103
DLSZ	104-105
DLVZ	108-109
DLR	110-111

Title	Chapter/Page
DS Modular Linear Actuator Belt or Screw Driven Actuator with Profile Rail Guidance	8.1
DST – DSK	114-115
DST – DSK carriage right - left moving	116
DSZ	118-119
DSSZ	120-121
DSR	122-123
DLM/DLVM Linear Motor Carriage with Roller Bearing Guidance DS Linear Motor Carriage with Profile Rail Guidance	9.1
DLM	126-127
DLVM	128-129
DSM	130-131
Mounting styles	132
ALLM/ALLZ/ALLR Linear Motor Driven Carriage with Roller Bearing Guidance	10.1
ALLM	134-135
ALLZ	136-137
ALLR	138-139
QLZE/QSZE/QST/KE Stainless Steel	11.1
QLZE	142-143
QSZE	144-145
QST/KE	146-147
ELBZ R800	148-149
Spare Parts	1.2
Carriage	154-156
Eccentric	157
Body Profile	158
Spindle	159
Ball screw	160
Lubricants	161
Toothed	162
Pulley	163-165
Belt Adjuster	166
Accessories	2.2
Square Nuts, T-nuts, Rhombus Nut, Half Round Nut	168
Mounting Possibility	169
Handwheel Positional Indicator Clamp	170
Clamp Mounting Systems	171
Support and Mounting Blocks	172-173
Limit Switch, Proximity Switch	175-177
Activating Strip, Cable Conduit, Cable Chain	178
Coupling, Tension Sets	179
Motor Adapter, Bellows	181
Bevel Gear, Combination Cube, Angular Gear	181
Transmission Unit, Splined Shaft	182
Inline and Right Angle Gear Box	182
Toothed Pulley, Toothed Belt, Parallel Transfer Unit	184
Incremental Encoder	184
Toothed Belt Gearing	185
Belt and Screw Critical Speeds and Application Specifications	3.2
Specifications	188-189
Motors and Control Units	4.2
DC, AC, Stepper and Servo Drives	192
Ordering Templates	5.2
Request for Quotation	194
Application Data Form	195
Single Axis System	196
Two Axis System	197
Three Axis System	198
Unit Conversion	199