

Brushless Motors/AC Speed Control Motors

Brushless Motors

DC Input



DC Input
BLH Series

DC Input
BLV Series



Introduction

AC Input
BX
BLF
BLE
BLU

DC Input
BLH
BLV

AC Speed Control Motors
BHF
FE100/
FE200
ES01/
ES02
US

Accessories
Installation

Page

BLH Series D-132
BLV Series D-148

Brushless Motors BLH Series

● Additional Information ●
 Technical reference → Page G-1
 Safety standards → Page H-2

The **BLH** Series combines a slim, high-power brushless motor with a 24 VDC board-type driver to meet your space-saving needs. Speed control range is 100 to 3000 r/min.

Choose from a wide variety of frame sizes offering outputs of 15 to 100 W (1/50 to 1/8 HP) to meet your specific application.



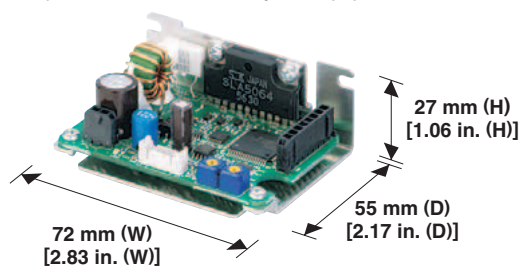
● For detailed product safety standard information including standards, file number and certification body, please visit www.orientalmotor.com.



Features

● Compact Board-Type Driver

The models with an output of 15 to 50 W (1/50 to 1/15 HP) adopt a compact, board-type driver smaller than the size of a business card. This will help to reduce the size of your equipment.



The 100 W (1/8 HP) driver has dimensions of 71 mm (D) × 131 mm (W) × 37.5 mm (H) [2.80 in. (D) × 5.16 in. (W) × 1.48 in. (H)]

◇ Full Range of Driver Functions

The compact driver is packed with a full range of functions.

- Instantaneous stop
- Speed control by potentiometer
- Speed control by DC voltage
- Acceleration/deceleration time setting
- Alarm output

● Speed Control Range

100 to 3000 r/min (speed ratio 30:1)

● Wide Variety

The series offers a wide range of models from compact packages with a motor output of 15 W (1/50 HP), to larger ones producing a high output of 100 W (1/8 HP). Choose one that best suits your specific requirements.

● IP65 Motor Structure*

The motor is protected against water intrusion, should water come into contact with the motor.

*IP40 for 15 W (1/50 HP) motor

- The motor must not be washed with water, and is not suitable for use in an environment where it constantly comes into contact with water.

● Long Life Gearhead Rating of 10000 Hours*

The rated life of the parallel shaft gearhead and hollow shaft flat gearhead is 10000 hours. The parallel shaft gearhead achieves a rated life of twice as long as that of a conventional gearhead.

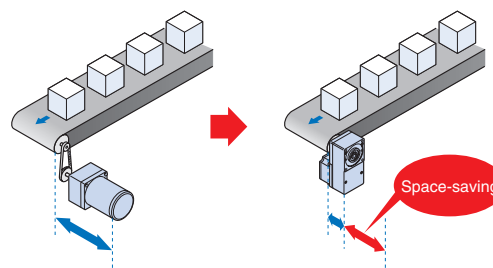
*5000 hours for gearhead equipped with 15 W (1/50 HP) geared motor.

- The 50 W (1/15 HP) and 100 W (1/8 HP) parallel shaft gearhead has a tapped hole at the shaft end.

● Features of Hollow Shaft Flat Gearhead

◇ Space-Saving and Low-Cost

The output shaft can be coupled directly to a driven shaft without using a coupling, which allows you to reduce the size and installation space of your equipment. Since no shaft-coupling parts are needed, the parts cost and labor will also decrease.

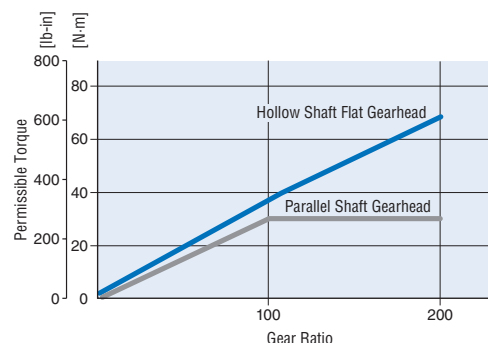


[For Three-Phase Motor and Parallel Shaft Gearhead]

[For Brushless Motor and Hollow Shaft Flat Gearhead]

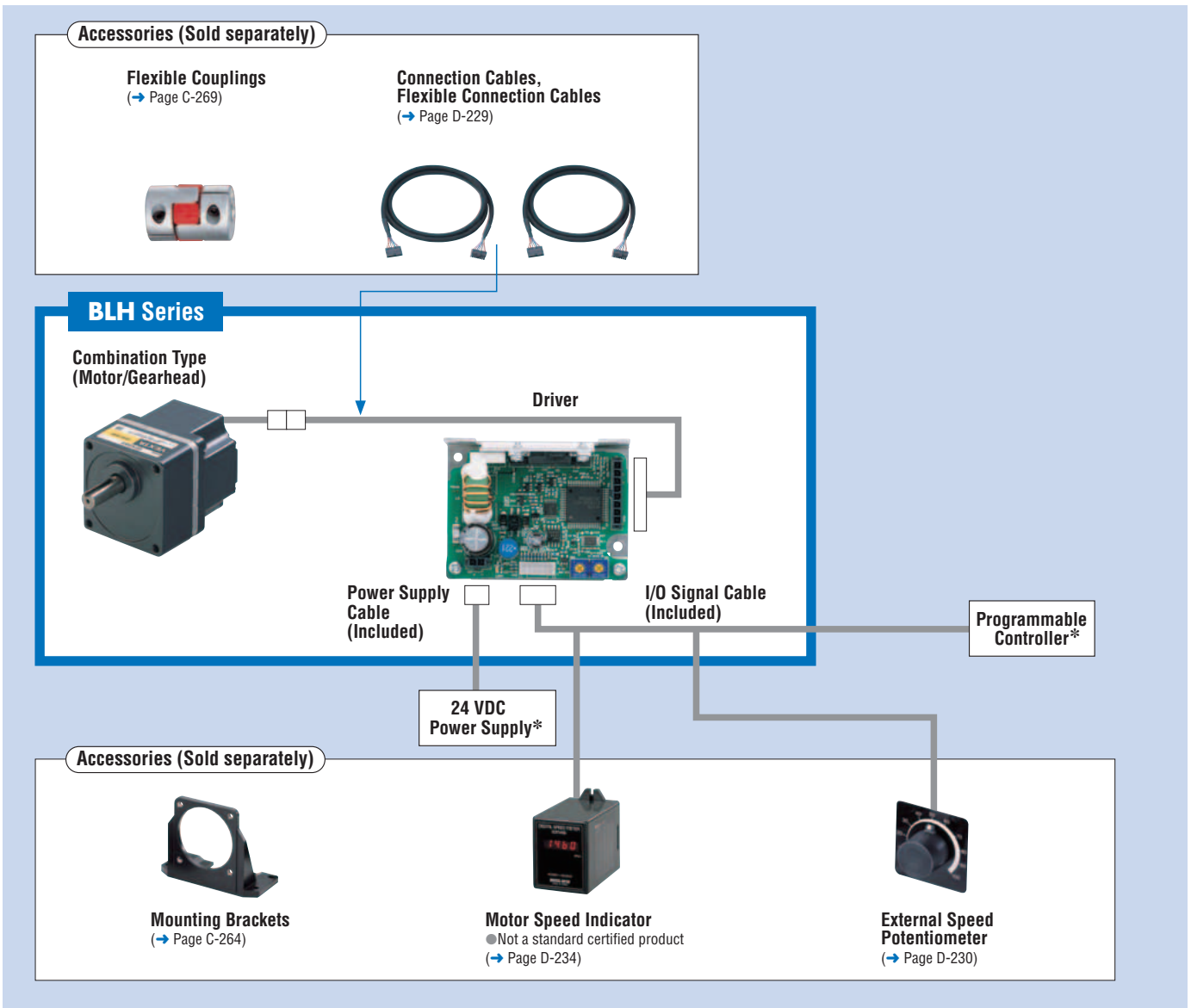
◇ High Permissible Torque

While the permissible torque of the parallel shaft gearhead saturates at high gear ratios, the hollow shaft flat gearhead enables the motor torque to be fully utilized.



[Frame Size 90 mm (3.54 in.)]

System Configuration



● Example of System Configuration

| BLH Series Combination Type – Parallel Shaft BLH450KC-30 | Sold Separately | | | | |
|---|---|---|---|-----------------------------------|---------------------------------------|
| | Connection Cable [1.5 m (4.9 ft.)] CC02BLH | Motor Speed Indicator SDM496 | External Speed Potentiometer PAVR-20KZ | Mounting Bracket SOL4M6 | Flexible Coupling MCL515F10 |
| | | | | | |

● The system configuration shown above is an example. Other combinations are available.

* Not supplied

Product Number Code

BLH 2 30 K C - 5 FR

① ② ③ ④ ⑤ ⑥ ⑦

| | | |
|---|---|---|
| ① | Series | BLH: BLH Series |
| ② | Motor Frame Size | 0: 42 mm (1.65 in.) 2: 60 mm (2.36 in.) 4: 80 mm (3.15 in.) 5: 90 mm (3.54 in.) |
| ③ | Output Power (W) | (Example) 30: 30 W (1/25 HP) |
| ④ | Power Supply Voltage | K: 24 VDC |
| ⑤ | C: Cable Type | |
| ⑥ | Gear Ratio/Shaft Type | Number: Gear ratio for combination types: 8 types from 5 to 200 Gear ratio for geared types: 7 types from 5 to 100 A: Round Shaft Type |
| ⑦ | Blank: Combination Type – Parallel Shaft Gearhead FR: Combination Type – Hollow Shaft Flat Gearhead | |

Product Line

Combination Type The combination type comes with the motor and its dedicated gearhead pre-assembled which simplifies installation in equipment. Motors and gearheads are also available separately to facilitate changes or repairs.

Geared Type The geared type has an integrated motor and gearhead. The combination of motor and gearhead cannot be changed.

Geared Type/Combination Type – Parallel Shaft Gearhead

| Type | Output Power | Model | Gear Ratio |
|------------------|----------------|--------------------|--|
| Geared Type | 15 W (1/50 HP) | BLH015K-□ | 5, 10, 15, 20, 30, 50, 100 |
| Combination Type | 30 W (1/25 HP) | BLH230KC-□ | 5, 10, 15, 20, 30, 50, 100, 200 |
| | 50 W (1/15 HP) | BLH450KC-□ | 5, 10, 15, 20, 30, 50, 100, 200 |
| | 100 W (1/8 HP) | BLH5100KC-□ | 5, 10, 15, 20, 30, 50, 100, 200 |

The following items are included in each product.
Motor, Driver, Gearhead, I/O Signal Cable, Power Supply Cable, Mounting Screws*, Parallel Key*, Operating Manual
*1 Only for combination type
*2 Only for the products with a key slot on the output shaft

Combination Type – Hollow Shaft Flat Gearhead

| Output Power | Model | Gear Ratio |
|----------------|----------------------|--|
| 30 W (1/25 HP) | BLH230KC-□FR | 5, 10, 15, 20, 30, 50, 100, 200 |
| 50 W (1/15 HP) | BLH450KC-□FR | 5, 10, 15, 20, 30, 50, 100, 200 |
| 100 W (1/8 HP) | BLH5100KC-□FR | 5, 10, 15, 20, 30, 50, 100, 200 |

The following items are included in each product.
Motor, Driver, Gearhead, I/O Signal Cable, Power Supply Cable, Mounting Screws, Parallel Key, Safety Cover (with screws), Operating Manual

Round Shaft Type

| Output Power | Model |
|----------------|--------------------|
| 15 W (1/50 HP) | BLH015K-A |
| 30 W (1/25 HP) | BLH230KC-A |
| 50 W (1/15 HP) | BLH450KC-A |
| 100 W (1/8 HP) | BLH5100KC-A |

The following items are included in each product.
Motor, Driver, I/O Signal Cable, Power Supply Cable, Operating Manual

Specifications

15 W (1/50 HP), 30 W (1/25 HP), 50 W (1/15 HP), 100 W (1/8 HP) (RoHS)



| Model | Geared Type/Combination Type – Parallel Shaft Gearhead | | | | | |
|---------------------------------|--|--|-------------------|--------------------|-------------|------------|
| | BLH015K-□ | BLH230KC-□ | BLH450KC-□ | BLH5100KC-□ | | |
| | Combination Type – Hollow Shaft Flat Gearhead | | | | | |
| Round Shaft Type | | | | | | |
| | BLH015K-A | BLH230KC-A | BLH450KC-A | BLH5100KC-A | | |
| Rated Output Power (Continuous) | W (HP) | 15 (1/50) | 30 (1/25) | 50 (1/15) | 100 (1/8) | |
| Power Source | Rated Voltage | 24 VDC | | | | |
| | Permissible Voltage Range | ±10% | | | | |
| | Rated Input Current | A | 1.0 | 2.1 | 3.1 | 6.0 |
| | Maximum Input Current | A | 2.4 | 3.7 | 5.4 | 9.8 |
| Rated Torque | N·m (oz·in) | 0.05 (7.1) | 0.12 (17) | 0.2 (28) | 0.4 (56) | |
| Starting Torque* | N·m (oz·in) | 0.075 (10.6) | 0.15 (21) | 0.24 (34) | 0.5 (71) | |
| Rated Speed | r/min | 3000 | | 2500 | | |
| Speed Control Range | r/min | 100~3000 | | | | |
| Round Shaft Type | Permissible Load Inertia J | ×10 ⁻⁴ kg·m ² (oz·in ²) | 0.5 (2.7) | 1.8 (9.8) | 3.3 (18.1) | 5.6 (31) |
| | | ×10 ⁻⁴ kg·m ² (oz·in ²) | 0.032 (0.175) | 0.087 (0.48) | 0.23 (1.26) | 0.61 (3.3) |
| Speed Regulation | Load | ±0.5% max. (0~Rated torque, at rated speed, at rated voltage, at normal ambient temperature) | | | | |
| | Voltage | ±0.5% max. (Rated voltage ±10%, at rated speed, with no load, at normal ambient temperature) | | | | |
| | Temperature | ±0.5% max. [0~+50°C (+32~+122°F), at rated speed, with no load, at rated voltage] | | | | |

*The time during which the starting torque is effective is no more than 5 seconds and at 2000 r/min or below.
● The values for each specification apply to the motor only.

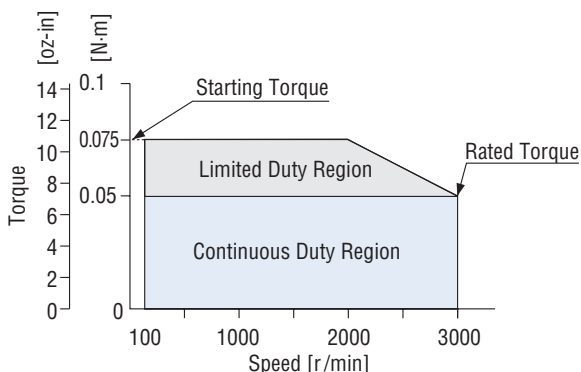
● Enter the gear ratio in the box (□) within the model name.

Speed – Torque Characteristics

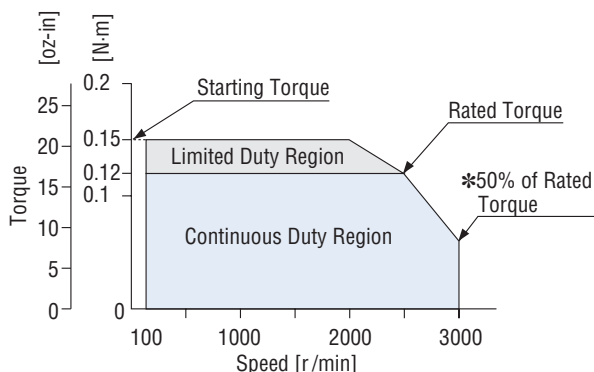
Continuous Duty Region: Continuous operation is possible in this region.

Limited Duty Region: This region is used primarily when accelerating. When a load that exceeds the rated torque is applied continuously for approximately five seconds, overload protection is activated and the motor coasts to a stop.

BLH015K-□/BLH015K-A

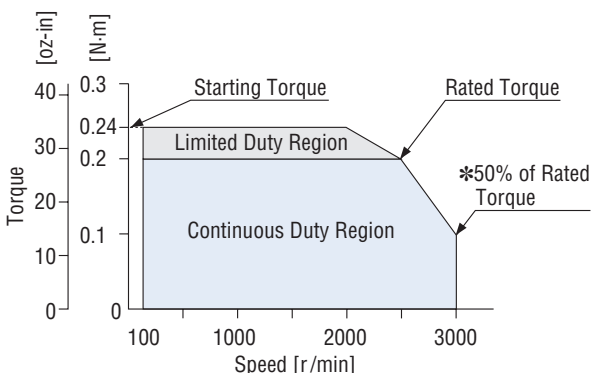


BLH230KC-□/BLH230KC-□FR/BLH230KC-A



* Value for 24 VDC with no connection cable

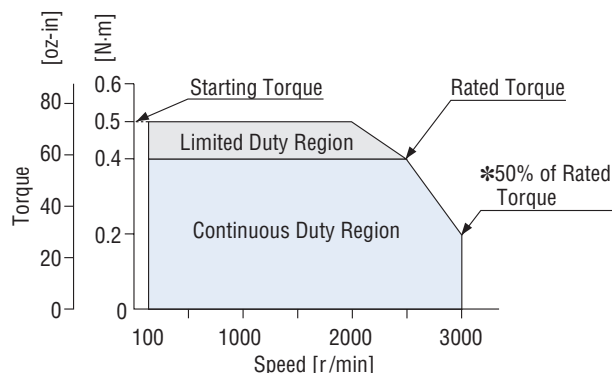
BLH450KC-□/BLH450KC-□FR/BLH450KC-A



* Value for 24 VDC with no connection cable

- For geared types and combination types, the values are for the motor only.
- Enter the gear ratio in the box (□) within the model name.

BLH5100KC-□/BLH5100KC-□FR/BLH5100KC-A



* Value for 24 VDC with no connection cable

Common Specifications

| Item | Specifications |
|----------------------------------|--|
| Speed Setting Method | Select one of the following methods: · Set using the internal speed potentiometer · Set using an accessory external speed potentiometer: PAVR-20KZ (20 kΩ, 1/4 W) (Sold separately) · Set using external DC voltage: 0~5 VDC, 1 mA or more (Input impedance 47 kΩ) |
| Acceleration/Deceleration Time | 0.5~10 sec. BLH015 : at 3000 r/min with no load BLH230, BLH450, BLH5100 : at 2500 r/min with no load (The actual speed may change by load condition.) A common value is set using the acceleration/deceleration time potentiometer. |
| Multi-Speed Setting Method | Switching between 2 speeds One speed is set by the internal speed potentiometer (1 pc), while another speed is set by an external speed potentiometer (accessory PAVR-20KZ) or by external DC voltage (0~5 VDC). |
| Input Signals | C-MOS negative logic input Operated by internal power supply Common to Start/Stop input, Run/Brake input, Direction of rotation input, Speed control method input and Alarm reset input |
| Output Signals | Open-collector output Operated by external power supply Use condition 26.4 VDC max., 10 mA max. Common to Alarm output and Speed output |
| Protective Functions* | When the following are activated, the motor will coast to a stop and the Alarm output will be OFF. The alarm LED on the driver will blink for the corresponding number of times shown in (). · Overload protection (2): Activated when the motor load exceeds rated torque for a minimum of 5 seconds. · Motor sensor error (3): Activated when the sensor wire inside the motor cable is disconnected during motor operation. · Overvoltage protection (4): Activated when the voltage applied to the driver exceeds 24 VDC by a minimum of approximately 15%, a gravitational operation is performed or a load exceeding the permissible load inertia is driven. · Undervoltage protection (5): Activated when the voltage applied to the driver falls below 24 VDC by a minimum of approximately 25%. · Overspeed protection (6): Activated when the motor speed exceeds 3500 r/min. |
| Maximum Cable Extension Distance | Motor/Driver Distance: 2 m (6.6 ft.) (when an accessory connection cable is used) |
| Time Rating | Continuous |

* With the **BLH** Series, the motor speed cannot be controlled in a gravitational operation or other application where the motor shaft is turned by the load. When a load exceeding the permissible load inertia is driven or a gravitational operation is performed, the overvoltage protective function will be activated and the motor will coast to a stop.

General Specifications

| Item | Motor | Driver | |
|-----------------------|---|--|------|
| Insulation Resistance | 100 MΩ or more when 500 VDC megger is applied between the windings and the case after continuous operation under normal ambient temperature and humidity. | 100 MΩ or more when 500 VDC megger is applied between the power supply terminal and heat sink after continuous operation under normal ambient temperature and humidity. | |
| Dielectric Strength | Sufficient to withstand 0.5 kVAC at 50 Hz applied between the windings and the case for 1 minute after continuous operation under normal ambient temperature and humidity. | Sufficient to withstand 0.5 kVAC at 50 Hz applied between the power supply terminal and heat sink for 1 minute after continuous operation under normal ambient temperature and humidity. | |
| Temperature Rise | 50°C (90°F) or less in the windings, and 40°C (72°F) or less in the case*1, as measured by the thermocouple method after continuous operation under normal ambient temperature and humidity. | 50°C (90°F) or less in the heat sink, as measured by the thermocouple method after continuous operation under normal ambient temperature and humidity. | |
| Operating Environment | Ambient Temperature | 0~+50°C (+32~+122°F) (non-freezing) | |
| | Ambient Humidity | 85% or less (non-condensing) | |
| | Altitude | Up to 1000 m (3300 ft.) above sea level | |
| | Atmosphere | No corrosive gases or dust. Cannot be used in a radioactive area, magnetic field, vacuum or other special environment | |
| Vibration | Not subject to continuous vibration or excessive impact In conformance with JIS C 60068-2-6, "Sine-wave vibration test method" Frequency range: 10~55 Hz Pulsating amplitude: 0.15 mm (0.006 in.) Sweep direction: 3 directions (X, Y, Z) Number of sweeps: 20 times | | |
| | | | |
| Storage Condition*2 | Ambient Temperature | -25~+70°C (-13~+158°F) (non-freezing) | |
| | Ambient Humidity | 85% or less (non-condensing) | |
| | Altitude | Up to 3000 m (10000 ft.) above sea level | |
| Thermal Class | UL/CSA standards: 105 (A), EN standards: 120 (E) | - | |
| Degree of Protection | 15 W (1/50 HP) | IP40 | IP00 |
| | 30 W (1/25 HP), 50 W (1/15 HP), 100 W (1/8 HP) | IP65 (Excluding the mounting surface of the round shaft type and connectors) | |

*1 For round shaft types, please attach to the heat radiation plate (material: aluminum) of the following sizes to maintain a maximum motor case temperature of 90°C (194°F).
(Except for **BLH015K-A**)

BLH230KC-A: 115×115 mm (4.53×4.53 in.), 5 mm (0.20 in.) thick

BLH450KC-A: 135×135 mm (5.31×5.31 in.), 5 mm (0.20 in.) thick

BLH5100KC-A: 200×200 mm (7.87×7.87 in.), 5 mm (0.20 in.) thick

*2 The storage condition applies to a short period such as a period during transportation.

Note

● Do not measure insulation resistance or perform the dielectric strength test while the motor and driver are connected.

Gearmotor – Torque Table of Geared Type/Combination Type

Geared Type/Combination Type – Parallel Shaft Gearhead

Unit = N·m (lb-in)

| Model | Gear Ratio | 5 | 10 | 15 | 20 | 30 | 50 | 100 | 200 |
|--------------------|----------------|-------------|------------|------------|------------|------------|------------|----------|----------|
| | | Motor Speed | 20~500 | 10~250 | 6.7~167 | 5~125 | 3.3~83 | 2~50 | 1~25 |
| BLH015K-□ | 100~2500 r/min | 600 | 300 | 200 | 150 | 100 | 60 | 30 | 15 |
| | 3000 r/min | 600 | 300 | 200 | 150 | 100 | 60 | 30 | 15 |
| BLH230KC-□ | 100~2500 r/min | 0.23 (2.0) | 0.45 (3.9) | 0.68 (6.0) | 0.86 (7.6) | 1.3 (11.5) | 2 (17.7) | 2 (17.7) | - |
| | 3000 r/min | 0.54 (4.7) | 1.1 (9.7) | 1.6 (14.1) | 2.2 (19.4) | 3.1 (27) | 5.2 (46) | 6 (53) | 6 (53) |
| BLH450KC-□ | 100~2500 r/min | 0.27 (2.3) | 0.54 (4.7) | 0.81 (7.1) | 1.1 (9.7) | 1.5 (13.2) | 2.6 (23) | 5.2 (46) | 6 (53) |
| | 3000 r/min | 0.90 (7.9) | 1.8 (15.9) | 2.7 (23) | 3.6 (31) | 5.2 (46) | 8.6 (76) | 16 (141) | 16 (141) |
| BLH5100KC-□ | 100~2500 r/min | 0.45 (3.9) | 0.90 (7.9) | 1.4 (12.3) | 1.8 (15.9) | 2.6 (23) | 4.3 (38) | 8.6 (76) | 16 (141) |
| | 3000 r/min | 1.8 (15.9) | 3.6 (31) | 5.4 (47) | 7.2 (63) | 10.3 (91) | 17.2 (152) | 30 (260) | 30 (260) |

● A colored background (□) indicates gear shaft rotation in the same direction as the motor shaft, while the others rotate in the opposite direction.

Combination Type – Hollow Shaft Flat Gearhead

Unit = N·m (lb-in)

| Model | Gear Ratio | 5 | 10 | 15 | 20 | 30 | 50 | 100 | 200 |
|----------------------|----------------|-------------|------------|------------|------------|------------|----------|-----------|-----------|
| | | Motor Speed | 20~500 | 10~250 | 6.7~167 | 5~125 | 3.3~83 | 2~50 | 1~25 |
| BLH230KC-□FR | 100~2500 r/min | 600 | 300 | 200 | 150 | 100 | 60 | 30 | 15 |
| | 3000 r/min | 0.48 (4.2) | 1.0 (8.8) | 1.5 (13.2) | 2.0 (17.7) | 3.1 (27) | 5.1 (45) | 10.2 (90) | 17 (150) |
| BLH450KC-□FR | 100~2500 r/min | 0.24 (2.1) | 0.51 (4.5) | 0.77 (6.8) | 1.0 (8.8) | 1.5 (13.2) | 2.6 (23) | 5.1 (45) | 10.2 (90) |
| | 3000 r/min | 0.85 (7.5) | 1.7 (15) | 2.6 (23) | 3.4 (30) | 5.1 (45) | 8.5 (75) | 17 (150) | 34 (300) |
| BLH5100KC-□FR | 100~2500 r/min | 0.43 (3.8) | 0.85 (7.5) | 1.3 (11.5) | 1.7 (15) | 2.6 (23) | 4.3 (38) | 8.5 (75) | 17 (150) |
| | 3000 r/min | 1.7 (15) | 3.4 (30) | 5.1 (45) | 6.8 (60) | 10.2 (90) | 17 (150) | 34 (300) | 68 (600) |

● The flat gearhead rotates in the opposite direction to the motor when viewed from the front of the gearhead. It rotates in the same direction as the motor when viewed from the rear (motor mounting surface) of the gearhead. Rotation direction of the hollow shaft flat gearhead → Page D-243

● Enter the gear ratio in the box (□) within the model name.

Permissible Overhung Load and Permissible Thrust Load

Geared Type/Combination Type – Parallel Shaft Gearhead

| Model | Gear Ratio | Permissible Overhung Load | | | | Permissible Thrust Load | |
|--------------------|-----------------------------------|---------------------------------|------|---------------------------------|-----|-------------------------|-----|
| | | 10 mm (0.39 in.) from shaft end | | 20 mm (0.79 in.) from shaft end | | N | lb. |
| | | N | lb. | N | lb. | | |
| BLH015K-□ | 5, 10, 15, 20, 30, 50, 100 | 50 | 11.2 | – | – | 30 | 6.7 |
| BLH230KC-□ | 5 | 100 | 22 | 150 | 33 | 40 | 9 |
| | 10, 15, 20 | 150 | 33 | 200 | 45 | | |
| | 30, 50, 100, 200 | 200 | 45 | 300 | 67 | | |
| BLH450KC-□ | 5 | 200 | 45 | 250 | 56 | 100 | 22 |
| | 10, 15, 20 | 300 | 67 | 350 | 78 | | |
| | 30, 50, 100, 200 | 450 | 101 | 550 | 123 | | |
| BLH5100KC-□ | 5 | 300 | 67 | 400 | 90 | 150 | 33 |
| | 10, 15, 20 | 400 | 90 | 500 | 112 | | |
| | 30, 50, 100, 200 | 500 | 112 | 650 | 146 | | |

Combination Type – Hollow Shaft Flat Gearhead

| Model | Gear Ratio | Permissible Overhung Load | | | | Permissible Thrust Load | |
|----------------------|---------------------------------|--|-----|--|-----|-------------------------|-----|
| | | 10 mm (0.39 in.) from mounting surface of gearhead | | 20 mm (0.79 in.) from mounting surface of gearhead | | N | lb. |
| | | N | lb. | N | lb. | | |
| BLH230KC-□FR | 5, 10 | 450 | 101 | 370 | 83 | 200 | 45 |
| | 15, 20, 30, 50, 100, 200 | 500 | 112 | 400 | 90 | | |
| BLH450KC-□FR | 5, 10 | 800 | 180 | 660 | 148 | 400 | 90 |
| | 15, 20, 30, 50, 100, 200 | 1200 | 270 | 1000 | 220 | | |
| BLH5100KC-□FR | 5, 10 | 900 | 200 | 770 | 173 | 500 | 112 |
| | 15, 20 | 1300 | 290 | 1110 | 240 | | |
| | 30, 50, 100, 200 | 1500 | 330 | 1280 | 280 | | |

● The permissible overhung load can also be calculated with a formula. Permissible overhung load calculation → Page D-242

Round Shaft Type

| Model | Permissible Overhung Load | | | | Permissible Thrust Load |
|--------------------|---------------------------------|------|---------------------------------|-----|---|
| | 10 mm (0.39 in.) from shaft end | | 20 mm (0.79 in.) from shaft end | | |
| | N | lb. | N | lb. | |
| BLH015K-A | 50 | 11.2 | – | – | The permissible thrust load should not be greater than half the motor mass. |
| BLH230KC-A | 70 | 15.7 | 100 | 22 | |
| BLH450KC-A | 120 | 27 | 140 | 31 | |
| BLH5100KC-A | 160 | 36 | 170 | 38 | |

Permissible Load Inertia J of Geared Type/Combination Type

Geared Type/Combination Type – Parallel Shaft Gearhead

Unit = $\times 10^{-4}$ kg·m² (oz·in²)

| Model | Gear Ratio | 5 | 10 | 15 | 20 | 30 | 50 | 100 | 200 | |
|--------------------|--|------------------|------------|------------|------------|------------|-------------|--------------|---------------|----------------|
| | | BLH015K-□ | | 3 (16) | 14 (77) | 30 (164) | 50 (270) | 120 (660) | 300 (1640) | 600 (3300) |
| BLH230KC-□ | When instantaneous stop or instantaneous bi-directional operation is performed | | 0.4 (2.2) | 1.7 (9.3) | 3.9 (21) | 7.0 (38) | 15.7 (86) | 43.7 (240) | 43.7 (240) | – |
| | | | 12 (66) | 50 (270) | 110 (600) | 200 (1090) | 370 (2000) | 920 (5000) | 2500 (13700) | 5000 (27000) |
| BLH450KC-□ | When instantaneous stop or instantaneous bi-directional operation is performed | | 1.55 (8.5) | 6.2 (34) | 14.0 (77) | 24.8 (136) | 55.8 (310) | 155 (850) | 155 (850) | 155 (850) |
| | | | 22 (120) | 95 (520) | 220 (1200) | 350 (1910) | 800 (4400) | 2200 (12000) | 6200 (34000) | 12000 (66000) |
| BLH5100KC-□ | When instantaneous stop or instantaneous bi-directional operation is performed | | 5.5 (30) | 22 (120) | 49.5 (270) | 88 (480) | 198 (1080) | 550 (3000) | 550 (3000) | 550 (3000) |
| | | | 45 (250) | 190 (1040) | 420 (2300) | 700 (3800) | 1600 (8800) | 4500 (25000) | 12000 (66000) | 25000 (137000) |

Combination Type – Hollow Shaft Flat Gearhead

Unit = $\times 10^{-4}$ kg·m² (oz·in²)

| Model | Gear Ratio | 5 | 10 | 15 | 20 | 30 | 50 | 100 | 200 | |
|----------------------|--|---------------------|------------|------------|------------|------------|-------------|--------------|---------------|----------------|
| | | BLH230KC-□FR | | 12 (66) | 50 (270) | 110 (600) | 200 (1090) | 370 (2000) | 920 (5000) | 2500 (13700) |
| BLH450KC-□FR | When instantaneous stop or instantaneous bi-directional operation is performed | | 1.55 (8.5) | 6.2 (34) | 14.0 (77) | 24.8 (136) | 55.8 (310) | 155 (850) | 155 (850) | 155 (850) |
| | | | 22 (120) | 95 (520) | 220 (1200) | 350 (1910) | 800 (4400) | 2200 (12000) | 6200 (34000) | 12000 (66000) |
| BLH5100KC-□FR | When instantaneous stop or instantaneous bi-directional operation is performed | | 5.5 (30) | 22 (120) | 49.5 (270) | 88 (480) | 198 (1080) | 550 (3000) | 550 (3000) | 550 (3000) |
| | | | 45 (250) | 190 (1040) | 420 (2300) | 700 (3800) | 1600 (8800) | 4500 (25000) | 12000 (66000) | 25000 (137000) |

● Enter the gear ratio in the box (□) within the model name.

Dimensions Unit = mm (in.)

● Mounting screws are included with the combination type. Dimensions for mounting screws → Page D-242

● 15 W (1/50 HP)

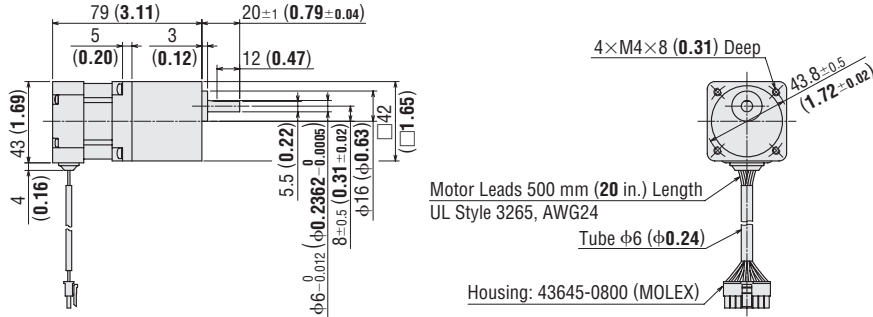
◇ Geared Type

BLH015K-□

Geared Motor: BLHM015K-□

Mass: 0.5 kg (1.10 lb.)

DXF A428



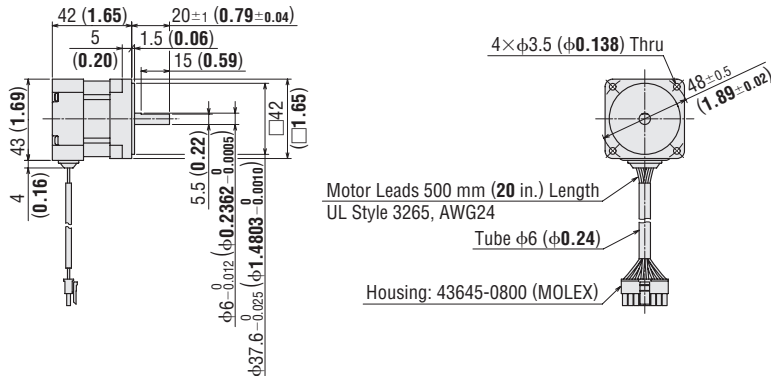
◇ Round Shaft Type

BLH015K-A

Motor: BLHM015K-A

Mass: 0.25 kg (0.55 lb.)

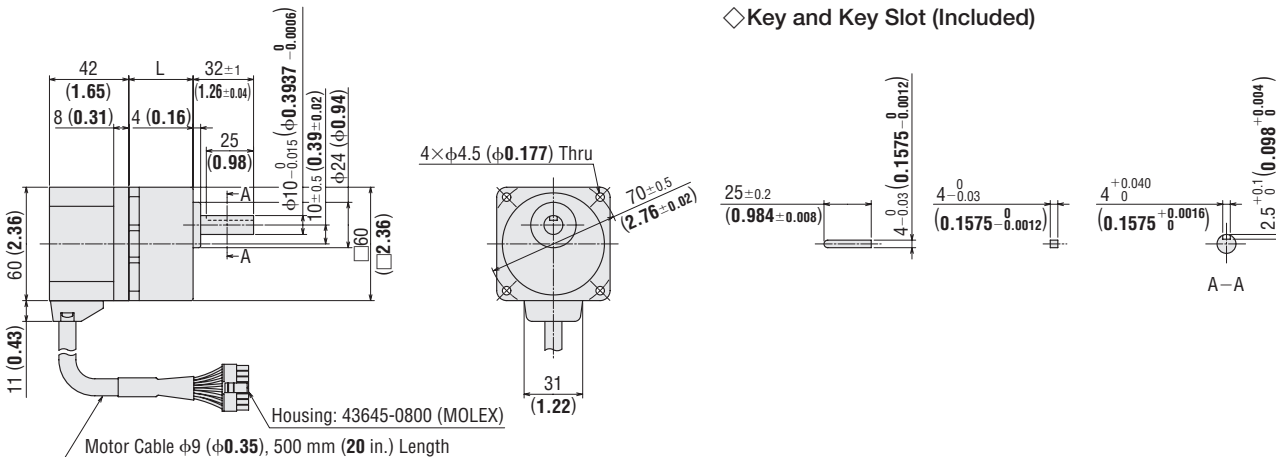
DXF A429



● 30 W (1/25 HP)

◇ Motor/Parallel Shaft Gearhead

| Model | Motor Model | Gearhead Model | Gear Ratio | L | Mass kg (lb.) | DXF |
|------------|---------------|----------------|------------|-----------|---------------|--------|
| BLH230KC-□ | BLHM230KC-GFS | GFS2G□ | 5~20 | 34 (1.34) | 1.0 (2.2) | A430AU |
| | | | 30~100 | 38 (1.50) | | A430BU |
| | | | 200 | 43 (1.69) | A430CU | |



◇ Key and Key Slot (Included)

● Enter the gear ratio in the box (□) within the model name.

◇ Motor/Hollow Shaft Flat Gearhead

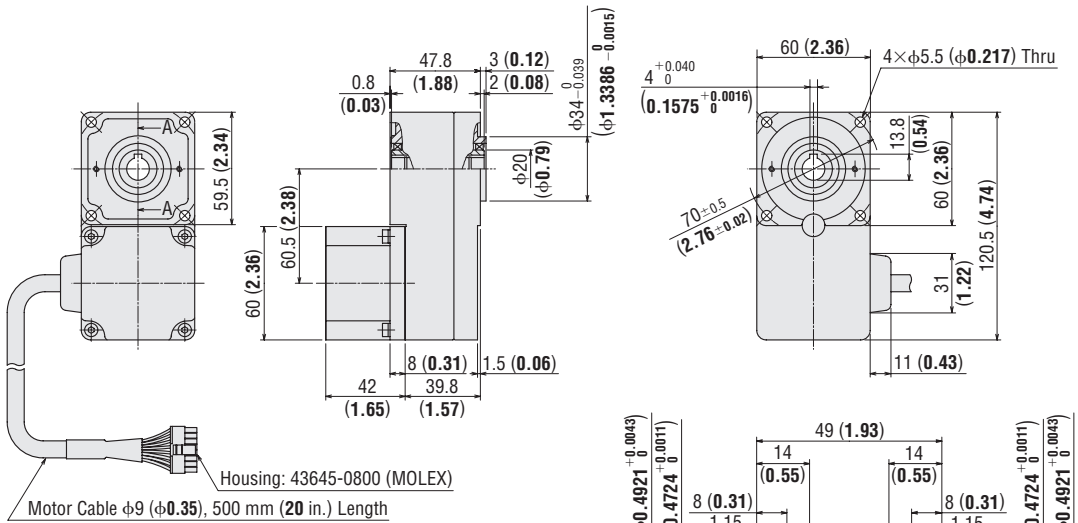
BLH230KC-□FR

Motor: BLHM230KC-GFS

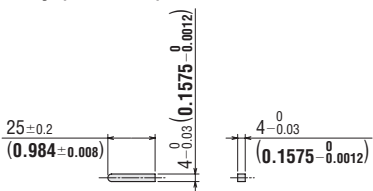
Gearhead: GFS2G□FR

Mass: 1.3 kg (2.9 lb.) (Including gearhead)

DXF A431U



◇ Key (Included)



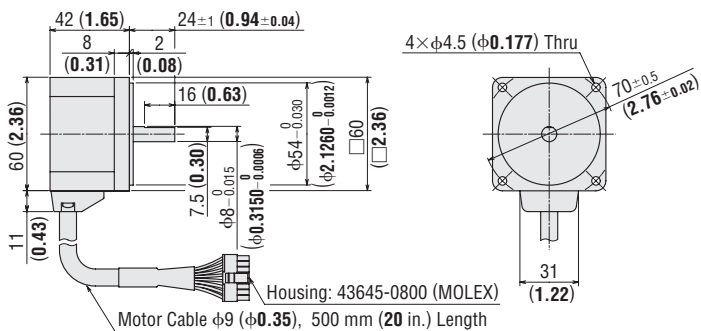
◇ Round Shaft Type

BLH230KC-A

Motor: BLHM230KC-A

Mass: 0.5 kg (1.1 lb.)

DXF A432U



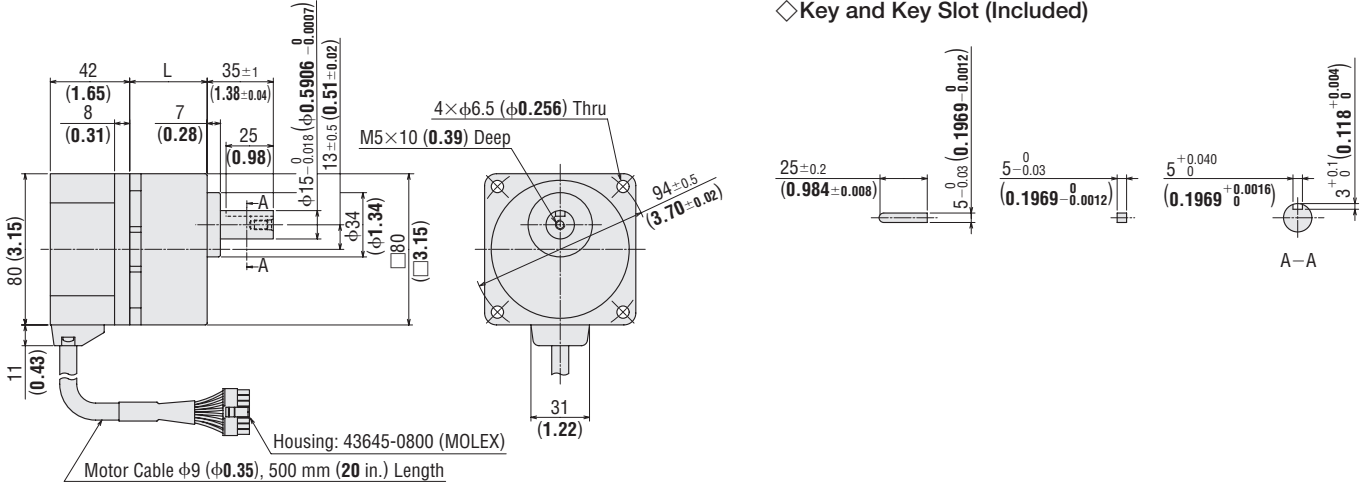
● Enter the gear ratio in the box (□) within the model name.

● 50 W (1/15 HP)

◇ Motor/Parallel Shaft Gearhead

| Model | Motor Model | Gearhead Model | Gear Ratio | L | Mass kg (lb.) | DXF |
|--------------------|---------------|----------------|---------------|-----------|---------------|--------|
| BLH450KC -□ | BLHM450KC-GFS | GFS4G□ | 5~20 | 41 (1.61) | 1.8 (4.0) | A433AU |
| | | | 30~100 | 46 (1.81) | | A433BU |
| | | | 200 | 51 (2.01) | | A433CU |

◇ Key and Key Slot (Included)



◇ Motor/Hollow Shaft Flat Gearhead

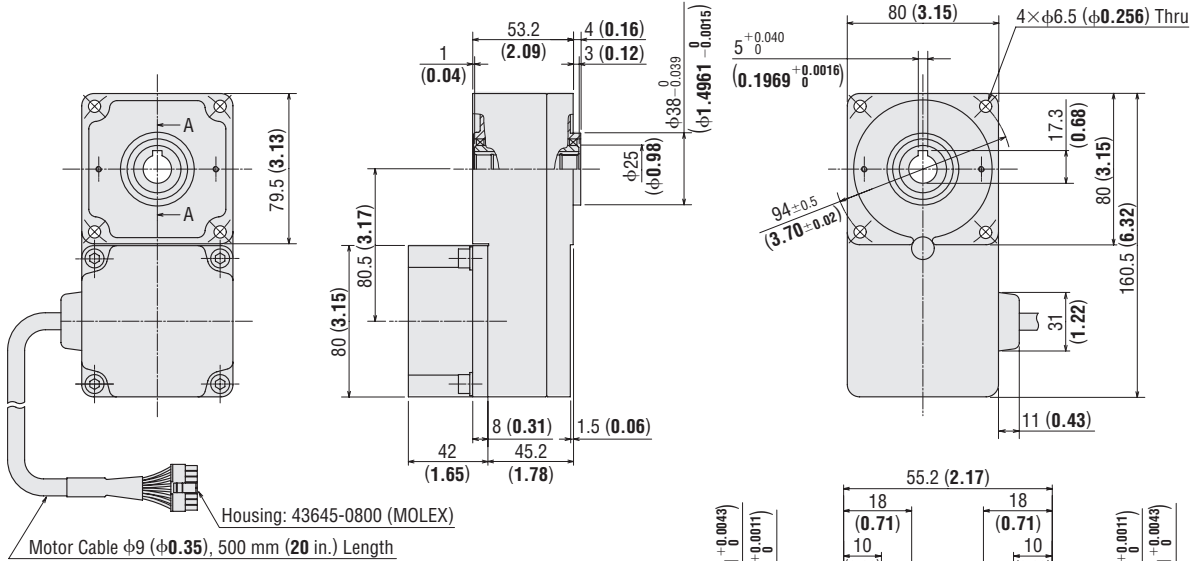
BLH450KC-□FR

Motor: BLHM450KC-GFS

Gearhead: GFS4G□FR

Mass: 2.4 kg (5.3 lb.) (Including gearhead)

DXF A434U



◇ Key (Included)



● Enter the gear ratio in the box (□) within the model name.

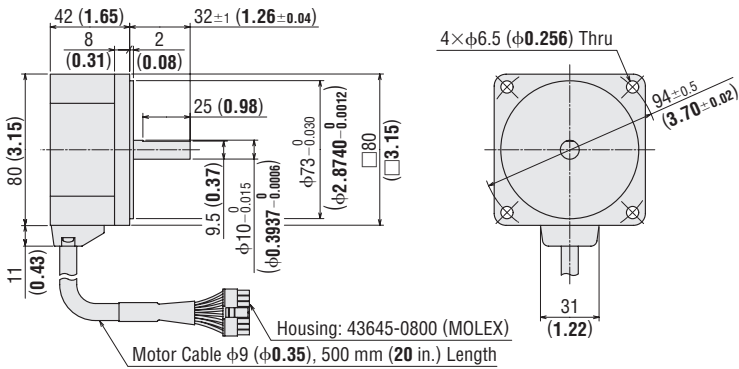
Brushless Motors/AC Speed Control Motors

◇ Round Shaft Type

BLH450KC-A

Motor: BLHM450KC-A
Mass: 0.8 kg (1.76 lb.)

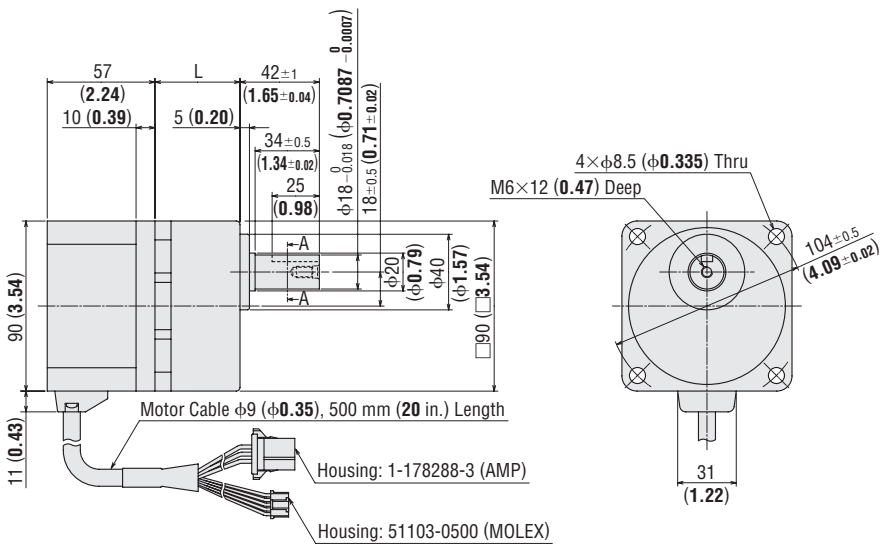
DXF A435U



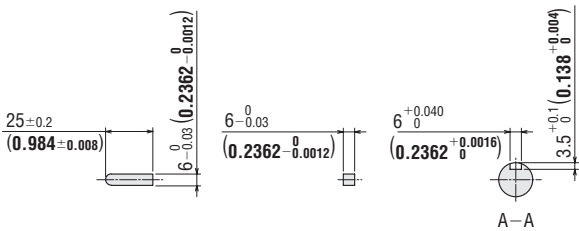
● 100 W (1/8 HP)

◇ Motor/Parallel Shaft Gearhead

| Model | Motor Model | Gearhead Model | Gear Ratio | L | Mass kg (lb.) | DXF |
|-------------|----------------|----------------|------------|-----------|---------------|--------|
| BLH5100KC-□ | BLHM5100KC-GFS | GFS5G□ | 5~20 | 45 (1.77) | 2.9 (6.4) | A436AU |
| | | | 30~100 | 58 (2.28) | | A436BU |
| | | | 200 | 64 (2.52) | | A436CU |



◇ Key and Key Slot (Included)



● Enter the gear ratio in the box (□) within the model name.

◇ Motor/Hollow Shaft Flat Gearhead

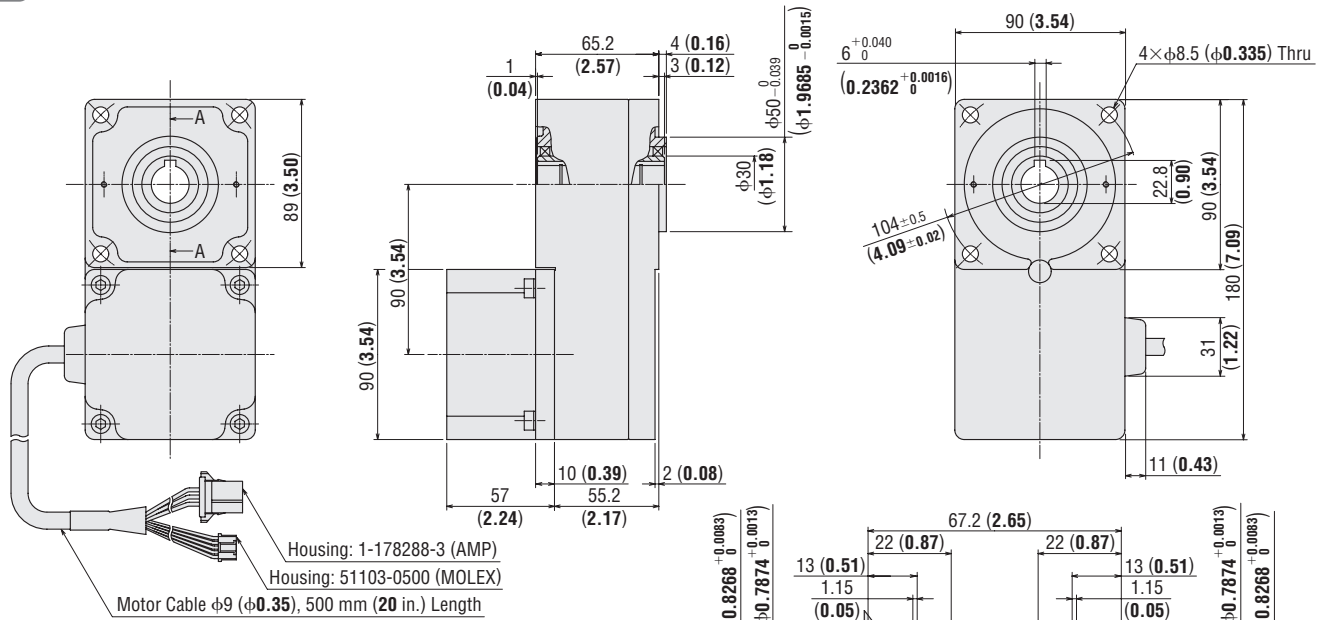
BLH5100KC-□FR

Motor: BLHM5100KC-GFS

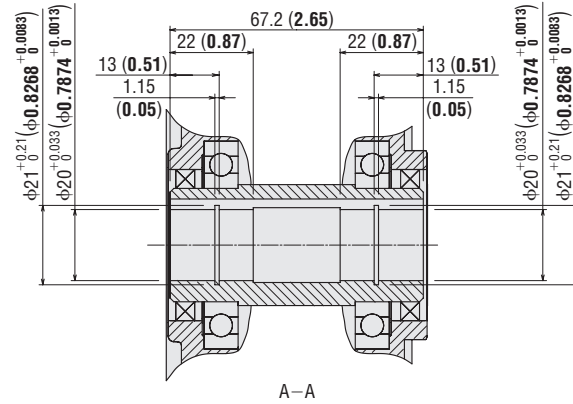
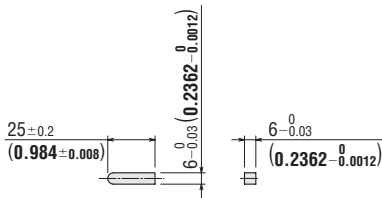
Gearhead: GFS5G□FR

Mass: 3.6 kg (7.9 lb.) (Including gearhead)

DXF A437U



◇ Key (Included)



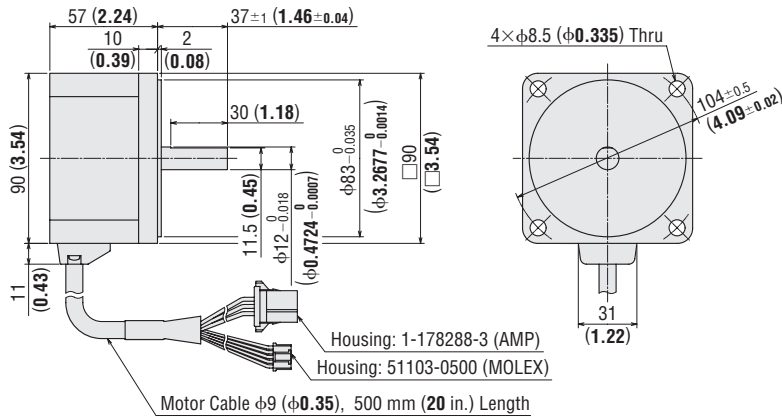
◇ Round Shaft Type

BLH5100KC-A

Motor: BLHM5100KC-A

Mass: 1.4 kg (3.1 lb.)

DXF A438U



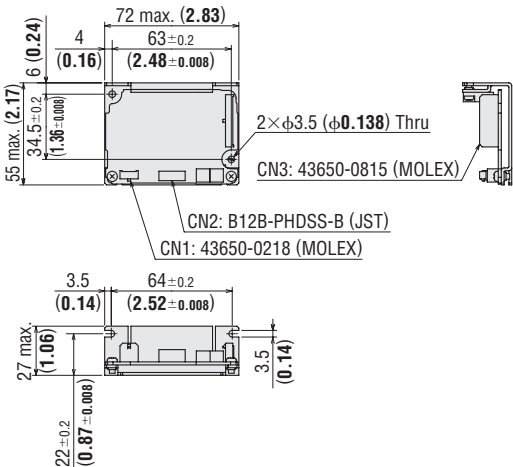
● Enter the gear ratio in the box (□) within the model name.

◇ Driver

BLHD15K, BLHD30K, BLHD50K

Mass: 0.1 kg (0.22 lb.)

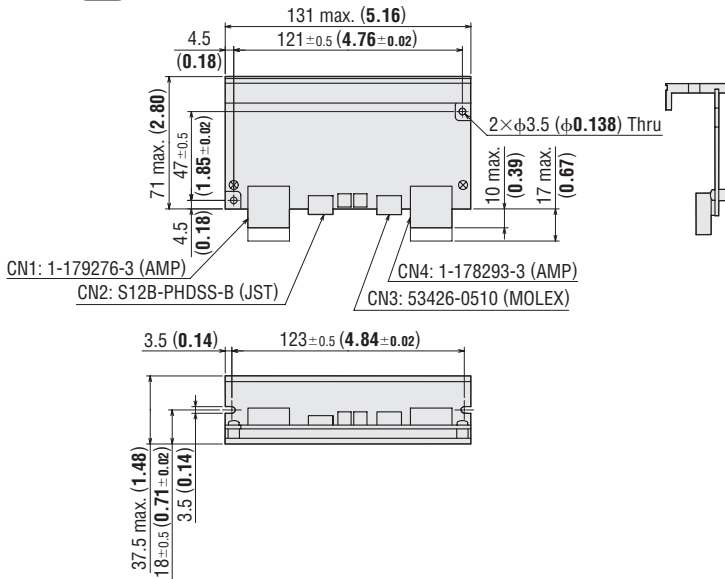
DXF A439



BLHD100K

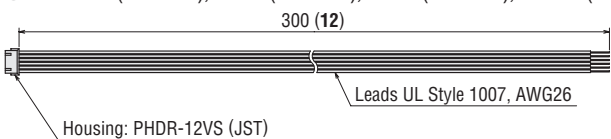
Mass: 0.3 kg (0.66 lb.)

DXF A440



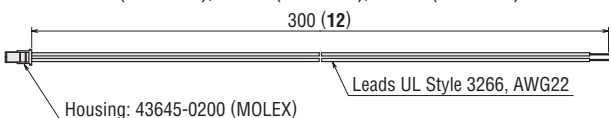
◇ Driver Input/Output Signal Cable (Included)

- For 15 W (1/50 HP), 30 W (1/25 HP), 50 W (1/15 HP), 100 W (1/8 HP)

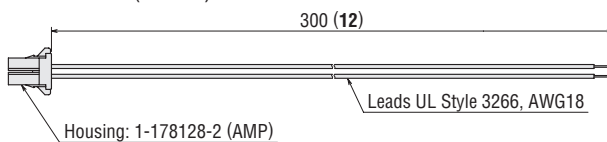


◇ Driver Power Supply Cable (Included)

- For 15 W (1/50 HP), 30 W (1/25 HP), 50 W (1/15 HP)



- For 100 W (1/8 HP)



Introduction

BX

BLF

AC Input

BLE

BLU

BLH

DC Input

BIV

Brushless Motors

BHF

AC Speed Control Motors

FE100/
FE200

ES01/
ES02

US

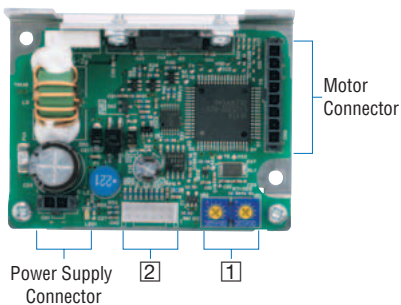
Accessories

Installation

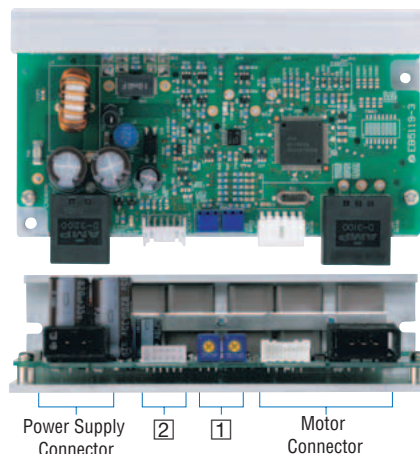
Connection and Operation

Names and Functions of Driver Parts

◇ 15 W (1/50 HP), 30 W (1/25 HP), 50 W (1/15 HP)



◇ 100 W (1/8 HP)



1 Speed Potentiometers

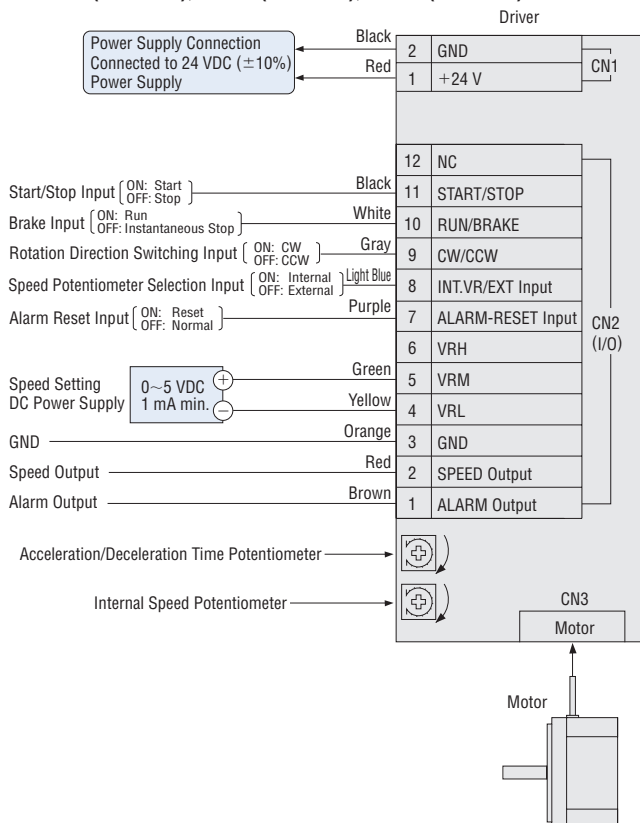
| Indication | Potentiometer Name | Function |
|------------|--|--|
| VR1 | Internal Speed Potentiometer | Set and adjust the operating speed of the motor. |
| VR2 | Acceleration/Deceleration Time Potentiometer | Set a common acceleration/deceleration time in the range of 0.5 to 10 seconds. |

2 Input/Output Signals

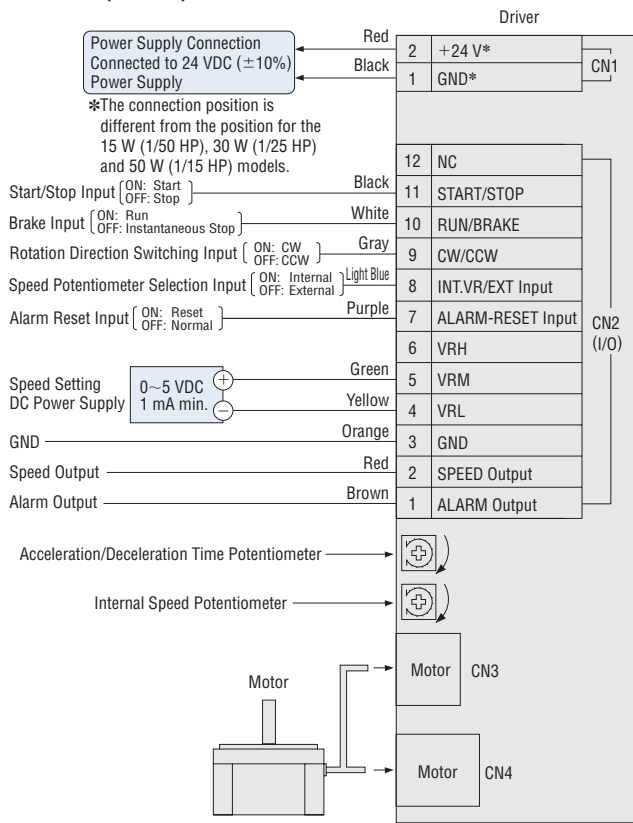
| Indication | Input/Output | Pin No. | Function |
|------------|-------------------|---------|-------------------|
| CN2 | Output | 1 | ALARM Output |
| | | 2 | SPEED Output |
| | I/O Signal Common | 3 | GND |
| | | 4 | VRL Input |
| | Analog Input | 5 | VRM Input |
| | | 6 | VRH Input |
| | Input | 7 | ALARM-RESET Input |
| | | 8 | INT.VR/EXT Input |
| | | 9 | CW/CCW Input |
| | | 10 | RUN/BRAKE Input |
| | | 11 | START/STOP Input |
| | | 12 | NC |

Connection Diagrams

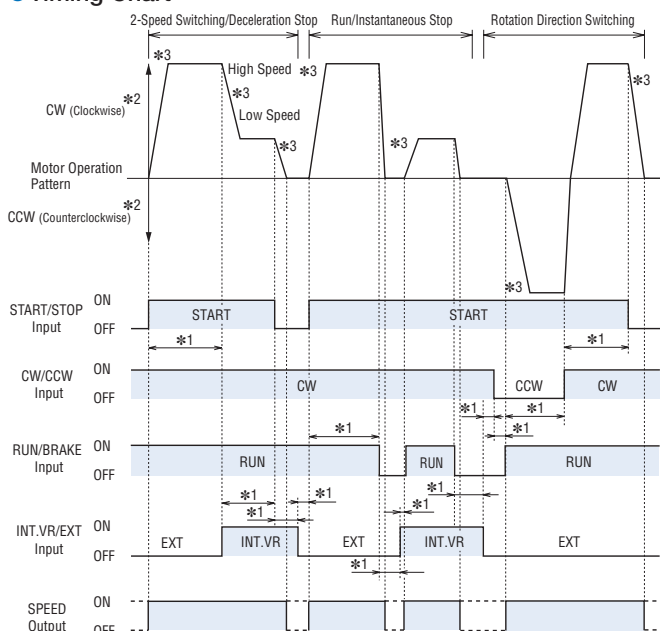
◇ 15 W (1/50 HP), 30 W (1/25 HP), 50 W (1/15 HP)



◇ 100 W (1/8 HP)



● Timing Chart



*1 At least 10 ms

*2 The direction applies to the motor alone. The specific direction will vary depending on the gear ratio.

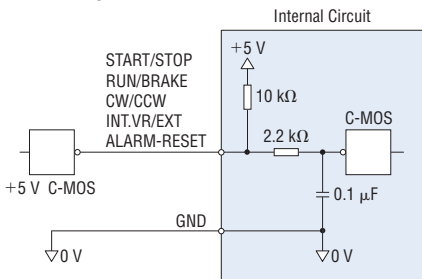
*3 The motor will start over the time set by the acceleration/deceleration time potentiometer.

● Input/Output Signal Circuits

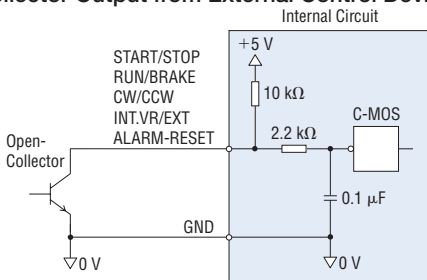
◇ Input Circuit

The driver's signal inputs use the C-MOS input method. The signal status indicates a voltage level of 0 to 0.5 VDC when the signal is ON, or 4 to 5 VDC when it is OFF.

● 5 VDC C-MOS Output from External Control Device

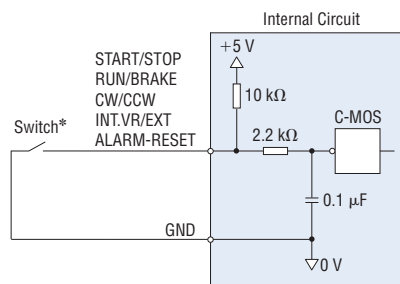


● Open-Collector Output from External Control Device



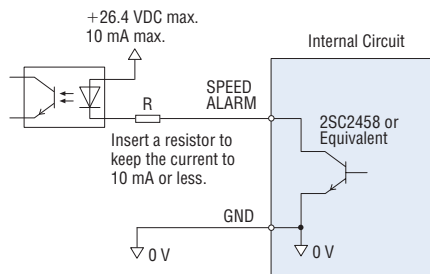
- All operations of run/stop, instantaneous stop and rotation direction switching operations can be controlled with the START/STOP, RUN/BRAKE and CW/CCW signals.
- If both the START/STOP signal and the RUN/BRAKE signal are set to ON, the motor rotates. The motor will accelerate over the time set by the acceleration/deceleration time potentiometer. During this time, if the CW/CCW signal is set to ON, the motor rotates clockwise as viewed from the shaft end of the motor; if the CW/CCW signal is set to OFF, the motor rotates in the counterclockwise direction.
- If the RUN/BRAKE signal is set to OFF while the START/STOP signal is ON, the motor stops instantaneously. If the START/STOP signal is set to OFF while the RUN/BRAKE signal is ON, the motor will stop with deceleration time set by the acceleration/deceleration time potentiometer.
- The duration of each input signal must be 10 ms or longer.
- Do not operate (turn ON/OFF) two or more input signals simultaneously. There must be a minimum interval of 10 ms before another input signal can be operated after an input signal has been operated.

● Switch Connection



* Use a switch capable of opening/closing the current flow at 5 VDC, 1 mA maximum.

◇ Output Circuit



◇ SPEED Output

The system outputs pulse signals (with a width of 0.3 ms) at a rate of 30 pulses per rotation of the motor output shaft synchronized with the motor operation.

You can measure the SPEED output frequency and calculate the motor speed.

$$\text{Motor speed (r/min)} = \frac{\text{SPEED output frequency [Hz]}}{30} \times 60$$

$$\text{SPEED output frequency (Hz)} = \frac{1}{T}$$



◇ ALARM Output

The ALARM output is normally ON and goes OFF when there is an alarm.

◇ ALARM-RESET

When the motor is stopped, setting this signal ON, then returning it to OFF resets the alarm.

Please return either the START/STOP input or the RUN/BRAKE input to OFF before inputting the ALARM-RESET. The ALARM-RESET is not accepted if both these signals are ON.

Notes

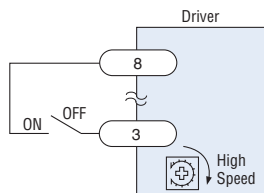
- Output signal is open-collector output, so an external power supply (Vcc) is required.
- Use a power supply of no more than 26.4 VDC and connect a limit resistor (R) so that the output current does not exceed 10 mA. When using neither the speed output function nor the alarm output function, this connection is not required.

● Speed Setting Method

◇ Internal Speed Potentiometer

When INT.VR/EXT input is set to ON, the speed can be set with the internal speed potentiometer.

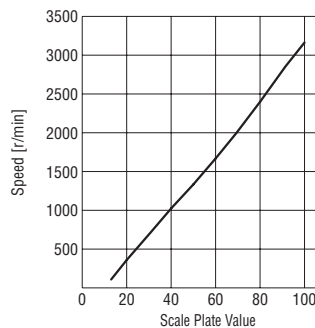
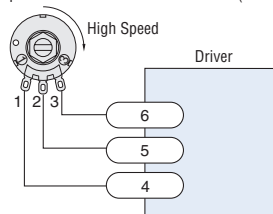
There is no need for this connection when the internal speed potentiometer is not used.



◇ External Speed Potentiometer (Sold separately)

When separating the motor speed setting from the driver, connect the accessory external speed potentiometer as follows.

External Speed Potentiometer **PAVR-20KZ** (Sold separately)

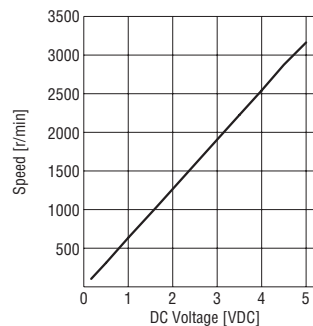
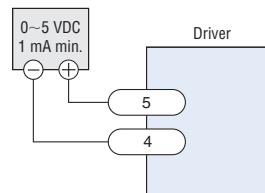


External Speed Potentiometer Scale-Speed Characteristics (Representative values)

◇ External DC Voltage

When setting the motor speed with an external DC voltage, do so in the following manner.

External DC Power Supply



External DC Voltage-Speed Characteristics (Representative values)

Note

- The speed in the graph represents the speed of a motor alone. The gearhead output shaft speed of the combination type or geared type is calculated by dividing the graph speed by the gear ratio.

● Multi-Motor Control

Two or more sets of motors and drivers can be operated at the same speed by using a DC power supply or an external speed potentiometer.

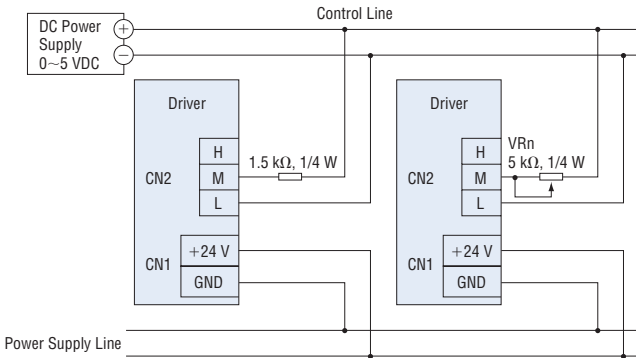
◇ When External DC Power Supply is Used

- Use a DC power supply with current capacity equal to or greater than the value obtained by the following expression.

Current capacity (N is the number of drivers) $I = 1 \times N$ (mA)

Example: When two drivers are used, current capacity should be at least 2 mA.

- Connect the other input/output lines to each driver individually.
- Motor speed differences can be adjusted by connecting a resistor of 1.5 kΩ, 1/4 W to the M terminal of the first driver, and a 5 kΩ, 1/4 W variable resistor (VRn) to the M terminals of the other drivers.



◇ When External Speed Potentiometer is Used

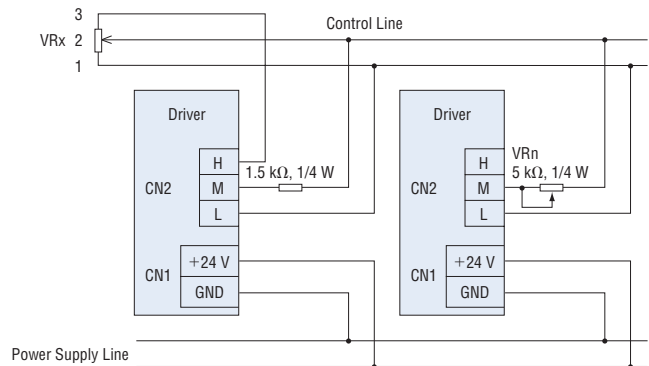
As shown below, make the power supply line and the speed control line common to set the speed at VRx.

- The required resistance of the external speed potentiometer is calculated by the following expression.

Resistance value (N is the number of drivers) $VRx = 20/N$ (kΩ), $N/4$ (W)

Example: When two drivers are used, the resistance is 10 kΩ, 1/2 W.

- Connect the other input/output lines to each driver individually.
- Motor speed differences can be adjusted by connecting a resistor of 1.5 kΩ, 1/4 W to the M terminal of the first driver, and a 5 kΩ, 1/4 W variable resistor (VRn) to the M terminals of the other drivers.
- No more than five motors should be operated simultaneously when using the external speed potentiometer.



■ List of Motor and Driver Combinations

● Geared Type

The geared type has an integrated motor and gearhead. The combination of motor and gearhead cannot be changed.

| Output Power | Model | Geared Motor Model | Driver Model |
|----------------|-------------------|--------------------|--------------|
| 15 W (1/50 HP) | BLH015K -□ | BLHM015K-□ | BLHD15K |

● Combination Type – Parallel Shaft Gearhead

The combination type comes with the motor and parallel shaft gearhead pre-assembled.

| Output Power | Model | Motor Model | Gearhead Model | Driver Model |
|----------------|---------------------|----------------|----------------|--------------|
| 30 W (1/25 HP) | BLH230KC -□ | BLHM230KC-GFS | GFS2G□ | BLHD30K |
| 50 W (1/15 HP) | BLH450KC -□ | BLHM450KC-GFS | GFS4G□ | BLHD50K |
| 100 W (1/8 HP) | BLH5100KC -□ | BLHM5100KC-GFS | GFS5G□ | BLHD100K |

● Combination Type – Hollow Shaft Flat Gearhead

The combination type comes with the motor and hollow shaft flat gearhead pre-assembled.

| Output Power | Model | Motor Model | Gearhead Model | Driver Model |
|----------------|-------------------------------|----------------|----------------|--------------|
| 30 W (1/25 HP) | BLH230KC -□ FR | BLHM230KC-GFS | GFS2G□FR | BLHD30K |
| 50 W (1/15 HP) | BLH450KC -□ FR | BLHM450KC-GFS | GFS4G□FR | BLHD50K |
| 100 W (1/8 HP) | BLH5100KC -□ FR | BLHM5100KC-GFS | GFS5G□FR | BLHD100K |

● Round Shaft Type

| Output Power | Model | Motor Model | Driver Model |
|----------------|--------------------|--------------|--------------|
| 15 W (1/50 HP) | BLH015K-A | BLHM015K-A | BLHD15K |
| 30 W (1/25 HP) | BLH230KC-A | BLHM230KC-A | BLHD30K |
| 50 W (1/15 HP) | BLH450KC-A | BLHM450KC-A | BLHD50K |
| 100 W (1/8 HP) | BLH5100KC-A | BLHM5100KC-A | BLHD100K |

● Enter the gear ratio in the box (□) within the model name.