

K Series Kit Motor Reliable and Compact Approach: Build your own high-performance motor

Direct drive motion construction gives equipment designers the advantages of lower costs, increased reliability and improved performance

Frameless kit motors are the ideal solution for machine designs that require high performance in small spaces. Kit Motors allow for direct integration with a mechanical transmission device, eliminating parts that add size and compliance. Use of frameless kit motors results in a smaller, more reliable motor package.

Features & Benefits:

- High torque from 0.5 in-lb (0.06 Nm) to 85.6 in-lb (9.7 Nm)
- High speeds up to 50,000 RPM
- Superior performance – high stiffness and better response
- High reliability – no mechanical transmission devices (couplings, flanges)
- Compact design – minimizes product size
- Low cogging - unique magnetic circuit design decreases cogging



When to Use:

- A significant cost savings
- Reduced mechanical complexity
- Greater design flexibility
- High performance in a compact package
- Improved dynamic response and settling
- Minimum motor size per application space
- Low cogging for smooth operation
- Low inertia for high acceleration

Applications:

- Automotive
- Machine tool
- Material handling
- Packaging
- Robotics
- Semiconductor

Parker can provide value added service to help you integrate your motor

With our on-site design and manufacturing capabilities, Parker can offer value added solutions to assist with the integration of your frameless motor. Aluminum end caps and clamp on rotors, are just a few of the ways we have offered a mechanical “plug and play” solution for our customers application needs. Contact a Parker Application Engineer for more information regarding this service. A few examples of our value added capabilities include:

- Kevlar roving or stainless steel sleeve for ultimate reliability in high speed applications.
- Potting/encapsulation (including windings) to improve thermal performance and overall robustness



Half Housed Stator

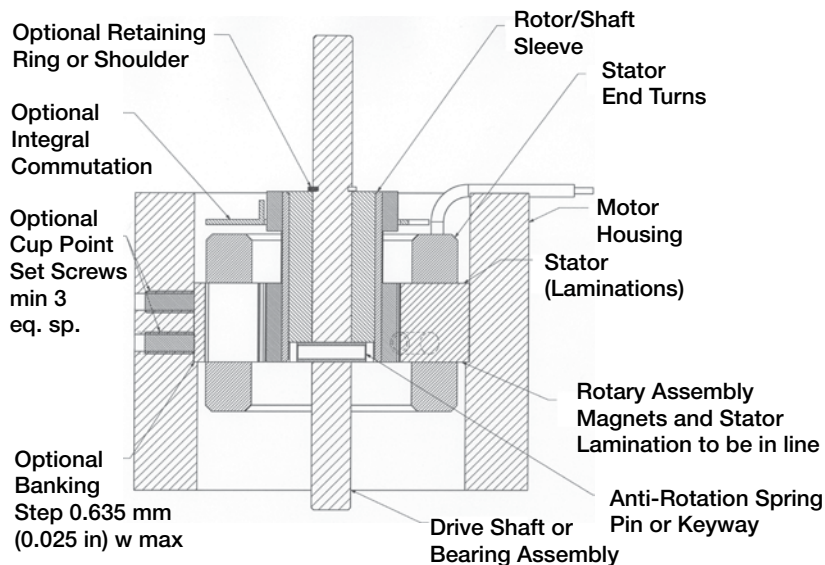
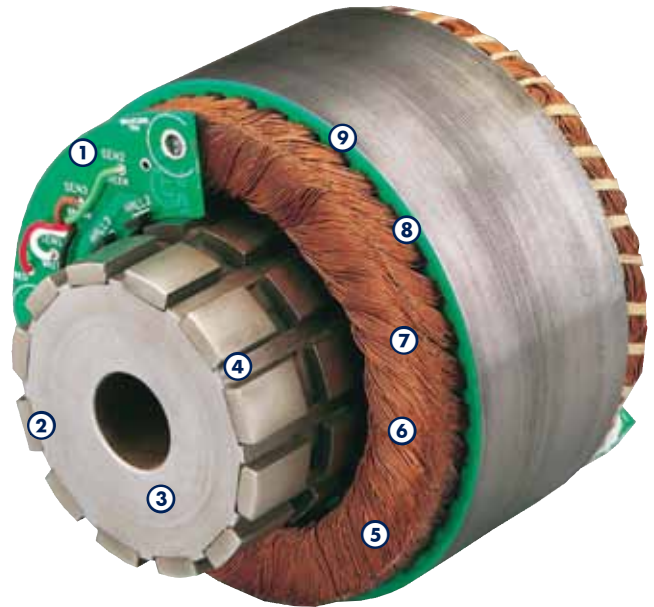


Clamp-on Rotor



Design Features

- ① Pre-installed integral commutation board with Hall effects is prealigned for easy assembly. Motor and feedback as integrated unit.
- ② Rare earth magnets provide high-flux in a small volume, high resistance to thermal demagnetizing.
- ③ Rotor assembly for easy mounting directly on the drive shaft with or without keyway.
- ④ Machined grooves to securely lock magnets to rotor and ensures optimized radial location.
- ⑤ Class H insulation for high-temperature operation (up to 155°C) meeting UL approved requirements.
- ⑥ High-density copper winding for low thermal resistance and consistent performance across all motors.
- ⑦ Minimized end turns to maximize performance. Formed to minimize motor size.
- ⑧ Skewed laminations with odd slot counts reduce cogging for precise rotary motion with drastically reduced torque ripple even at low speeds.
- ⑨ Optimized slot fill for maximum torque-to-size ratio; hand inserted to obtain highest slot fill possible maximizing ampere-turns.



The Advantage of Direct Drive Frameless Motors over Traditional Coupled Motors

Our direct drive brushless kit motors consist of three components:

- The stator and winding
- The rotor with high energy product neodymium magnets
- Hall sensor device for motor commutation

The couplings, motor mounting brackets and extra bearings used in coupled-drive construction can create reliability and performance problems.

Direct drive motors provide higher dynamic stiffness by eliminating the compliance of shaft attachments.

Direct drive motor construction gives equipment designers the advantages of lowered costs, increased reliability and improved performance. Frameless Kit Motors are the most cost effective direct drive motor solutions available.

Kit motors save space in applications because the couplings, motor mounting brackets and extra bearings you would find in coupled drive construction are eliminated. Since there are fewer moving parts, the direct drive kit motor approach allows for a more reliable and compact design.

Frameless Motor Kit Selection

Selection

The selection of a particular frame size and winding for an application is dependent on:

- Volume (diameter and length) requirement
- Power (torque and speed) requirement
- Voltage and current available or required

The first two items are dependent on the load and performance specifications of the application. They result in the selection of a particular frame size (032 through 254) and stack length. The winding to be used will then be determined by voltage and current available or required.

Voltage: The bus voltage and maximum speed will approximately determine the required voltage constant (K_E).

Current: The maximum load and acceleration will determine the amount of current required, determined by the torque constant (K_T) associated with the selected voltage constant.

Example: Assume a requirement of 1,000 RPM at 50 oz-in. If a motor with a particular winding having $K_E = 18.24$ V/1,000 RPM and $K_T = 24.62$ oz in/amp is chosen, it will now require a voltage (BEMF) of 18 volts and current of 2 amp.

NOTE: K_E and K_T are directly proportional to each other. Increasing K_E will also increase K_T ; decreasing K_E will also decrease K_T . The result is that as the voltage requirement changes, the current requirement changes inversely.

Parker Bayside has a range of 27 windings available for each frame size and stack length, providing for virtually any practical combination of voltage and current required for your application. The tables below lists the range of K_E and K_T available for each of the 9 frame sizes. Use the performance specifications and speed torque curves on pages 76-111 to help determine the best solution for your specific application requirements. Detailed information for all these windings can also be found on our web site at www.parkermotion.com. Please contact Parker Bayside application engineers for assistance in selecting the proper motor size and power.

Frame Size	Stack Length Range		Continuous Stall Torque		Peak Torque		Rotor Inertia		Core Loss	Winding-Amb Thermal Resist	Pole Count	Motor Weight	
	mm	in	Nm	in-lbs	Nm	in-lbs	Kg-m ²	lb-in-sec ²	Pc	°C/W	#	kg	lb
K032	50	0.5	0.08	0.7	0.26	2.3	3.2E-07	2.8E-06	0.06	3.44	4	0.07	0.15
	100	1	0.14	1.2	0.45	3.9	6.3E-07	5.6E-06	0.12	3.44	4	0.12	0.27
	200	2	0.23	2.0	0.73	6.4	1.3E-06	1.1E-05	0.24	3.44	4	0.26	0.57
K044	50	0.5	0.21	1.8	0.66	5.8	1.412E-06	1.250E-05	0.24	2.36	6	0.1	0.3
	100	1	0.36	3.2	1.16	10.2	2.9E-06	2.6E-05	0.49	2.36	6	0.22	0.49
	200	2	0.59	5.2	1.88	16.5	5.8E-06	5.1E-05	1.11	2.36	6	0.4	0.88
K064	50	0.5	0.59	5.1	1.86	16.3	9.0E-06	8.0E-05	0.78	1.68	8	0.29	0.63
	100	1	1.03	9.1	3.28	28.9	1.8E-05	1.6E-04	1.6	1.68	8	0.57	1.26
	200	2	1.73	15.2	5.48	48.2	3.6E-05	3.2E-04	3.23	1.68	8	1.13	2.49
K089	50	0.5	1.47	12.9	4.67	41.1	3.7E-05	3.3E-04	2.14	1.02	12	0.5	1.1
	100	1	2.59	22.8	8.23	72.4	7.8E-06	6.9E-05	4.42	1.02	12	1	2.2
	200	2	4.31	37.9	13.69	120.5	1.5E-04	1.3E-03	8.95	1.02	12	1.99	4.39
K178	50	0.5	8.44	74.2	26.77	235.5	4.7E-04	4.1E-03	9.1	0.5	18	2.4	5.29
	100	1	15.16	133.4	48.12	423.5	9.2E-04	8.1E-03	18.7	0.5	18	3.71	8.18
	200	2	25.74	226.5	81.74	719.3	1.8E-03	1.6E-02	37.4	0.5	18	6.34	13.98

Other Stack Lengths, Windings and Frame Sizes Available. Contact Parker Application Engineering for More Information.



Design Considerations for Installing Kit Motors

A number of methods are used to mount the stator and rotor assemblies to the customer product. The method chosen largely depends on the product design, performance requirements (torque, velocity, temperature, etc.) and the manufacturing capabilities of the user.

The following are some brief design consideration notes for your kit motor. Please contact our application engineering group if you require any assistance.

Stator

The stator is typically mounted into a cylindrically shaped hole in the product. It is recommended that a banking step be incorporated at the bottom of the hole to assure accurate and repeatable location of the stator. Alternately, a non-ferrous “plug” can be used to provide a banking surface, which can be removed once the stator is fixed in place. The stator is typically held in position with adhesive for a permanent assembly or with set screws for a removable assembly.

Housing

In designing the housing, provide a means for the stator lead wires (three) and the commutation Hall sensor PCB wires (five) to extend outside of the housing without interfering with the rotor/shaft assembly.

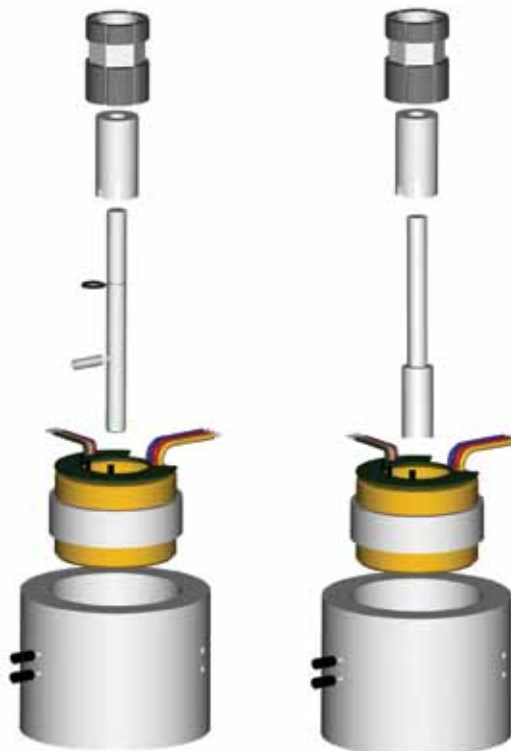
For volume production, a jig should be fabricated that will assure that the stator is located in the same position for each assembly. The yellow dot on the stator provides an index point for accomplishing this. This will eliminate the need to perform mechanical commutation alignment at final assembly.

Rotor

Except for the smaller motors (K032 and K044), the ID of the rotor is usually larger than the shaft diameter. An adapter sleeve allows the rotor to be mounted to the shaft (see illustrations). The rotor/sleeve assembly must be positioned on the shaft such that the magnets are located in line with the stator assembly laminations.

If the version in which the commutation PCB assembly is bonded to the end turns is being used, the commutation magnets must be located in proper proximity to the Hall sensors on the PCB. shows two methods for holding the rotor / sleeve on the shaft, either with adhesive or by using a spring pin and retaining ring. When using the adhesive method, a shoulder should be provided on the shaft to properly locate the rotor/sleeve assembly. When using the spring pin/retaining ring method, a slot must be provided in the sleeve that will engage the spring pin in the shaft, thus properly locating the rotor / sleeve assembly.

Caution: Rotor assembly magnets are powerful and fragile! Do not place near magnetically sensitive material. Do not place near other ferromagnetic materials such as iron, steel and nickel alloys. Strong uncontrolled attraction may damage magnets on contact. Improper assembly of rotor into stator can cause serious injury and or damage to equipment.



Spring pin/retaining ring method (left); shoulder/adhesive method (right)

Frame Size 032 (32 mm O.D.) Model-Specific Performance Characteristics*

	Symbol	Units	K032050-	K032100-	K032200-						
Stall Torque Continuous ^(1,2,3)	Tcs	Nm	0.08	0.14	0.23						
		in-lb	0.73	1.25	2.04						
		oz-in	12	20	33						
Peak Torque	Tpk	Nm	0.26	0.45	0.73						
		in-lb	2.32	3.97	6.48						
		oz-in	37	64	104						
Max Mechanical Speed**			20000	20000	20000						
Rated Torque ^(1,2,3)	Tr	Nm	0.08	0.12	0.18						
		in-lb	0.68	1.10	1.58						
		oz-in	11	18	25						
Rated Shaft Output Power ^(1,2,3)	Pout	kW	0.160	0.259	0.372						
DC Bus Voltage ⁽⁴⁾	Vmbus	VDC	340	340	340						
AC Voltage ⁽⁴⁾	Vs	VAC	240	240	240						
Winding-Amb Thermal Resist ⁽⁴⁾	Rthw-a	°C/W	3.44	3.44	3.44						
Ambient Temp at Rating	Tamb	°C	25	25	25						
Max Winding Temp	Tmax	°C	155	155	155						
Motor Thermal Time Constant ⁽⁴⁾	tth	minutes	9.74	1.5	9.74						
Rotor Shaft Viscous Damping ⁽⁴⁾	B	Nm/krpm	0.0001	0.0002	0.0004						
Rotor Shaft Dynamic Friction ⁽⁴⁾	Tf	Nm	0.0003	0.0007	0.0013						
Rotor Inertia ⁽⁴⁾	J	kg-m ²	3.2E-07	6.3E-07	1.3E-06						
		in-lb-sec ²	2.8E-06	5.6E-06	1.1E-05						
Number of rotor magnet poles	Np	# poles	4	4	4						
Motor Weight ⁽⁴⁾		kg	0.07	0.12	0.26						
		lb	0.15	0.27	0.57						
Motor UL Class	F	UL class	H	H	H						
Environmental Protection Rating ⁽⁵⁾	IP		IP40 - IP65	IP40 - IP65	IP40 - IP65						
Winding Constants			7Y	8Y	EY	7Y	8Y	EY	7Y	8Y	EY
Stall Current Continuous ^(1,2,3)	lcs(rms)	Arms	3.55	2.78	1.75	3.06	2.40	1.51	2.49	1.95	1.23
	lcs(trap)	Amps DC	4.35	3.41	2.14	3.75	2.94	1.85	3.05	2.39	1.50
Peak Current ^(1,2,3)	lpk(rms)	Arms	11.23	8.79	5.53	9.69	7.58	4.77	7.87	6.16	3.88
	lpk(trap)	Amps DC	13.76	10.77	6.77	11.86	9.29	5.84	9.64	7.55	4.75
Voltage Constant ^(6,8)	Kb	V/rad/s	0.019	0.024	0.039	0.037	0.048	0.077	0.075	0.097	0.155
	Ke	Vrms/krpm	1.396	1.807	2.874	2.769	3.584	5.702	5.562	7.197	11.451
Torque Constant ^(6,8)	Kt(sine)	Nm/Arms	0.023	0.030	0.048	0.046	0.059	0.094	0.092	0.119	0.189
	Kt(trap)	oz-in/Amp DC	2.670	3.455	5.497	5.296	6.853	10.903	10.635	13.764	21.897
Resistance ^(6,8)	R	ohm	1.3	2.2	5.4	1.8	2.9	7.3	2.7	4.4	11.1
Inductance ^(7,8)	L	mH	0.7	1.1	2.8	1.3	2.2	5.6	2.6	4.4	11.2

* K032 housed in a motor frame, typically an aluminum cylinder with 0.250 in thick walls, mounted to a 6 in x 6 in x 0.5 in aluminum plate

** Higher rpm possible with greater voltage and sleeved rotor

⁽¹⁾ Assumes motor is mounted to an aluminum plate with dimensions of 10" X 10" X 1/4" aluminum plate for 70 mm motor frames or smaller, 12" X 12" X 1/2" for 92 mm to 115 mm, 12" X 12" X 1" for 142 mm to 230 mm motor frames, and 21"x 21"x 1" for 270 mm to 320 mm motor frames.

⁽²⁾ Maximum winding temperature is 155°C. Thermal protection device may be at a lower temperature.

⁽³⁾ These ratings are valid for Parker Hannifin Drives. Other drives may not achieve the same ratings.

⁽⁴⁾ Reference only

⁽⁵⁾ Refer to the product part number configurator for the IP rating Character. All servo motor with a "V" designator in the part number for the shaft seal option are rated for IP65. All other motors are rated for IP64 if the feedback device is encased in an aluminum housing. Motors that have exposed feedback devices are rated at IP40

⁽⁶⁾ ±10%

⁽⁷⁾ ±30% @ 1kHz

⁽⁸⁾ Measured Lead to Lead





Frame Size 044 (44 mm O.D.) Model-Specific Performance Characteristics*

	Symbol	Units	K044050-	K044100-	K044200-						
Stall Torque Continuous ^(1,2,3)	Tcs	Nm	0.21	0.36	0.59						
		in-lb	1.8	3.22	5.24						
		oz-in	29.5	52	84						
Peak Torque	Tpk	Nm	0.66	1.16	1.88						
		in-lb	5.9	10.22	16.62						
		oz-in	93.7	164	266						
Max Mechanical Speed**			18000	18000	18000						
Rated Torque ^(1,2,3)	Tr	Nm	0.18	0.29	0.40						
		in-lb	1.6	2.55	3.52						
		oz-in	26.2	41	56						
Rated Shaft Output Power ^(1,2,3)	Pout	kW	0.3	0.539	0.648						
DC Bus Voltage ⁽⁴⁾	Vmbus	VDC	340	340	340						
AC Voltage ⁽⁴⁾	Vs	VAC	240	240	240						
Winding-Amb Thermal Resist ⁽⁴⁾	Rthw-a	°C/W	2.36	2.36	2.36						
Ambient Temp at Rating	Tamb	°C	25	25	25						
Max Winding Temp	Tmax	°C	155	155	155						
Motor Thermal Time Constant ⁽⁴⁾	tth	minutes	11.0	11	11						
Rotor Shaft Viscous Damping ⁽⁴⁾	B	Nm/krpm	0.0004	0.0007	0.0014						
Rotor Shaft Dynamic Friction ⁽⁴⁾	Tf	Nm	0.0010	0.0019	0.0039						
Rotor Inertia ⁽⁴⁾	J	kg-m ²	1.412E-06	2.9E-06	5.8E-06						
		in-lb-sec ²	1.250E-05	2.6E-05	5.1E-05						
Number of rotor magnet poles	Np	# poles	6	6	6						
Motor Weight ⁽⁴⁾		kg	0.1	0.22	0.40						
		lb	0.3	0.49	0.88						
Motor UL Class	F	UL class	H	H	H						
Environmental Protection Rating ⁽⁵⁾	IP		IP40 - IP65	IP40 - IP65	IP40 - IP65						
Winding Constants			7Y	8Y	EY	7Y	8Y	EY	7Y	8Y	EY
Stall Current Continuous ^(1,2,3)	Ics(rms)	Arms	4.63	3.7	2.31	4.01	3.19	1.60	3.28	2.61	1.64
	Ics(trap)	Amps DC	5.67	4.5	2.83	4.91	3.91	1.95	4.01	3.20	2.00
Peak Current ^(1,2,3)	Ipk(rms)	Arms	14.63	11.7	7.31	12.67	10.09	5.04	10.35	8.24	5.17
	Ipk(trap)	Amps DC	17.92	14.3	8.95	15.52	12.36	6.17	12.68	10.10	6.33
Voltage Constant ^(6,8)	Kb	V/rad/s	0.037	0.0464	0.074	0.075	0.094	0.187	0.149	0.186	0.298
	Ke	Vrms/krpm	2.749	3.44	5.497	5.545	6.931	13.862	11.042	13.803	22.084
Torque Constant ^(6,8)	Kt(sine)	Nm/Arms	0.045	0.057	0.091	0.092	0.115	0.229	0.183	0.228	0.365
	Kt(trap)	oz-in/Amp DC	5.256	6.57	10.512	10.603	13.254	26.508	21.115	26.394	42.231
Resistance ^(6,8)	R	ohm	1.1	1.787	4.5	1.5	2.4	9.5	2.3	3.6	9.1
Inductance ^(7,8)	L	mH	0.8	1.3	3.2	1.6	2.5	10.0	3.2	5.0	12.8

* K044 housed in a motor frame, typically an aluminum cylinder with 0.250 in thick walls, mounted to a 6 in x 6 in x 0.5 in aluminum plate

** Higher rpm possible with greater voltage and sleeved rotor

⁽¹⁾ Assumes motor is mounted to an aluminum plate with dimensions of 10" X 10" X 1/4" aluminum plate for 70 mm motor frames or smaller, 12" X 12" X 1/2" for 92 mm to 115 mm, 12" X 12" X 1" for 142 mm to 230 mm motor frames, and 21"x 21"x 1" for 270 mm to 320 mm motor frames.

⁽²⁾ Maximum winding temperature is 155°C. Thermal protection device may be at a lower temperature.

⁽³⁾ These ratings are valid for Parker Hannifin Drives. Other drives may not achieve the same ratings.

⁽⁴⁾ Reference only

⁽⁵⁾ Refer to the product part number configurator for the IP rating Character. All servo motor with a "V" designator in the part number for the shaft seal option are rated for IP65. All other motors are rated for IP64 if the feedback device is encased in an aluminum housing. Motors that have exposed feedback devices are rated at IP40

⁽⁶⁾ ±10%

⁽⁷⁾ ±30% @ 1kHz

⁽⁸⁾ Measured Lead to Lead

Frame Size 064 (64 mm O.D.) Model-Specific Performance Characteristics*

	Symbol	Units	K064050-	K064100-	K064200-						
Stall Torque Continuous ^(1,2,3)	Tcs	Nm	0.59	1.03	1.73						
		in-lb	5.18	9.16	15.28						
		oz-in	83	147	244						
Peak Torque	Tpk	Nm	1.86	3.28	5.48						
		in-lb	16.42	29.05	48.51						
		oz-in	263	465	776						
Max Mechanical Speed**		15500	15500	15500							
Rated Torque ^(1,2,3)	Tr	Nm	0.49	0.86	1.56						
		in-lb	4.30	7.58	13.77						
		oz-in	69	121	220						
Rated Shaft Output Power ^(1,2,3)	Pout	kW	0.783	0.964	0.866						
DC Bus Voltage ⁽⁴⁾	Vmbus	VDC	340	340	340						
AC Voltage ⁽⁴⁾	Vs	VAC	240	240	240						
Winding-Amb Thermal Resist ⁽⁴⁾	Rthw-a	°C/W	1.68	1.68	1.68						
Ambient Temp at Rating	Tamb	°C	25	25	25						
Max Winding Temp	Tmax	°C	155	155	155						
Motor Thermal Time Constant ⁽⁴⁾	tth	minutes	22	22	22						
Rotor Shaft Viscous Damping ⁽⁴⁾	B	Nm/krpm	0.0010	0.0021	0.0042						
Rotor Shaft Dynamic Friction ⁽⁴⁾	Tf	Nm	0.0030	0.0060	0.0120						
Rotor Inertia ⁽⁴⁾	J	kg-m ²	9.0E-06	1.8E-05	3.6E-05						
		in-lb-sec ²	8.0E-05	1.6E-04	3.2E-04						
Number of rotor magnet poles	Np	# poles	8	8	8						
Motor Weight ⁽⁴⁾		kg	0.29	0.57	1.13						
		lb	0.63	1.26	2.49						
Motor UL Class	F	UL class	H	H	H						
Environmental Protection Rating ⁽⁵⁾	IP		IP40 - IP65	IP40 - IP65	IP40 - IP65						
Winding Constants			8Y	9Y	EY	8Y	9Y	EY	8Y	9Y	EY
Stall Current Continuous ^(1,2,3)	lcs(rms)	Arms	4.44	3.53	2.78	3.92	3.13	2.46	3.28	2.61	2.05
	lcs(trap)	Amps DC	5.43	4.33	3.41	4.81	3.83	3.01	4.01	3.20	2.52
Peak Current ^(1,2,3)	lpk(rms)	Arms	14.02	11.16	8.79	12.40	9.88	7.77	10.36	8.25	6.49
	lpk(trap)	Amps DC	17.17	13.67	10.76	15.19	12.10	9.52	12.68	10.10	7.95
Voltage Constant ^(6,8)	Kb	V/rad/s	0.109	0.136	0.174	0.218	0.272	0.348	0.435	0.544	0.696
	Ke	Vrms/krpm	8.053	10.066	12.884	16.105	20.132	25.769	32.211	40.264	51.537
Torque Constant ^(6,8)	Kt(sine)	Nm/Arms	0.133	0.166	0.213	0.266	0.333	0.426	0.533	0.666	0.852
	Kt(trap)	oz-in/Amp DC	15.399	19.249	24.638	30.798	38.498	49.277	61.596	76.995	98.554
Resistance ^(6,8)	R	ohm	1.7	2.7	4.4	2.2	3.5	5.6	3.2	5.0	8.1
Inductance ^(7,8)	L	mH	2.0	3.1	5.1	4.0	6.3	10.2	8.0	12.5	20.4

* K064 housed in a motor frame, typically an aluminum cylinder with 0.250 in thick walls, mounted to a 6 in x 6 in x 0.5 in aluminum plate

** Higher rpm possible with greater voltage and sleeved rotor

⁽¹⁾ Assumes motor is mounted to an aluminum plate with dimensions of 10" X 10" X 1/4" aluminum plate for 70 mm motor frames or smaller, 12" X 12" X 1/2" for 92 mm to 115 mm, 12" X 12" X 1" for 142 mm to 230 mm motor frames, and 21" X 21" X 1" for 270 mm to 320 mm motor frames.

⁽²⁾ Maximum winding temperature is 155°C. Thermal protection device may be at a lower temperature.

⁽³⁾ These ratings are valid for Parker Hannifin Drives. Other drives may not achieve the same ratings.

⁽⁴⁾ Reference only

⁽⁵⁾ Refer to the product part number configurator for the IP rating Character. All servo motor with a "V" designator in the part number for the shaft seal option are rated for IP65. All other motors are rated for IP64 if the feedback device is encased in an aluminum housing. Motors that have exposed feedback devices are rated at IP40

⁽⁶⁾ ±10%

⁽⁷⁾ ±30% @ 1kHz

⁽⁸⁾ Measured Lead to Lead





Frame Size 089 (89 mm O.D.) Model-Specific Performance Characteristics*

	Symbol	Units	K089050-			K089100-			K089200-		
Stall Torque Continuous ^(1,2,3)	Tcs	Nm	1.47			2.59			4.31		
		in-lb	13.01			22.94			38.12		
		oz-in	208			367			610		
Peak Torque	Tpk	Nm	4.67			8.23			13.69		
		in-lb	41.30			72.84			121.19		
		oz-in	661			1166			1939		
Max Mechanical Speed**			12000			12000			12000		
Rated Torque ^(1,2,3)	Tr	Nm	1.16			2.07			3.77		
		in-lb	10.23			18.35			33.32		
		oz-in	164			294			533		
Rated Shaft Output Power ^(1,2,3)	Pout	kW	1.443			1.716			1.590		
DC Bus Voltage ⁽⁴⁾	Vmbus	VDC	340			340			340		
AC Voltage ⁽⁴⁾	Vs	VAC	240			240			240		
Winding-Amb Thermal Resist ⁽⁴⁾	Rthw-a	°C/W	1.02			1.02			1.02		
Ambient Temp at Rating	Tamb	°C	25			25			25		
Max Winding Temp	Tmax	°C	155			155			155		
Motor Thermal Time Constant ⁽⁴⁾	tth	minutes	28			28			28		
Rotor Shaft Viscous Damping ⁽⁴⁾	B	Nm/krpm	0.0034			0.0068			0.0136		
Rotor Shaft Dynamic Friction ⁽⁴⁾	Tf	Nm	0.0097			0.0193			0.0387		
Rotor Inertia ⁽⁴⁾	J	kg-m ²	3.7E-05			7.8E-06			1.5E-04		
		in-lb-sec ²	3.3E-04			6.9E-05			1.3E-03		
Number of rotor magnet poles	Np	# poles	12			12			12		
Motor Weight ⁽⁴⁾		kg	0.50			1.00			1.99		
		lb	1.1			2.2			4.39		
Motor UL Class	F	UL class	H			H			H		
Environmental Protection Rating ⁽⁵⁾	IP		IP40 - IP65			IP40 - IP65			IP40 - IP65		
Winding Constants			6Y	7Y	9Y	6Y	7Y	9Y	4Y	7Y	9Y
Stall Current Continuous ^(1,2,3)	Ics(rms)	Arms	8.44	6.77	4.30	7.44	5.97	3.79	9.96	4.97	3.15
	Ics(trap)	Amps DC	10.33	8.30	5.26	9.12	7.32	4.64	12.19	6.09	3.86
Peak Current ^(1,2,3)	Ipk(rms)	Arms	26.66	21.40	13.58	23.52	18.88	11.98	31.46	15.71	9.97
	Ipk(trap)	Amps DC	32.66	26.21	16.63	28.81	23.12	14.67	38.53	19.24	12.21
Voltage Constant ^(6,8)	Kb	V/rad/s	0.145	0.178	0.279	0.290	0.357	0.558	0.357	0.714	1.115
	Ke	Vrms/krpm	10.733	13.210	20.641	21.467	26.420	41.282	26.420	52.841	82.564
Torque Constant ^(6,8)	Kt(sine)	Nm/Arms	0.178	0.218	0.341	0.355	0.437	0.683	0.437	0.874	1.366
	Kt(trap)	oz-in/Amp DC	20.525	25.261	39.471	41.050	50.523	78.942	50.523	101.046	157.884
Resistance ^(6,8)	R	ohm	0.8	1.2	3.0	1.0	1.6	3.9	0.6	2.3	5.7
Inductance ^(7,8)	L	mH	1.2	1.8	4.5	2.4	3.7	8.9	1.8	7.3	17.9

* K089 housed in a motor frame, typically an aluminum cylinder with 0.250 in thick walls, mounted to a 8 in x 8 in x 0.5 in aluminum plate

** Higher rpm possible with greater voltage and sleeved rotor

⁽¹⁾ Assumes motor is mounted to an aluminum plate with dimensions of 10" X 10" X 1/4" aluminum plate for 70 mm motor frames or smaller, 12" X 12" X 1/2" for 92 mm to 115 mm, 12" X 12" X 1" for 142 mm to 230 mm motor frames, and 21" X 21" X 1" for 270 mm to 320 mm motor frames.

⁽²⁾ Maximum winding temperature is 155°C. Thermal protection device may be at a lower temperature.

⁽³⁾ These ratings are valid for Parker Hannifin Drives. Other drives may not achieve the same ratings.

⁽⁴⁾ Reference only

⁽⁵⁾ Refer to the product part number configurator for the IP rating Character. All servo motor with a "V" designator in the part number for the shaft seal option are rated for IP65. All other motors are rated for IP64 if the feedback device is encased in an aluminum housing. Motors that have exposed feedback devices are rated at IP40

⁽⁶⁾ ±10%

⁽⁷⁾ ±30% @ 1kHz

⁽⁸⁾ Measured Lead to Lead

Frame Size 178 (178 mm O.D.) Model-Specific Performance Characteristics*

	Symbol	Units	K178050-	K178100-	K178200-						
Stall Torque Continuous ^(1,2,3)	Tcs	Nm	8.44	15.16	25.74						
		in-lb	74.67	134.18	227.75						
		oz-in	1195	2147	3644						
Peak Torque	Tpk	Nm	26.77	48.12	81.74						
		in-lb	236.87	425.88	723.41						
		oz-in	3790	6814	11575						
Max Mechanical Speed**			6000	6000	6000						
Rated Torque ^(1,2,3)	Tr	Nm	7.44	13.94	24.35						
		in-lb	65.83	123.37	215.50						
		oz-in	1053	1974	3448						
Rated Shaft Output Power ^(1,2,3)	Pout	kW	2.321	2.372	2.099						
DC Bus Voltage ⁽⁴⁾	Vmbus	VDC	340	340	340						
AC Voltage ⁽⁴⁾	Vs	VAC	240	240	240						
Winding-Amb Thermal Resist ⁽⁴⁾	Rthw-a	°C/W	0.5	0.5	0.5						
Ambient Temp at Rating	Tamb	°C	25	25	25						
Max Winding Temp	Tmax	°C	155	155	155						
Motor Thermal Time Constant ⁽⁴⁾	tth	minutes	108	108	108						
Rotor Shaft Viscous Damping ⁽⁴⁾	B	Nm/krpm	0.0561	0.1123	0.2246						
Rotor Shaft Dynamic Friction ⁽⁴⁾	Tf	Nm	0.0485	0.0970	0.1940						
Rotor Inertia ⁽⁴⁾	J	kg-m ²	4.7E-04	9.2E-04	1.8E-03						
		in-lb-sec ²	4.1E-03	8.1E-03	1.6E-02						
Number of rotor magnet poles	Np	# poles	18	18	18						
Motor Weight ⁽⁴⁾		kg	2.40	3.71	6.34						
		lb	5.29	8.18	13.98						
Motor UL Class	F	UL class	H	H	H						
Environmental Protection Rating ⁽⁵⁾	IP		IP40 - IP65	IP40 - IP65	IP40 - IP65						
Winding Constants			6Y	8Y	EY	8Y	9Y	EY	8Y	9Y	EY
Stall Current Continuous ^(1,2,3)	lcs(rms)	Arms	16.94	10.68	6.74	9.60	7.60	6.06	8.15	6.46	5.15
	lcs(trap)	Amps DC	20.75	13.08	8.26	11.75	9.31	7.42	9.98	7.91	6.30
Peak Current ^(1,2,3)	lpk(rms)	Arms	53.54	33.75	21.30	30.32	24.03	19.14	25.76	20.41	16.26
	lpk(trap)	Amps DC	65.58	41.33	26.09	37.14	29.43	23.44	31.55	25.00	19.91
Voltage Constant ^(6,8)	Kb	V/rad/s	0.410	0.649	1.024	1.297	1.639	2.048	2.595	3.277	4.097
	Ke	Vrms/krpm	30.340	48.039	75.851	96.059	121.337	151.672	192.118	242.675	303.344
Torque Constant ^(6,8)	Kt(sine)	Nm/Arms	0.502	0.795	1.255	1.589	2.007	2.509	3.178	4.014	5.017
	Kt(trap)	oz-in/Amp DC	58.019	91.863	145.047	183.691	232.030	290.038	367.381	464.060	580.076
Resistance ^(6,8)	R	ohm	0.4	1.0	2.5	1.2	2.0	3.1	1.7	2.7	4.3
Inductance ^(7,8)	L	mH	1.5	3.8	9.6	7.7	12.2	19.1	15.3	24.5	38.2

* K178 housed in a motor frame, typically an aluminum cylinder with 0.250 in thick walls, mounted to a 8 in x 8 in x 0.5 in aluminum plate

** Higher rpm possible with greater voltage and sleeved rotor

⁽¹⁾ Assumes motor is mounted to an aluminum plate with dimensions of 10" X 10" X 1/4" aluminum plate for 70 mm motor frames or smaller, 12" X 12" X 1/2" for 92 mm to 115 mm, 12" X 12" X 1" for 142 mm to 230 mm motor frames, and 21" X 21" X 1" for 270 mm to 320 mm motor frames.

⁽²⁾ Maximum winding temperature is 155°C. Thermal protection device may be at a lower temperature.

⁽³⁾ These ratings are valid for Parker Hannifin Drives. Other drives may not achieve the same ratings.

⁽⁴⁾ Reference only

⁽⁵⁾ Refer to the product part number configurator for the IP rating Character. All servo motor with a "V" designator in the part number for the shaft seal option are rated for IP65. All other motors are rated for IP64 if the feedback device is encased in an aluminum housing. Motors that have exposed feedback devices are rated at IP40

⁽⁶⁾ ±10%

⁽⁷⁾ ±30% @ 1kHz

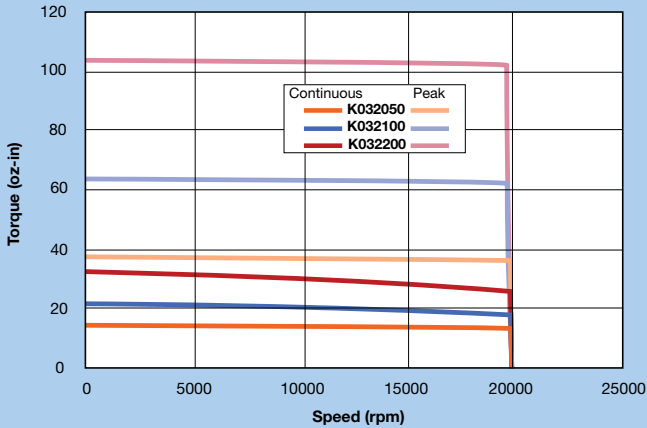
⁽⁸⁾ Measured Lead to Lead





K Series Performance

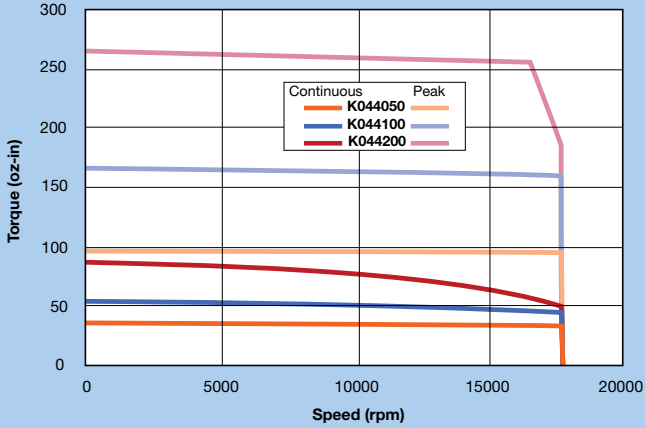
K032 @ 340 VDC



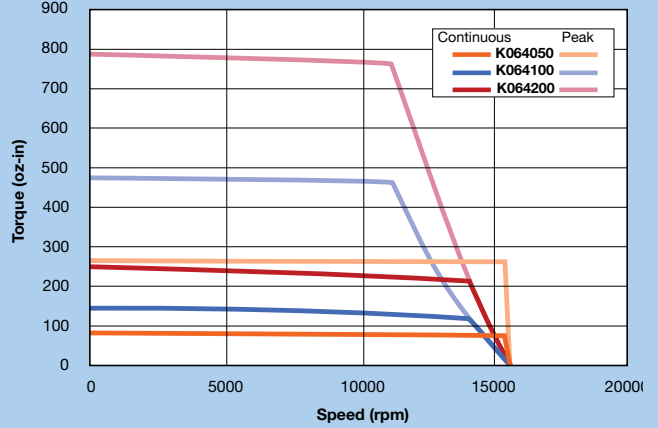
NOTE: Please contact the factory for performance at voltages other than 340 VDC.

Parker Bayside has numerous additional frame sizes, stack lengths, and windings available to meet virtually any practical combination of voltage and current requirement. Please contact us if you do not find a unit that meets your specific application performance, electrical and mechanical requirements.

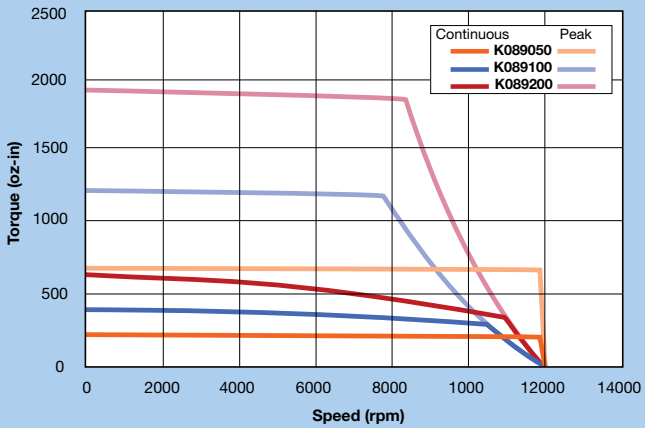
K044 @ 340 VDC



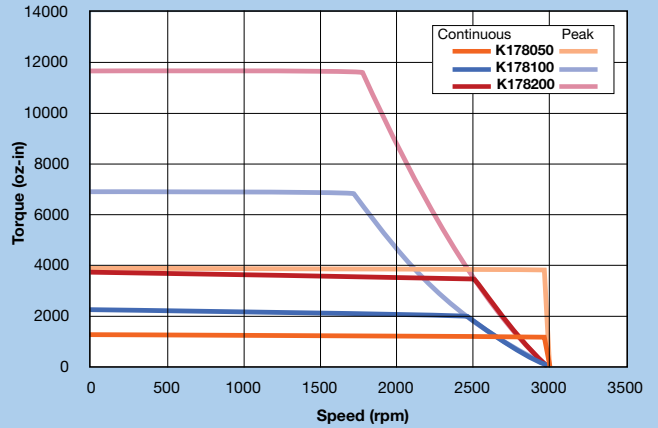
K064 @ 340 VDC



K089 @ 340 VDC

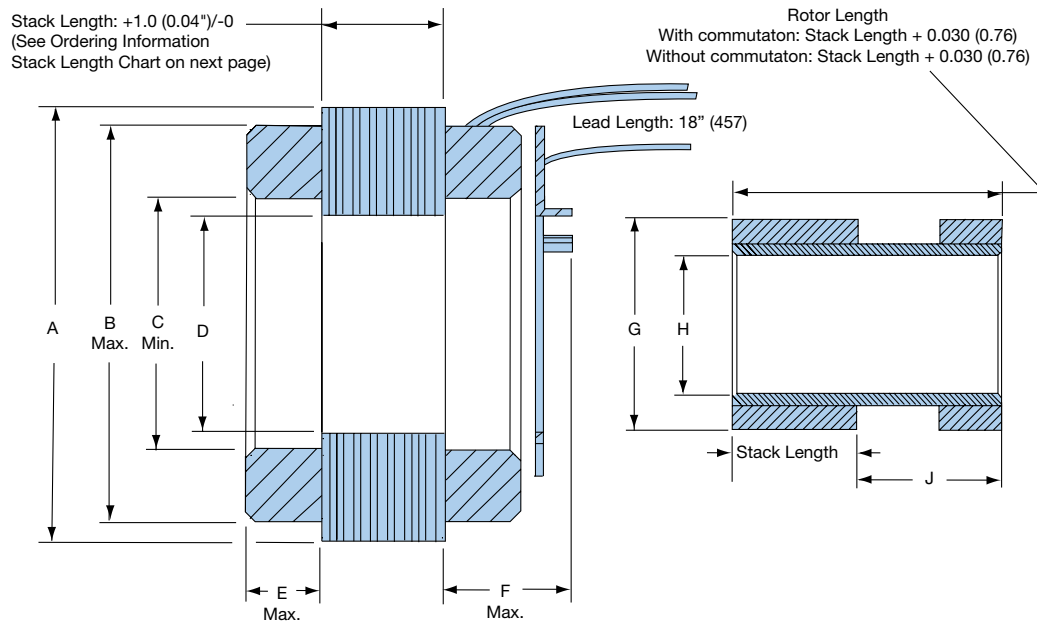


K178 @ 340 VDC



Frame Sizes 032 – 178

Dimensions – in (mm)



Dimensions – in (mm)									
Frame Size	A O.D.	B End Turns O.D.	C End Turns I.D.	D I.D.	E End Turns Length	F Commutation Length	G Rotor O.D.	H Rotor I.D.	J Commutation Magnet Length
K032	1.251 (31.78)	1.17 (29.7)	0.65 (16.5)	0.593 (15.06)	0.25 (6.4)	0.57 (14.5)	0.549 (13.94)	0.300 (7.62)	0.52 (13.2)
	1.250 (31.75)			0.583 (14.8)			0.547 (13.89)	0.299 (7.59)	
K044	1.751 (44.48)	1.60 (40.6)	1.02 (25.9)	0.88 (22.30)	0.31 (7.9)	0.65 (16.5)	0.836 (21.23)	0.550 (13.97)	0.58 (14.7)
	1.749 (44.42)			0.87 (22.10)			0.834 (21.18)	0.549 (13.94)	
K064	2.501 (63.53)	2.39 (60.7)	1.50 (38.1)	1.385 (35.18)	0.38 (9.7)	0.69 (17.5)	1.34 (34.04)	0.926 (23.52)	0.62 (15.7)
	2.499 (63.47)			1.375 (34.92)			1.338 (33.98)	0.925 (23.49)	
K089	3.501 (88.92)	3.38 (85.9)	2.15 (54.6)	2.105 (53.47)	0.39 (9.9)	0.69 (17.5)	2.041 (51.84)	1.600 (40.64)	0.66 (16.7)
	3.499 (88.87)			2.095 (53.21)			2.039 (51.79)	1.599 (40.61)	
K178	7.002 (177.85)	6.80 (172.7)	4.39 (111.5)	4.356 (110.65)	0.60 (15.2)	*	4.299 (109.2)	3.770 (95.76)	*
	6.998 (177.75)			4.346 (110.39)			4.298 (109.2)	3.769 (95.73)	

*Integral commutation not available



Fill in an order code from each of the numbered fields to create a complete model order code.

① ② ③ ④ ⑤ ⑥ ⑦

Order Example:

K **044** **100** **E** **Y** **2** **XXX**

1 Series

K Frameless Kit Motors

2 Frame Size (Stator O.D.)

032 32 mm
044 44 mm
064 64 mm
089 89 mm
178 178 mm

3 Stack Length

050 0.50 in
100 1.00 in
200 2.00 in

4 Windings

Refer to "Winding Constants" chart for selected frame size for winding performance and selection (pages 102-106)

5 Connection Options*

Y Wye

*Consult factory for special connection options

6 Commutation

1 Without
2 With integral

7 Required Designator

XXX

