

RP240

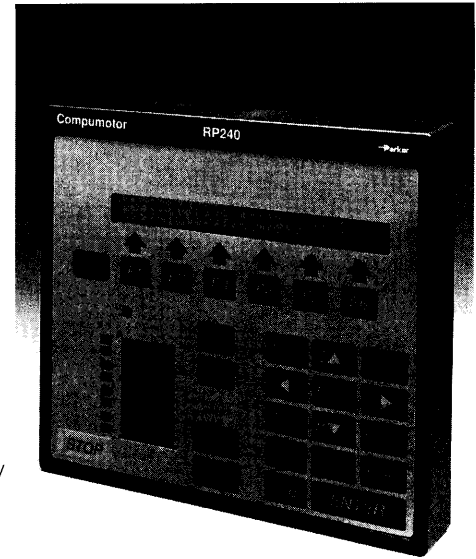
Operator Interface

Features

- Operates directly with Compumotor's ZETA6104, SX and ZX Indexer/Drives, 500, 6200 and 6201 Indexers, 6250 Servo Controller, and APEX6151/APEX6152/APEX6154 Controllers
- Communication through a three-wire RS-232C port (RX, TX Ground)
- Screw Terminal connections for easy wiring
- Sealed membrane keypad meets NEMA 12 specifications (NEMA 4 option available)
- Easy-to-read, 2-line, 40-character-per-line LCD display
- Adjustable contrast for the LCD display
- Numeric and Function key data entry
- Dedicated STOP key for program termination
- PAUSE and CONTINUE keys for temporary program halt
- 8 independent LEDs for user-selectable status indicators
- Power requirement of only 100 mA @ 5VDC (can be supplied from SX, ZX, 500, 6200, 6250, APEX6152, and APEX6154)
- Can be utilized by any controller capable of transmitting ASCII strings across RS-232C
- Low profile for easy panel mount configuration
- Optional flange for flush mounting and NEMA 4 sealed keypad (RP240-NEMA 4) membrane

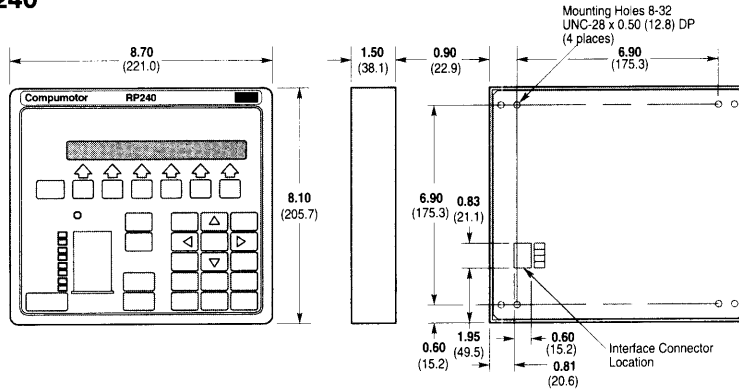
Summary of Command Set Functions

- Clear the display
- Enable/disable PAUSE and CONTINUE keys
- Turn RP240 LEDs on/off
- Position cursor
- Enable/disable STOP
- Display text data on RP240 LCD
- Display variable data on RP240 LCD

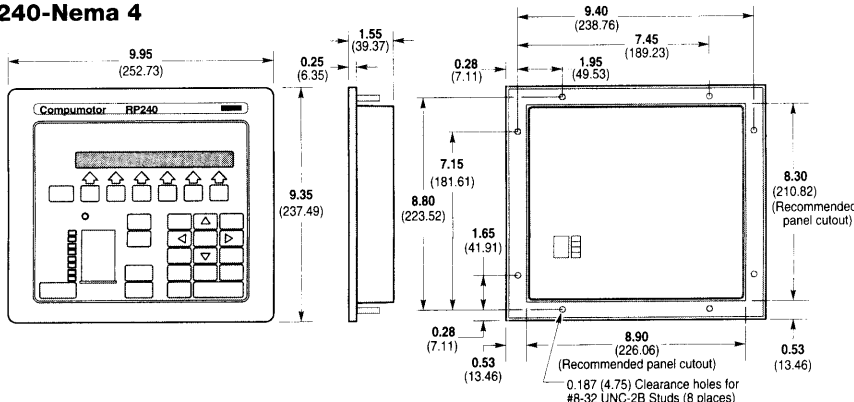


Dimensions (—) denotes millimeters

RP240



RP240-Nema 4



Specifications

| Parameter | Value |
|------------------|---|
| Power | 5VDC @ 100 mA |
| Serial Interface | RS-232C port, 3-wire, 9600 baud, 8 data bits, 1 stop bit, no parity |
| Environmental | |
| Operating Temp | 36° to 122° F (5° to 50°C) |
| Storage Temp | -22° to 185°F (-30° to 85°C) |
| Humidity | 0% to 95% non-condensing |

RP240 Connections

Power & RS-232C, 4-pin

| Pin No. | In/Out | Description |
|---------|--------|---------------|
| 1 | IN | Ground |
| 2 | IN | Receive (RX) |
| 3 | OUT | Transmit (TX) |
| 4 | IN | +5VDC |

C Step Motor Systems