



DFG - Product Migration Matrix

Released: March 23, 2012

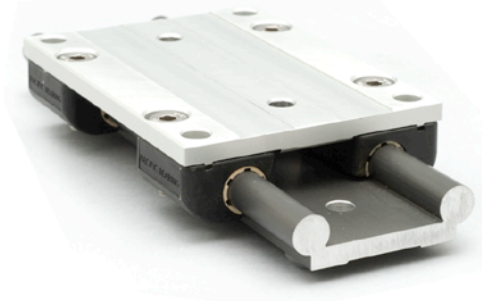
PBC Linear is pleased to provide this information to help customers deal with product life cycle management. As products mature, new products are developed, and engineering changes occur, this Product Migration Matrix will serve as a guide to help in the process of navigating from retiring components to the best engineered solution possible. If you need further assistance, please contact an Application Engineer at (800) 962-8979.

The following linear guide products are being **RETIRED** ...

Original Part Options	Suggested Migration Part Number	Change Description	Planned Retirement Date
DFG10xxxx-40	UGA040x-xxxx	40mm wide, multiple component DFG Modular Guide is being retired and replaced with the UGA two-piece rail carriage assembly	6/30/2012
DFG10xxxx-80	Call PBC (800) 962-8979	80mm wide, multiple component DFG Modular Guide is being retired	6/30/2012

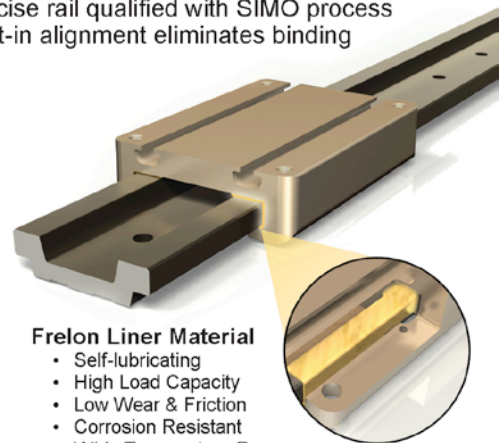
DFG Modular Guide

- Multiple components (14 pcs.)
- Difficult to align and maintain
- Creases collect contamination



UGA Low Profile Uni-Guide

- One-piece carriage design
- Bearing liner bonded to carriage
- Precise rail qualified with SIMO process
- Built-in alignment eliminates binding



Frelon Liner Material

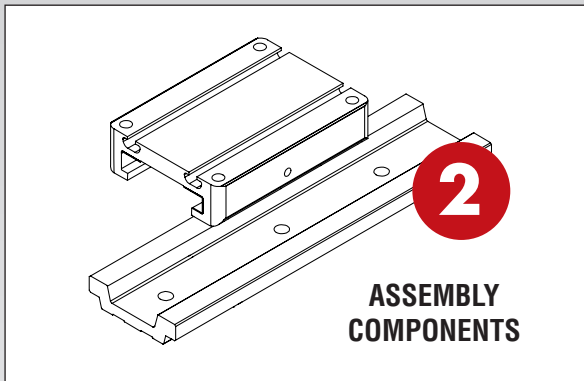
- Self-lubricating
- High Load Capacity
- Low Wear & Friction
- Corrosion Resistant
- Wide Temperature Range

The Simple Advantage . . .

Uni-guide™

LOW PROFILE

NEW Low Profile (UGA)



The Low Profile Uni-Guide from PBC Linear is the latest solution for smooth and quiet linear motion in compact spaces. The UGA's simple two-piece design reduces parts, simplifies assembly and provides quick integration over a component-based system.

INSTALLATION STEPS*

1. Drill/tap holes in mounting surface to match the UGA mounting pattern
2. Fasten UGA rail to mounting surface

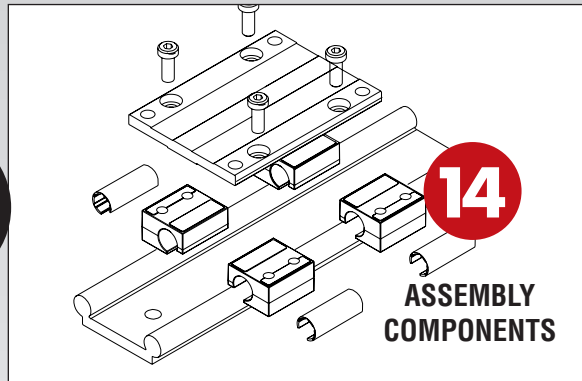
BILL OF MATERIAL (1m long)

Qty	Description	Cost
16	Fasteners	8.00
1	UGA Assembly	64.00
30 minutes of labor to assemble @ \$35.00/hr		17.50

TOTAL PROJECT COST \$89.50
SAVE UP TO 40%

VS.

Modular Guide (DFG)



INSTALLATION STEPS*

1. Drill/tap holes in mounting surface to match the DFG mounting pattern
2. Fasten DFG rail to surface
3. Install and align carriages (4) to rail
4. Install carriage plate over carriages and fasten mounting screws while applying specified downward force to carriage
5. Test for alignment and performance by moving carriage assembly over entire length looking for smooth motion (no binding)
6. Loosen fasteners and repeat steps 4-8, if necessary.

BILL OF MATERIAL (1m long)

Qty	Description	Cost
16	Fasteners	8.00
1	DFG Assembly	85.00
1 hour of labor to assemble @ \$35.00/hr		35.00

TOTAL PROJECT COST \$128.00

*Benchmark Application Requirements: 100 lbs. of load, 1 meter travel.

Product information available at uniguide.pbclinear.com
For technical & application information call **1-800-962-8979**

The data and specifications in this publication have been carefully compiled and are believed to be accurate and correct. However, it is the responsibility of the user to determine and ensure the suitability of PBC Linear™ products for a specific application. PBC Linear™ only obligation will be to repair or replace without charge, any defective components if returned promptly. No liability is assumed beyond such replacement. Specifications are subject to change without notice. LITGST-007 10.10

PBC
LINEAR
A PACIFIC BEARING CO.