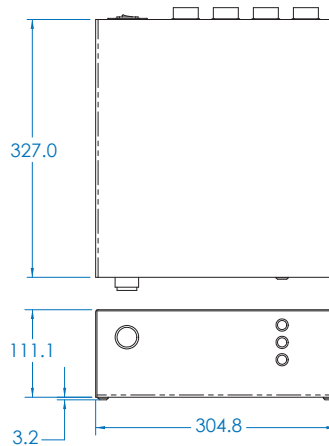




### Feature Summary:

- 1 to 4 axes of servo motor drive
- Integrated Galil motion controller
- Ethernet or RS-232 interface
- 48 & 75 VDC motor supply option
- Integrated motor power control system
- Compatible with all Primatics positioning stages as well as 3rd party motors and stages
- Easy to program with support for DOS, Linux and all versions of Windows
- 110 or 220 VAC, 50/60 Hz input



### Overview

The Primatics MDC2100 is a highly integrated multi-axis motion control system. A Galil high performance motion controller is embedded, offering advanced features such as PID compensation with velocity and acceleration feed-forward, program memory with multitasking for simultaneously running up to four programs, and uncommitted I/O for synchronizing motion with external events. Modes of motion including point-to-point positioning, jogging, linear and circular interpolation, contouring, electric gearing and ECAM. The MDC2100 uses a simple, English-like command language which makes it

very easy to program. Communication drivers are available for DOS, Linux and all current Windows operating systems. RS232 & Ethernet 10-base-T are standard communication interfaces.

### Drives

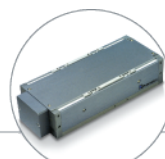
All power supplies, wiring and safety circuits are contained in the chassis. Each axis can drive brush or brushless servo motors with encoder feedback. Gain and Current limits are programmable. For stepper drives, see the MDC2200. For a mix of stepper and servo, see the MDC1400.



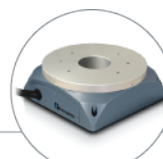
MDC2100 Back View

For more information and a complete datasheet, go to [www.primatics.com](http://www.primatics.com)

| Performance Specifications      | MDC2100                                     |
|---------------------------------|---|
| Number of Motion Axes           | 1 to 4                                      |
| Motor Compatibility             | Brush and brushless rotary and linear servo |
| Motion Controller               | Galil 21x3 Series                           |
| Motor Voltage (VDC)             | 48 or 75VDC                                 |
| Continuous Output Power (watts) | 700   |
| Drive Current (A)               | 7 cont / 10 peak                            |
| Dimensions (H x W x D) (mm)     | 111.1 x 304.8 x 327.0                       |
| Operating Temperature (deg C)   | 0 to 45                                     |
| Storage Temperature (deg C)     | 0 to 75                                     |
| Weight (kg)                     | 15  |



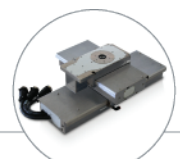
Linear Positioning



Rotary Positioning



Motion Controls



OEM Solutions

# MODEL NUMBER CONFIGURATION

OPTIONS :

SAMPLE MODEL NUMBER :

MDC2100 - 4 - 48VW1 - D1 - D1 - D1 - D1 - XXXX

**Model Series**  
1-4 Axis Controller ..... MDC2100

**Number of Axes**  
1 Axis ..... 1  
2 Axis ..... 2  
3 Axis ..... 3  
4 Axis ..... 4

**Amplifier Bus Voltage**  
48V, 700W ..... 48VW1  
60V, 700W ..... 60VW1

**Driver Card\***  
Brushless Servo ..... D1

**Customization Code (optional)**  
Leave blank for 110VAC operation  
220VAC operation with a NEMA 6-15 plug ..... 220US  
220VAC operation with a European (Schuko) plug . . . 220EU  
220VAC operation with a British Standard plug . . . 220BS

Other codes assigned by factory.

\*Specify each axis  
†Call factory for custom controller interfaces.

