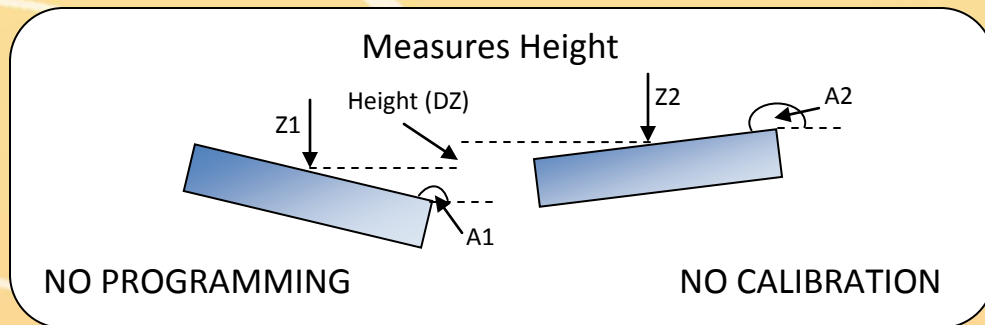


# Lucana M Height Sensor



The Lucana M Height sensor can measure the height between two surfaces. Our innovation allows Lucana M Height sensor to perform measurements automatically without calibration, setup, or programming.

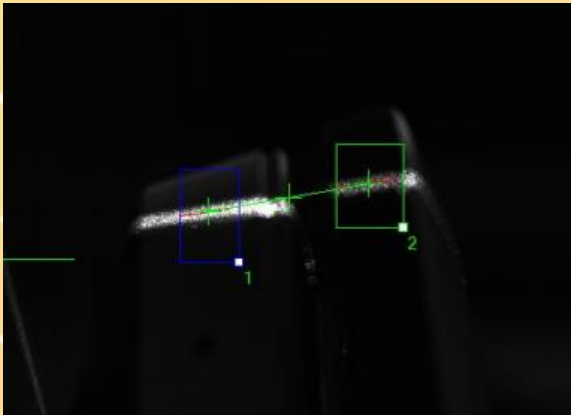


- Cost Effective
- Front Measurement
- Handheld or Attached
- Measures Gap Width
- Measures Flush Height
- Measures on the Fly

# Lucana M Height Sensor



## User Interface



The user interface for Lucana M Height measuring the height between two surfaces. The user can view the measurements of height in millimeters or inches and set the tolerance for pass or fail. The data can be sent to another device via UDP, TCP/IP protocol as well as log the data locally or on any network drive.

**Operation**

Start    Once    Save Image

Stop    Calc. Time: 207 ms  
Total: 309 ms

**Data Logging**

Part List: abc123

Enable Logging     Add    Delete

**Measurements**

Angle1	-24.78	degree	●
Z1	64.87	mm	●
Angle2	243.58	degree	● Units
Z2	85.22	mm	●
DZ	20.35	mm	● IN

**Tolerances**

Max A1	0	Max A2	0	deg
Min A1	0	Min A2	0	deg
Max Z1	0	Max Z2	0	mm
Min Z1	0	Min Z2	0	mm
Max DZ	0			
Min DZ	0			

Apply

**Transfer/Trigger**

Enable I/O     Trigger I/O

Trigger UDP     Pushbutton Trigger

Trigger TCP/IP     Trig = 't'    PORT = 9000

**Exposure Control**

34 ms    Apply

**Parameters**

Edge Strength: 30    I.E.: 30    Apply

S/N: 4002708083

0

Exit    Help

Continuous Measurement, single measurement and time

Data Logging to local or network drive with ability to specify a tag such as part list

Measurement in millimeter or inches and degrees

Tolerance setting for pass/fail output to digital to digital I/O (Optologic) or set flag in communication.

Communications TCP/IP, UDP, and I/O (Optologic)

Control to accommodate different surface reflectance

# Lucana M Height Sensor

## Specifications



<b>Measurements</b>	Gap and Flush
<b>Resolution</b>	
<b>On Center</b>	± 0.076 mm / 0.003 in
<b>Within Box</b>	± 0.127 mm / 0.005 in
<b>Minimum Height</b>	0 mm/0 in
<b>Maximum Height</b>	30 mm/3.5 in
<b>Nominal Standoff distance</b>	85 mm/3.35 in
<b>Output</b>	UPD, TCP/IP, Digital I/O Data Logging
<b>Dimension</b>	
<b>Sensor</b>	(w x h x d) 25.4 x 25.4 x 177.8 mm, 2 x 2 x 7 in
<b>Processor</b>	(w x h x d) 166 x 48 x 157 mm, 6.5 x 1.9x 6.2 in
<b>Input voltage</b>	12V
<b>Input current</b>	5A
<b>Environmental</b>	
<b>Storage Temperature</b>	-10° C to +70° C
<b>Operating Temperature</b>	+5° C to + 50° C