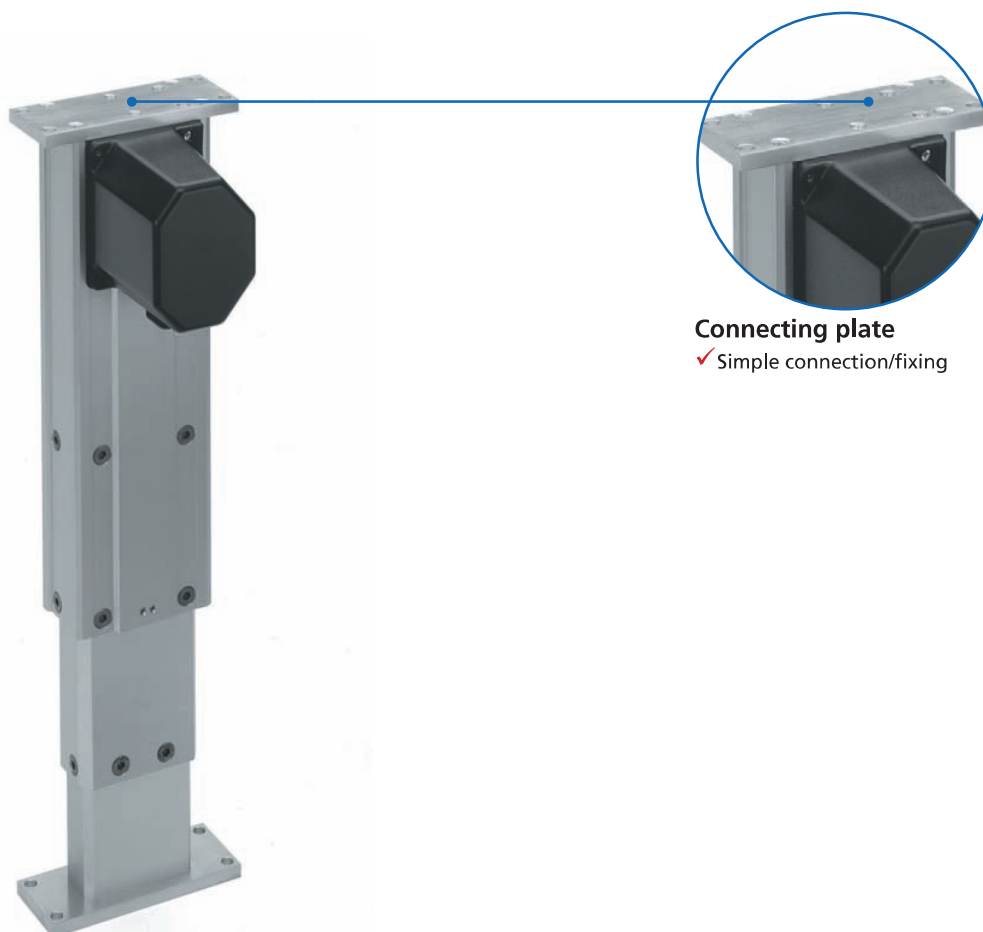


Multi-stage lifting columns - LAMBDA Colonne

Powerful drive for large lifting forces



Connecting plate

✓ Simple connection/fixing

Features:

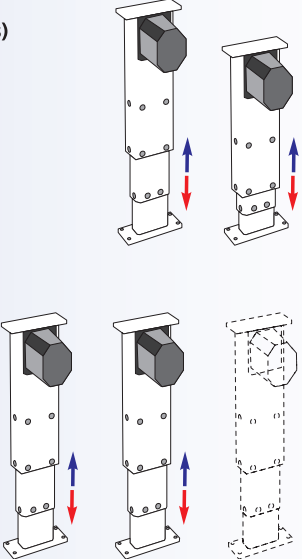
- High lifting force
- Can be installed in any position
- Guides set to minimum play
- Integrated limit switches
- Self-locking, even at max. load

- With thermal motor protection
- Supports mono and synchronous applications
- Integrated potentiometer for synchron operation

Options:

- Special stroke lengths
- Longer duty cycle

LAMBDA Colonne - Table of contents

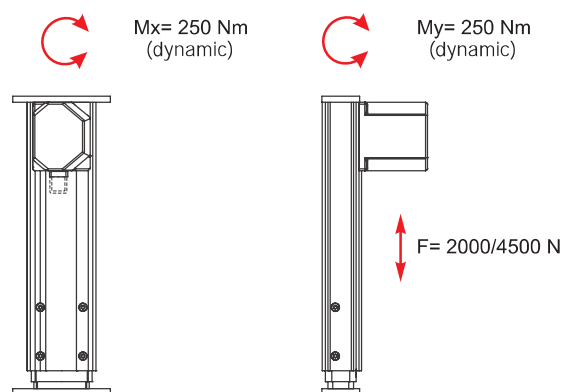
<p>Properties/Technical data</p>	<ul style="list-style-type: none"> ■ General information/operating conditions... 420 ■ Load data..... 420 ■ Parallel/synchronous operation..... 421
<p>Versions (Dimensions, order numbers)</p> 	<ul style="list-style-type: none"> ■ LAMBDA Colonne mono 422 ■ LAMBDA Colonne synchro 422
<p>Accessories</p> <p style="text-align: center;">Position determination</p>	<ul style="list-style-type: none"> ■ Controls 423 ■ Hand switches 423

LAMBDA Colonne – Technical data

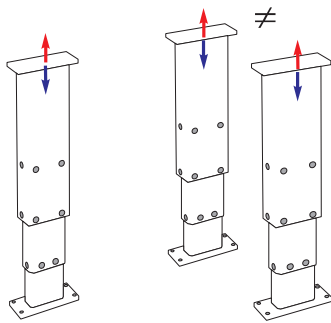
General information/operating conditions

	Drive	External control
Design	Lifting column with integrated DC motor	
Guide	Slide guides made of POM	
Installation position	Any position	
Push force/pull force	Up to 4500 N	
Self-locking	Up to 8000 N	
Ambient temperature	-20°C to +60°C	
Duty cycle (at max. load)	10% at nominal load (max. 2 mins operating time, 18 mins rest time)	
Voltage	24 V DC	230 V AC
Current consumption	Max. 7 A	according to drive
Power input	Max. 180 W	according to drive
Protection class	IP 40 (IP 54)	IP 54

Load data



LAMBDA Colonne mono

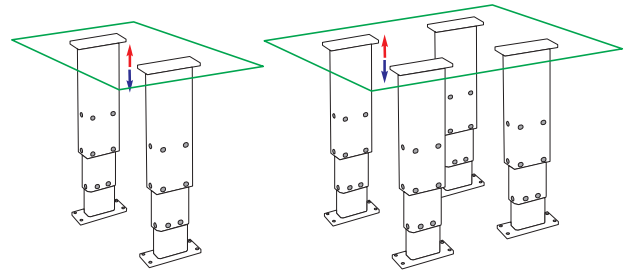


1-2 LAMBDA Colonne in single or parallel operation

Parallel operation

The standard version also supports parallel operation of two LAMBDA Colonne (no synchronisation). This may produce different lifting positions during operation, which can be levelled out by moving to the end positions.

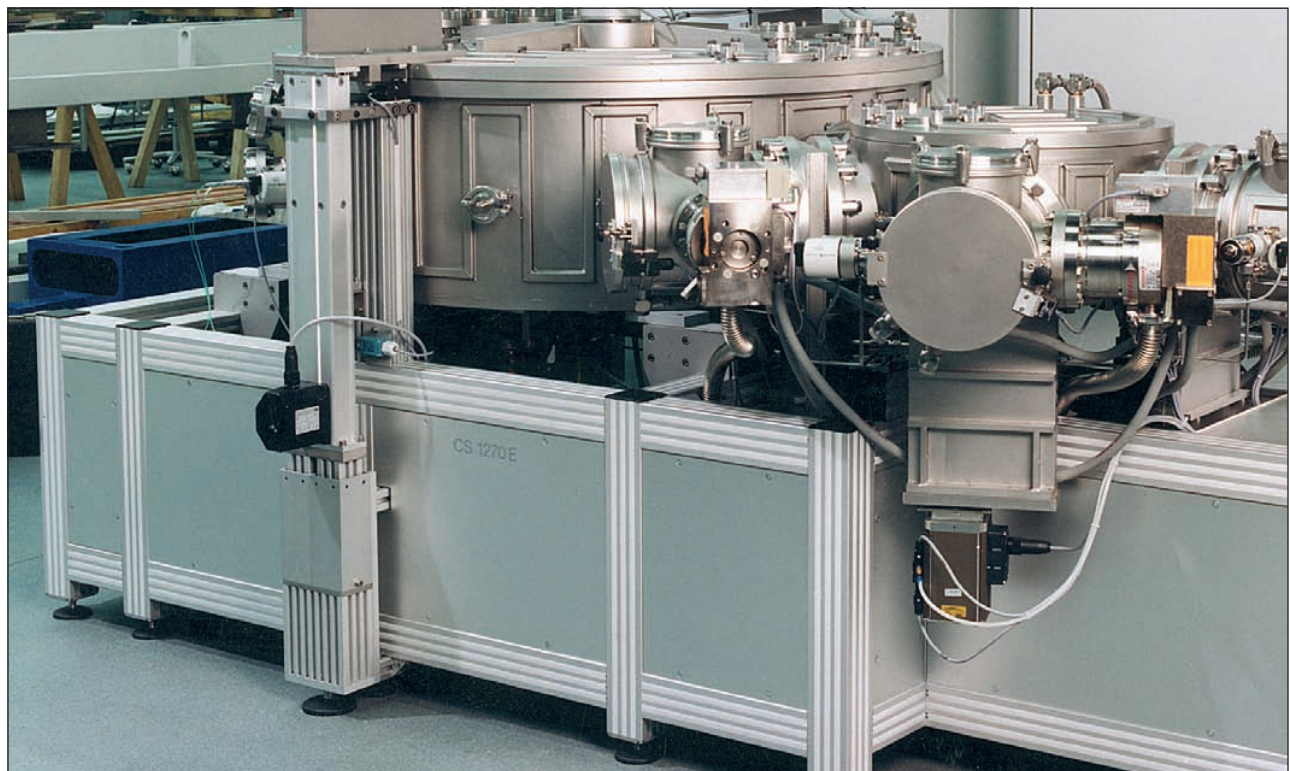
LAMBDA Colonne synchro



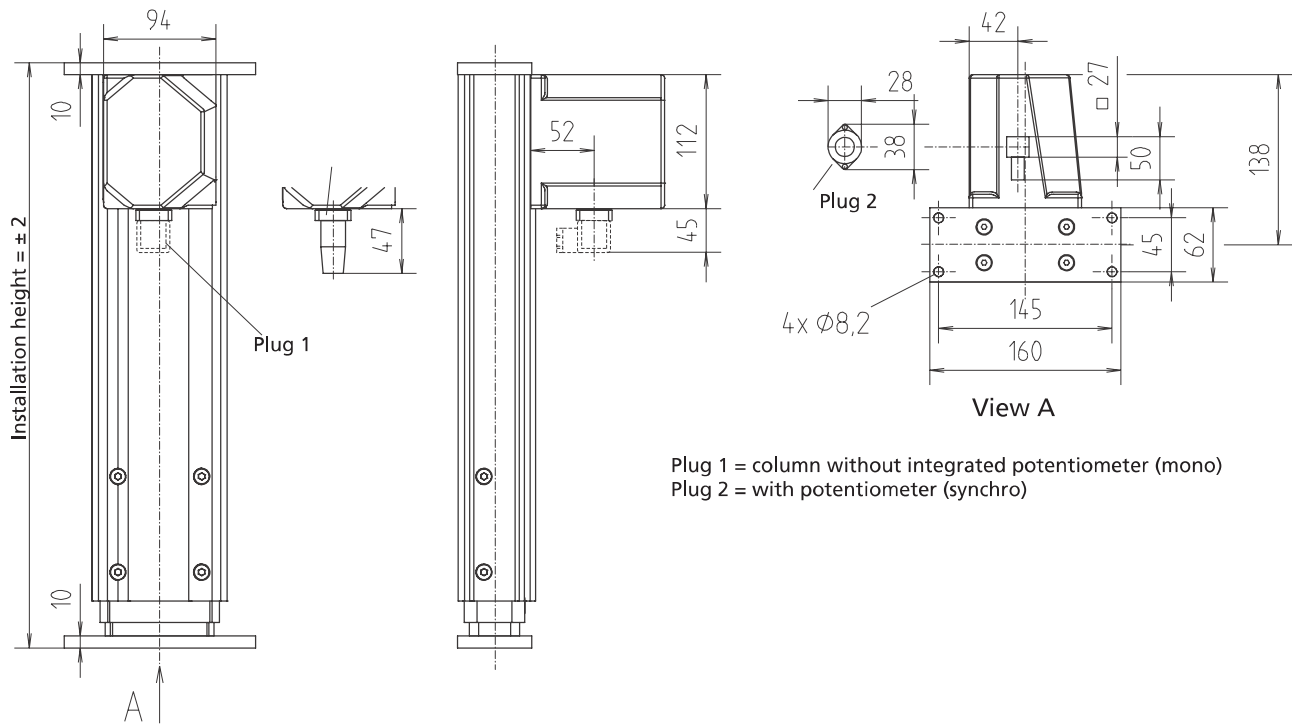
2-4 LAMBDA Colonne in synchronous operation

Synchronous operation

Synchronous operation of two or more columns. In conjunction with the integrated sensors, the control (see page 640) ensures synchronisation, and thus constant alignment of all the columns in both directions of travel, even if subject to different loads. The synchronous operation tolerance depends on the lifting speed and is max. 6 mm.



LAMBDA Colonne - Versions



Plug 1 = column without integrated potentiometer (mono)
 Plug 2 = with potentiometer (synchro)

LAMBDA Colonne mono

Code No.	Type	Push force/pull force [N]	Lifting speed [mm/s]	Stroke length [mm]	Installation height [mm]	Weight [kg]
LAMBDA mono without potentiometer, plug 1						
QKL20BA020200	LBC 12	2,000	20	200	410	~5.2
QKL20BA020300	LBC 13	2,000	20	300	460	~5.6
QKL20BA020400	LBC 14	2,000	20	400	510	~6.0
QKL20BA020500	LBC 15	2,000	20	500	610	~7.0
QKL20BA020600	LBC 16	2,000	20	600	710	~8.0
QKL10BB020200	LBC 112	4,500	8	200	410	~5.2
QKL10BB020300	LBC 113	4,500	8	300	460	~5.6
QKL10BB020400	LBC 114	4,500	8	400	510	~6.0
QKL10BB020500	LBC 115	4,500	8	500	610	~7.0
QKL10BB020600	LBC 116	4,500	8	600	710	~8.0

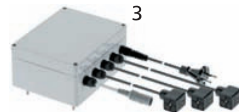
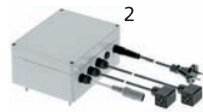
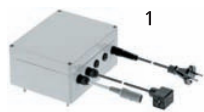
LAMBDA Colonne synchro

Code No.	Type	Push force/pull force [N]	Lifting speed [mm/s]	Stroke length [mm]	Installation height [mm]	Weight [kg]
LAMBDA synchro with potentiometer, plug 2						
QKL20BA010200	LBC 22	2,000	20	200	410	~5.2
QKL20BA010300	LBC 23	2,000	20	300	460	~5.6
QKL20BA010400	LBC 24	2,000	20	400	510	~6.0
QKL20BA010500	LBC 25	2,000	20	500	610	~7.0
QKL20BA010600	LBC 26	2,000	20	600	710	~8.0
QKL10BB010200	LBC 122	4,500	8	200	410	~5.2
QKL10BB010300	LBC 123	4,500	8	300	460	~5.6
QKL10BB010400	LBC 124	4,500	8	400	510	~6.0
QKL10BB010500	LBC 125	4,500	8	500	610	~7.0
QKL10BB010600	LBC 126	4,500	8	600	710	~8.0

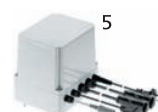
Controls

- Input voltage 230 V AC
- Output voltage 24 V DC

Transformer control



Synchronous control



Code No.	Version		Fig.
Controls for Lambda Colonne mono			
QZA01C04AD011	LBG 1 transformer control	Controls up to 1 drive	1
QZA01C04AE011	LBG 2 transformer control	Controls up to 2 drives	2
QZA01C04AF011	LBG 3 transformer control	Controls up to 3 drives	3
Controls for Lambda Colonne synchro			
QZA10C01AG011	LBS 2 synchronous control	2 drives, synchronous	4
QZA10C01AH011	LBS 2+1 synchronous control	Controls up to 3 drives, 2 x synchronous + 1 additional drive	5

For dimensions and additional technical data, please refer to the chapter "Controls" on page 658ff.

Hand switches



Code No.	Version
QZB03C02AD031	hand switch with fixing clip, 6 function keys, individual control of up to 3 drives