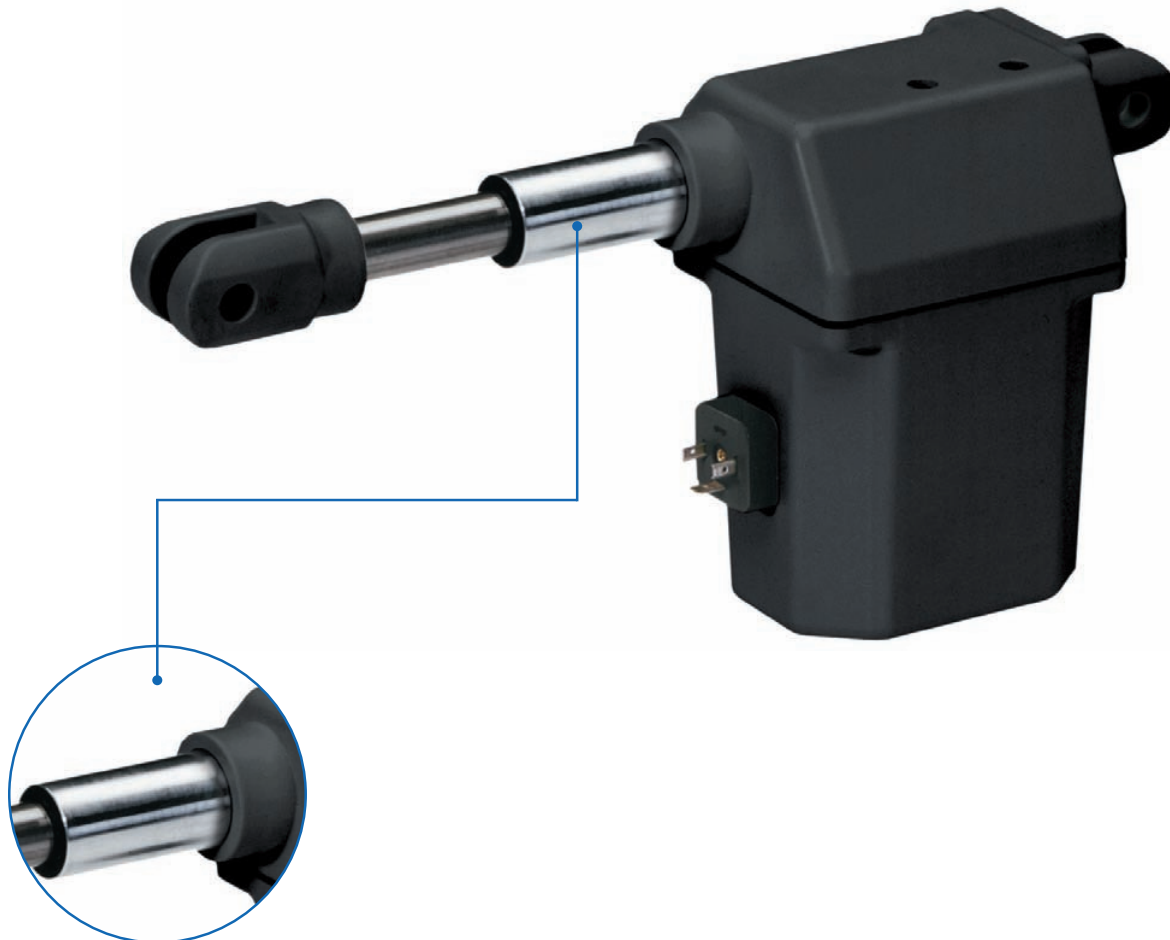


LAMBDA Electric cylinder



- ✓ Precise adjustment
- ✓ Stainless steel push rod

Features:

- Integrated limit switches
- Corrosion protected: push rod made of stainless steel; housing made of plastic
- Self-locking, even under max. lifting force
- With thermal motor protection

- Fixing via clevises Potentiometer
- Jam protection in pull direction

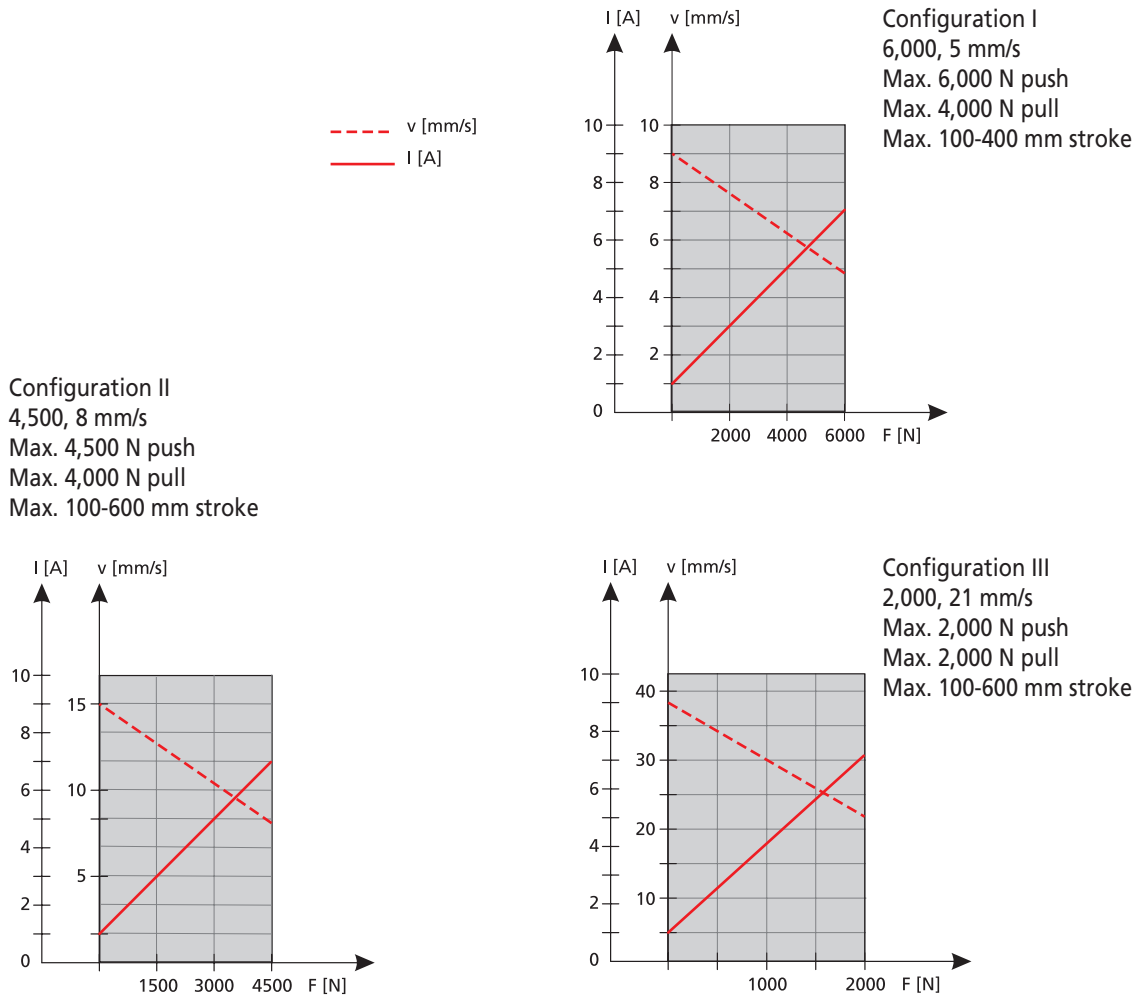
Options:

- Special stroke lengths
- Faster travel speeds
- Adjustable even in the event of power failure (can be mechanically disengaged)
- Signal contacts
- Jam protection in push direction

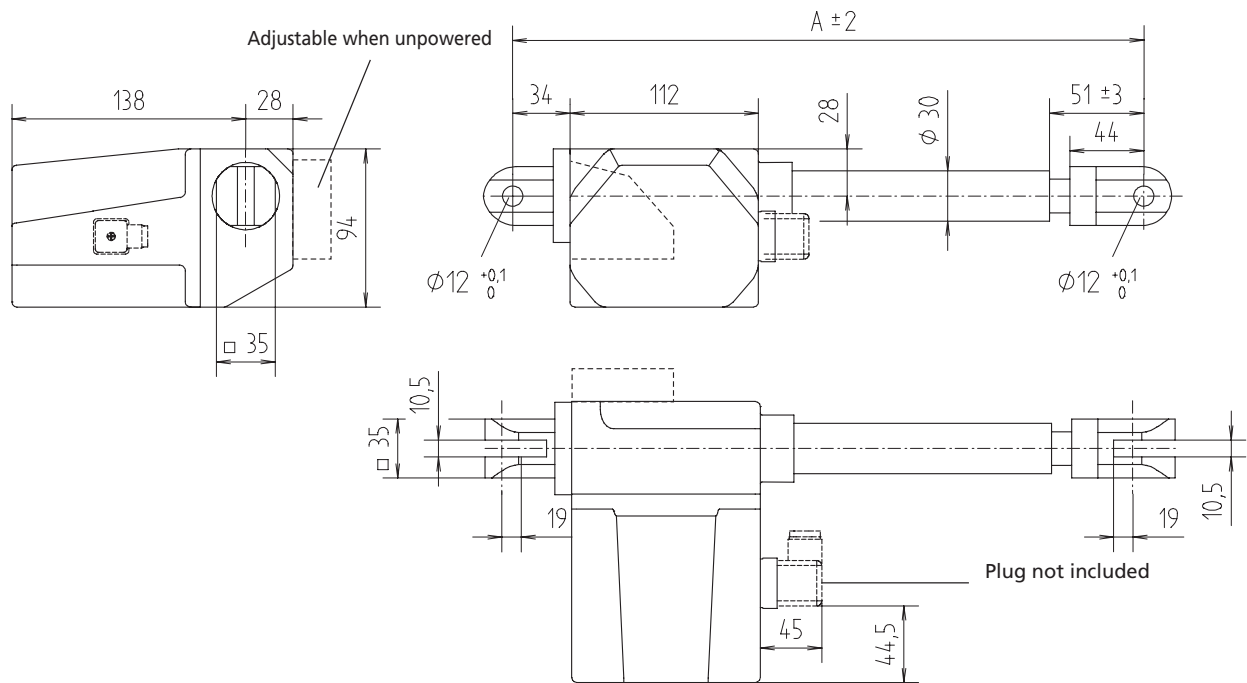
General information/operating conditions

	Drive	External control
Design	Linear cylinder with integrated DC motor	
Guide	Slide bush	
Installation position	Any position, without shear forces	
Push force/Pull force	Up to 6000 N push /4000 N pull	
Self-locking	Up to 6000 N	
Ambient temperature	-20°C to +60°C	
Repeatability	0.5 mm	
Duty cycle (at max. load)	10% at nominal load (max. 2 mins operating time, 18 mins rest time)	
Voltage	24 V DC	230 V AC
Current consumption	Max. 7 A	As for drive
Power input	Max. 180 W	As for drive
Protection class	IP 66	IP 54

Power diagram



LAMBDA - Versions



[mm]

Stroke	100	150	200	250	300	400	500	600
Installation dimension A	Stroke + 175					Stroke + 225		

LAMBDA versions

Code No.	Type	Max. force F [N]		Max. speed [mm/s]
		Compressive	Tensile	
QKK05BC0_0_	LBM	6,000	4,000	5
QKK08BB0_0_	LBM	4,500	4,000	8
QKK21BA0_0	LBM	2,000	2,000	21

e.g. stroke [mm] = 150

- 0 = Twin for synchronous controls/without clamping protection
- 1 = Without potentiometer/without clamping protection
- 2 = With potentiometer 10 K Ω /without clamping protection
- 3 = Without potentiometer/with clamping protection during tensile force

Note:
The clamping protection takes effect at approx. 2% of the nominal force

Stroke [mm]	Weight [kg]
100	2.3
150	2.5
200	2.7
250	2.9
300	3.1
400	3.5
500	3.9
600	4.3

Not for 6000 N

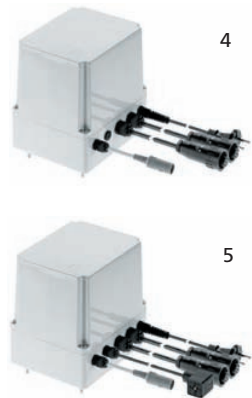
Controls

- Input voltage 230 V AC
- Output voltage 24 V DC

Transformer control



Synchronous control



Code No.	Version		Fig.
Transformer control			
QZA01C04AD011	LBG 1 transformer control	Controls up to 1 drive	1
QZA01C04AE011	LBG 2 transformer control	Controls up to 2 drives	2
QZA01C04AF011	LBG 3 transformer control	Controls up to 3 drives	3
Synchronous control			
QZA10C01AG011	LBS 2 synchronous control	2 electric cylinders, synchronous	4
QZA10C01AH011	LBS 2+1 synchronous control	Controls up to 3 electric cylinders, 2x synchronous + 1 additional electric cylinder	5

Note: For dimensions and other technical data, please refer to page 658-661

Hand switch/accessories



Code No.	Version		Fig.
QZB03C02AD031	LAMBDA hand switch with fixing clip – 6 function keys	Controls up to 3 drives	2
QZD000072	Bracket for hand switch		3