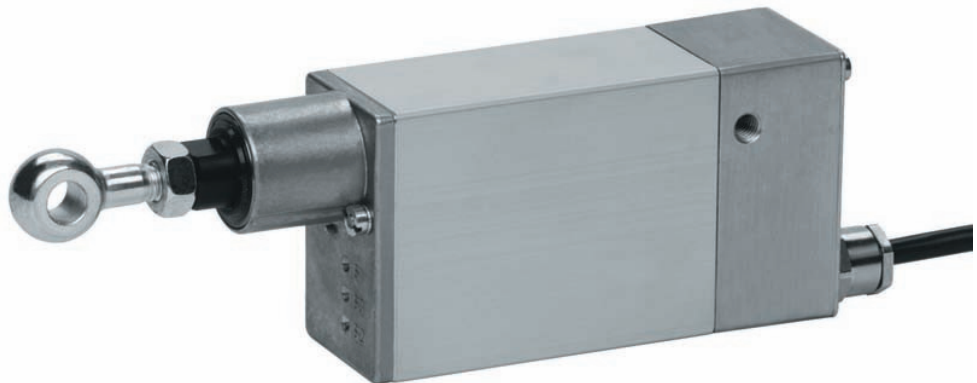


Cylinders - performance class 1



M9 Electric cylinder



M10, LH10; LH11; LH950 Electric cylinder

Features:

- M9, M10, LH10; LH11 and LH950 are maintenance-free – due to permanent lubrication
- Both versions have integrated limit switches
- M9 is fitted with bellows as standard

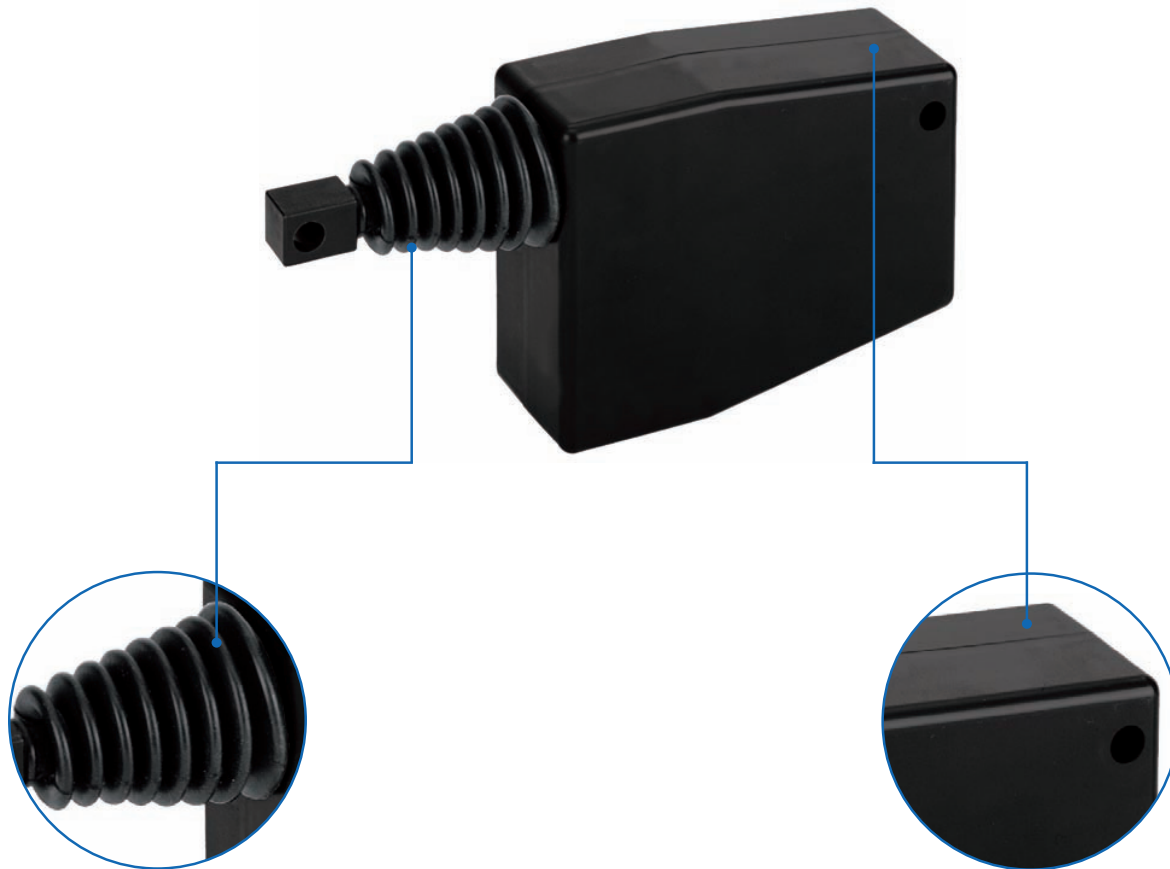
Options:

- M10, LH10; LH11; LH950 can be fitted with bellows

Cylinders - performance class 1 - Table of contents

M9 Electric cylinder	
Properties/Technical data	<ul style="list-style-type: none"> ■ General information - operating conditions 283
Version	<ul style="list-style-type: none"> ■ M9 Electric cylinder 283
M10, LH10; LH11; LH950 Electric cylinder	
Properties/Technical data	<ul style="list-style-type: none"> ■ General information - operating conditions 284
Version	<ul style="list-style-type: none"> ■ 010 Electric cylinder 284 - 286
Fixing	<ul style="list-style-type: none"> ■ Trunnion 287

M9 Electric cylinder



Bellows fitted as standard

- ✓ Protected push rod
- ✓ IP 30

Plastic housing

- ✓ Lightweight
- ✓ Greater durability

Features:

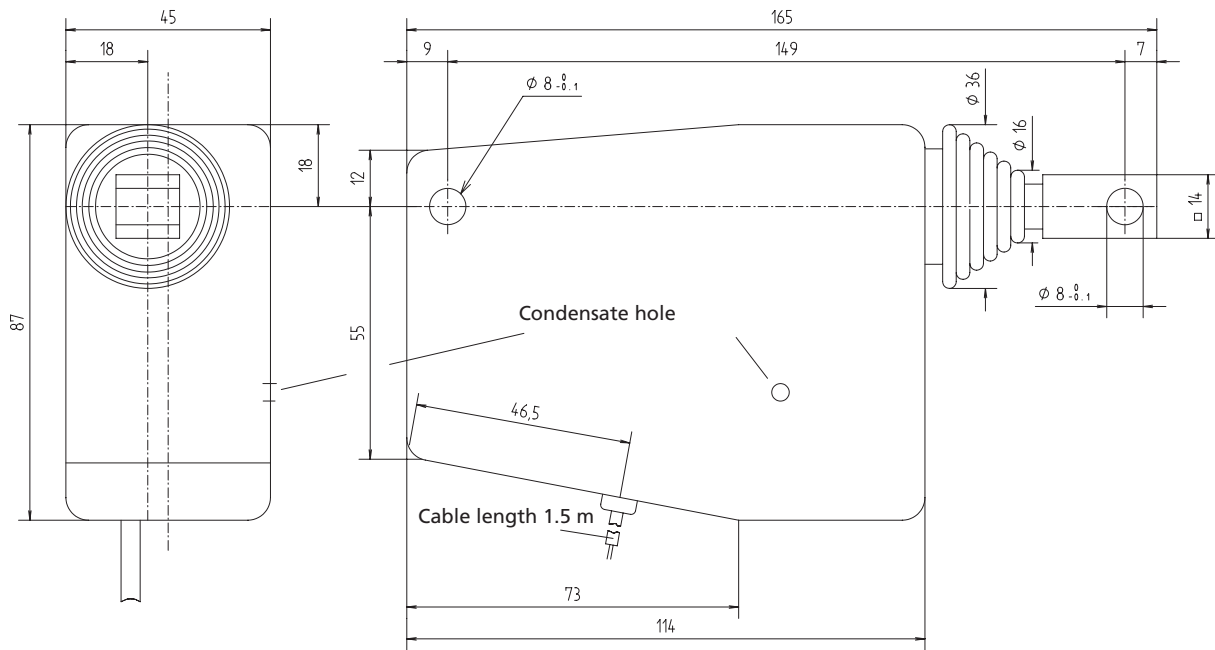
- Plastic housing reduces weight
- Integrated limit switches
- Integrated overcurrent protection
- Maintenance-free (permanent lubrication)
- Self-locking
- M9 is fitted with bellows as standard

Options:

- Special stroke lengths
- Adjustable overall length
- Potentiometer
- Signal contacts
- Diode braking circuit to limit coasting
- Different temperature range

General information/operating conditions

Design	Linear cylinder with integrated DC motor
Guide	Slide bearing
Installation position	Any position, without shear forces, condensate hole must be taken into account
Push force / Pull force	Up to 300 N
Self-locking	Up to 500 N
Ambient temperature	-10°C to +60°C
Repeatability	0.5 mm
Duty cycle (at max. load)	10% at nominal load (max. 2 mins operating time, 18 mins rest time)
Voltage	24 (12) V DC
Current consumption	Max. 0.7 (1.4) A
Power input	Max. 18 W
Protection class	IP 30



Version

Code No.	Type	Max. force F [N]	Max. speed [mm/s]	Stroke length [mm]	Weight [kg]	Operating cycles Double strokes/hour
QKA05_C010050	M 999	300	5	50	0.4	18
QKA15_A010050	M 999.1	125	14			50
QKA02_C010050	M 999.2	300	2			7

Voltage:
B = 24 V DC
C = 12 V DC