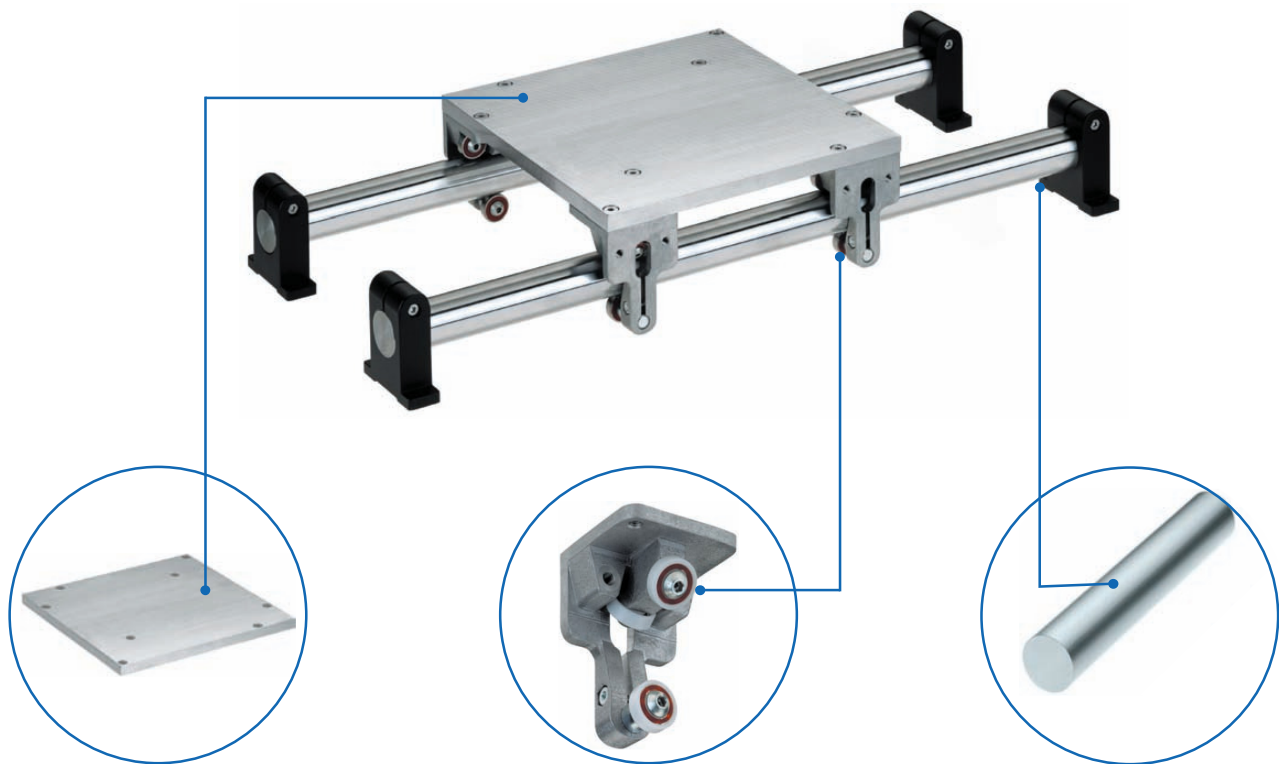


Twin tube guides - RE

Robust guide
for simple adjustment of medium loads



Fixing plate

- ✓ Large plate for the simple connection of components

Rollers

- ✓ Can be adjusted with zero backlash

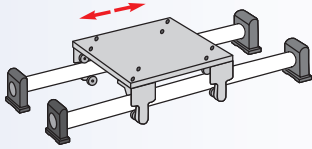
Guide element

- ✓ As hardened shaft

Features:

- Simple and robust design
- Cost-effective

RE linear guide - Table of contents

Properties/Technical data		<ul style="list-style-type: none"> ■ General information/operating conditions..... 76 ■ Load data..... 77
Versions (Dimensions, order numbers) <div style="text-align: center; margin-top: 10px;">  </div>		<ul style="list-style-type: none"> ■ RE linear guide 78 - 79
Accessories	Fixing	<ul style="list-style-type: none"> ■ Fixing plate..... 80 ■ FKW shaft bracket..... 80 ■ Guide shaft 80
	Drive	<ul style="list-style-type: none"> ■ RF/RL roller guide element 81

General information/operating conditions

Design	Simple and robust twin tube guide unit
Guide	Roller guide, can be adjusted with zero backlash
Installation position	Any position
Max. travel speed	2.5 m/s
Self-locking	No
Ambient temperature	0°C to +60°C

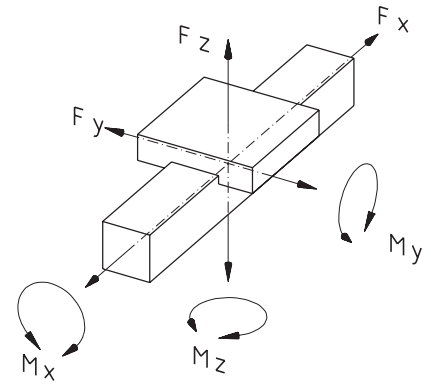


RE - Technical data

Load data

- F Force [N]
- M Moment [Nm]
- I Geometric moment of inertia [cm⁴]

* with reference to carriage (deflection of guide element $f = 1.0$ mm, static, end elements supported)

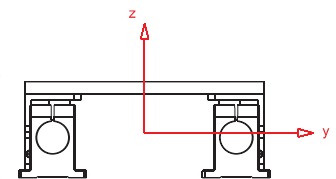


Type	F _y	F _z				M _x	M _y	M _z
Total length [mm]		1500	2000	2500	3000			
RE 30	330	1600	400	200	125	65	65	20
RE 40	600	2400	1050	650	400	155	155	65

Geometric moment of inertia

Type	I _y	I _z
RE 30	8.0	700.0
RE 40	25.1	3348.0

[cm⁴]



RE - Versions

Order information:

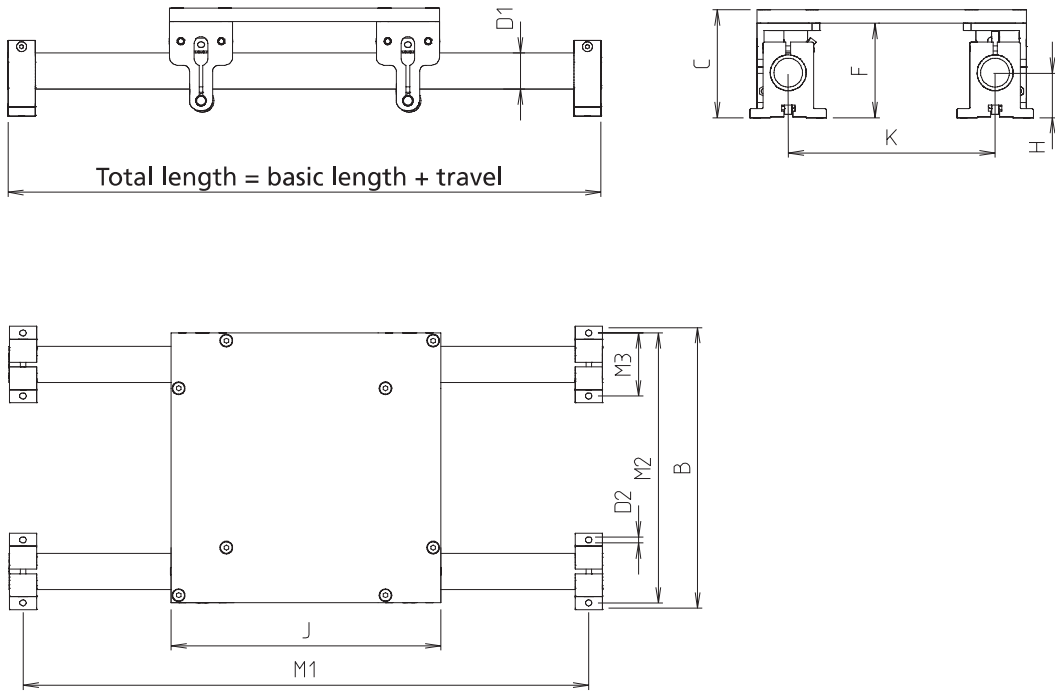
- Longer travel lengths on request

Version ■ Guide



Code No.	Type	Rollers	Guide element	Basic length	B	C	ØD1	ØD2	F	H
MEA3000AA	RE 30	Steel	Shaft, hardened	250	210	98	30	7	86	40
MEA4000AA	RE 40	Steel	Shaft, hardened	360	315	120	40	7	105	50

----- Total length = basic length + travel [mm]



[mm]

I	J	K	M1	M2	M3	max. travel	Mass [kg]	
							Basic length	per 100 mm travel
200	200	140	225	196	56	3000	5,7	1,1
300	300	230	330	300	70	3000	13,5	2,0

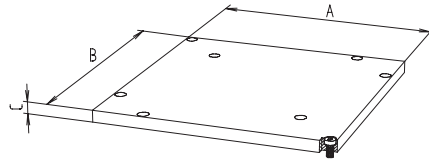
RE – Fixing/Drive

Fixing plate



- Connecting plate for roller guide elements

Material:
Al-K100, surface-ground,
surface roughness $\approx 2\mu\text{m}$



[mm]

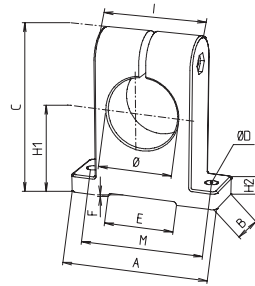
Code No.	A ± 0.4	B ± 0.4	C ± 0.15
6821272020	200	200	12
6821272030	200	300	12
6821573030	300	300	15
6821573040	300	400	15

FKW shaft bracket



- Fixing element for guide shafts/tube

Material:
Body of element, aluminium die casting, black powder-coating,
VA screws



[mm]

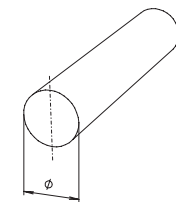
Code No.	Type	Ø h8	A	B	C	Ø D	H1 ± 0.1	H2	I	M
52300013030	FKW 30	30	70	25	72.5	7	40	7	42	56
52400013030	FKW 40	40	85	30	92	7	50	10	56	70

Guide shaft/guiding tube*



- Shaft, induction hardened, ground and polished

- Hardness: 62 HRC.
- Roughness value $R_a \leq 0.35 \mu\text{m}$



[mm]

Code No.	Diameter	Material	Tolerance	max. length
Guide shaft				
8030005	30	Cf53 hard chrome-plated	h7	3000
8040005	40	Cf53 hard chrome-plated	h7	3000

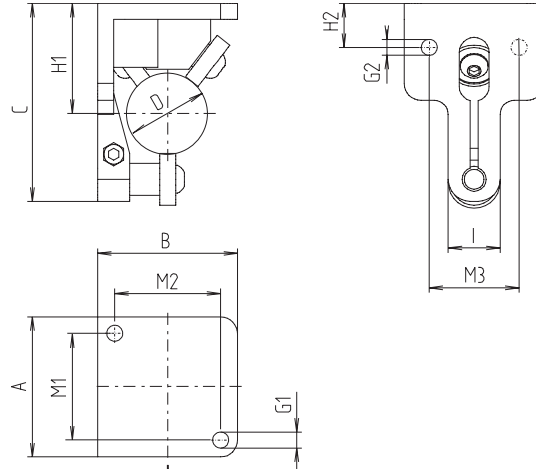
* Cannot be used in conjunction with rollers made of steel



RF roller guide element
-fixed bearing-

- Ready-to-install element
- Can be adjusted with zero backlash
- Choice of steel or plastic rollers

Material: Body of element, aluminium die casting, vibratory finished
Steel parts galvanised



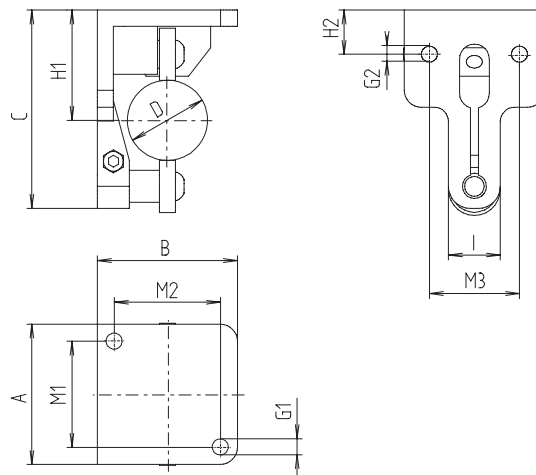
Code No.	Type	Rollers	Max. load [N]	A	B	C	D	G1	G2	H1	H2	I	M1	M2	M3
6023014	RF 30	Steel	700	60	60	83	30	M8-8 deep		46	20	22	44	44	38
6024014	RF 40	Steel	1000	70	70	99	40	M8-8 deep		55	22	26	53	53	45

[mm]

RL roller guide element
-floating bearing-

- Ready-to-install element
- Can be adjusted with zero backlash
- Choice of steel or plastic rollers

Material: Body of element, aluminium die casting, vibratory finished
Steel parts galvanised



Code No.	Type	Rollers	Max. load [N]	A	B	C	D	G1	G2	H1	H2	I	M1	M2	M3
6023024	RL 30	Steel	700	60	60	83	30	M8-8 deep		46	20	22	44	44	38
6024024	RL 40	Steel	1000	70	70	99	40	M8-8 deep		55	22	26	53	53	45

[mm]