



RK ROSE+KRIEGER



*We are Dedicated to
Achieving Customer
Satisfaction Through
Continuous
Improvement.*



Rose+Krieger, a division of PMI, manufactures an extensive line of machine tool components in aluminum, steel and stainless steel for assembly, automation, and production environments.

RK FrameWorks[®], an easy-to-assemble extruded aluminum construction system consisting of a variety of extruded aluminum beams and hidden hardware connectors, is ideal for building industrial frames, workstations, machine guards, and production lines. The system offers design flexibility using “off-the-shelf” components and permits fast easy assembly of permanent and semi-permanent structures without costly machining or welding.

RK ClampWorks[®], a diverse and economical line of cast aluminum, steel or stainless steel clamps and tubing in metric/inch sizes, offers positioning and repositioning of production line structures. RK ClampWorks[®] is used for constructing or fixturing practically anything permanent or temporary, without the need for machining, welding, threading, fitting or special tools. Just twist the quick-release handle or turn a screw.

RK LinearWorks[®], a full complement of linear positioners, is essential to the machine integration process. RK LinearWorks[®] units are used for X, Y, and Z axes movements to fill many different design needs, whether it be left or right independent movement, single movement, or left and right bi-directional movement. Choose from sliding, lead-screw or motor-driven applications.

RK LiftWorks[®] includes a series of electronic lifting units and actuators for the industrial market.

We have attempted to present the information about our products in this catalog in a straight-forward manner. We offer this information as accurate at the time of publication. Specifications are subject to change without notice. Rose+Krieger is not responsible for inadvertent errors.

©2010 Phoenix Mecano Inc., Frederick, MD 21704
Phoenix Mecano Inc. is ISO 9001:2000 Certified.

About Us



RK ClampWorks®

A versatile tube connection system consisting of cast aluminum clamps and tubing in metric/inch sizes, for fast positioning and repositioning of production line structures.



RK FrameWorks®

An easy to assemble extruded aluminum construction system, ideal for building industrial frames, workstations, machine guards and production lines.



RK StairWorks®

An innovative system of flush-fitting tube and joint clamps for building stairs, stair railings, guard railings, scaffolding, and working platforms of all kinds.



RK LinearWorks®

RK LiftWorks®

LinearWorks, a complete line of linear motion units essential to machine integration. LiftWorks includes electronic lifting units and actuators for the industrial market.



RK Rose+Krieger's product lines include a broad range of electro-mechanical components in aluminum and steel for assembly, automation and production environments. The "Works" from RK Rose+Krieger features RK ClampWorks® with over 1000 die-cast aluminum clamps in metric and inch sizes, complemented by numerous sizes of precise aluminum and steel tubing. RK StairWorks®, an easy to assemble system for constructing stairs, railings, and working platforms requires no special assembly tools. RK FrameWorks® is an aluminum extrusion construction system offering over 100 close-tolerance aluminum extruded profiles and various types of connectors, including RK Rose+Krieger's patented "Hidden Bracket" connection. RK LinearWorks® includes a complete line of linear motion units, including rolling guides, acme spindle units and timing belt linears, and the newest member of the RK Works™ family is RK LiftWorks®, a series of electronic lifting units and actuators for the industrial market.



RK Rose+Krieger is a customer service oriented manufacturer offering standard and customer-specific products and services. No project is too large or too small.

RK Rose+Krieger, a division of Phoenix Mecano, offers the highest quality products and services in the industry, all competitively priced. The North America headquarters, warehouse and manufacturing facilities are located in Frederick, Maryland. Visit our website, www.rose-krieger.com for details on our distributors and sales representative.

RK Rose+Krieger strives to exceed customer expectations through innovative high-quality products. RK Works™ provides the building blocks for sophisticated machine design, automation, and production line construction.

Terms and Conditions



This is an overview of our Terms and Conditions. A full written version is available on request. Terms and Conditions are subject to change without notice.

CATALOG LISTINGS	Most products listed in this catalog are available, at our stocking location in Frederick, Maryland. On occasion slow moving items may have to be brought in from our sister company in Germany. All specifications and descriptions are current, as of the time of publication. Product listings, specifications, availability, and pricing are subject to change without notice. Detailed drawings are available on the internet and directly from the company on request.
PRODUCT WARRANTY	<p>Phoenix Mecano Inc. warrants all its products to be free from defects in materials and workmanship. Phoenix Mecano's liability under this warranty shall be limited to ninety days after delivery of the product to the original purchaser. Disputed product must be returned to Phoenix Mecano with prepaid transportation charges. After examination by Phoenix Mecano, should the product be found to be defective we will repair or replace it from our factory. Any defect is to be determined by accepted testing methods at Phoenix Mecano Inc. Any returned product found to be defective would become the property of Phoenix Mecano, Inc.</p> <p>Phoenix Mecano Inc. shall not be liable to the purchaser for the cost of repairs, alterations, replacement, or any other expenses (including loss of profits, additional labor costs, or injury to persons or property caused by defective material or parts) incurred by the purchaser, their employees, or agents. One exception would be where Phoenix Mecano had previously authorized such repairs, alterations, or consequential damages.</p> <p>This warranty shall not apply to products, which have been altered or repaired, except by Phoenix Mecano, Inc., or which have been subjected to misuse, negligence, or accident, including the use or operation of the products while parts are loose, broken, out of order, or damaged by the elements.</p> <p>This warranty supersedes all other warranties, expressed or implied, including any implied warranty of merchantability, and of all other obligations or liability on the part of Phoenix Mecano, Inc.</p>
PRICING	RK Rose+Krieger offers standard OEM pricing based on quantity price breaks. For pricing information please contact our RK Rose+Krieger sales staff or your local distributor. Prices are subject to change without notice.
RETURNS	<ol style="list-style-type: none">1. All returns must be accompanied by an RMA (return merchandise authorization). Please call your inside salesperson for an RMA number. Invoice or Packing Slip number must accompany return.2. All returns due to customer error must be made within 30 days from the date of the invoice.3. Warranty returns must be made within 90 days from the date of the invoice.4. All returned product must be in resalable condition and in the original carton.5. Off-the-shelf parts, returned due to customer error, are subject to a minimum 15% restocking charge.6. Defective merchandise returns are evaluated on an individual basis.7. Parts that have been modified and special order items are not returnable.
METHODS OF PAYMENT	RK Rose+Krieger has four methods of payment; Net 30 day credit, C.O.D, credit card and pre-payment.
NET 30 ACCOUNTS	Net 30-account status is generally granted to qualified customers with appropriate credit and banking references. Terms of payment are net 30 days. Past due accounts are subject to late payment charge of 1½% per month.
C.O.D. ACCOUNTS	C.O.D. orders for product that has value-added operations performed by RK Rose+Krieger require 50% down payment at time of order. The balance will be collected at time of shipment.
CREDIT CARD ACCOUNTS	RK Rose+Krieger accepts American Express, Discover, Master Card, Visa, or electronic funds transfers.
PREPAYMENTS	Payments can be made electronically directly to our bank account. Please contact an Accounts Receivable representative for our banking information.
TO OPEN A NEW ACCOUNT	To open a new account, please complete the credit application form in the back of this catalog. Fill out all references for credit contact. Names, addresses and telephone numbers will speed processing of your application. RK Rose+Krieger must have the credit application filled out in writing and signed BY CUSTOMER ONLY. Applications may be mailed or faxed (301-696-9493) to our Accounting Department in order to process a credit request. Please allow sufficient processing time.
SALES TAX	We are required by law to charge and collect Maryland sales tax. If you wish to avoid us charging state sales tax, you must submit a state sales tax exemption certificate annually to RK Rose+Krieger. Sales tax will always be charged unless otherwise indicated.
MINIMUM ORDER	All orders are subject to a minimum order value of \$100.00
SHIPMENT DAMAGE	Our products are inspected and carefully packed for shipment. In the event an item is damaged in shipment, you must submit a claim to the carrier within 15 days of delivery. We advise that you unpack and inspect all merchandise immediately upon receiving it. If damage does not become apparent until the shipment is unpacked, keep the shipping carton and make a request within 72 hours for inspection by the carrier's agent and file a claim with the carrier. Any external evidence of loss or damage must be noted on the freight bill. Failure to do this will result in the carrier refusing to honor the claim. RK Rose+Krieger will not be responsible for shipment damage or lost parts due to such damage.
DELIVERY	Items are shipped F.O.B. Frederick, Maryland. All orders are shipped UPS unless the weight prohibits shipment by this method. On heavier shipments we will attempt to ship by the carrier of your choice.
SAME DAY SHIPMENT	All orders to be shipped Air and received by 4 p.m. EST are shipped the same day. All UPS shipments are prepaid and charges added to the invoice, unless otherwise requested.
LARGE ITEMS AND SPECIAL HANDLING	For heavy shipments, common carrier truck is the most economical. Charges are F.O.B. shipping point and the product is shipped freight prepaid and charges are added to your invoice, unless otherwise requested.
BLANKET ORDERS	<ol style="list-style-type: none">1. A "Blanket Purchase Order" is an agreement between two parties, "Seller/Buyer" to purchase a specific quantity of products over a specified period of time "Not to Exceed 12 Months".2. Blanket Orders cannot be changed or canceled without 90-day advance written notice. Customer will be responsible for all parts manufactured for shipment within this 90-day period.3. Blanket Orders canceled for standard items will result in customer being billed back for the difference between the price break of quantity received, versus total quantity ordered.4. Blanket Orders for modified or special order products must state Non-cancelable/Non-returnable on the Purchase Order.5. All Blanket Orders must have firm ship dates stated on the Purchase Order for every release.

- **Spindle Linear Units**

The linear spindle units feature high longitudinal load bearing capacity. Tapered thread spindles with self inhibition as well as ball-type linear drives of high precision are provided for the appropriate positioning tasks.

- **Drive Belt Linear Units**

Dynamic tasks can nearly be solved without them. Toothed-belt linear units are fast and intended for inversion mode with short cycle times. The timing belts HD- and GT- quality reach highest precision when used for positioning jobs.

- **Rack and Pinion Drive Linear Units**

In case of long strokes, spindles and timing belts cannot be utilized efficiently. This is the situation where the toothed rack accomplishes its purpose. Maximal 50 meters can be realized without lower accuracy.

- **Rolling Guide Systems**

These linear units which are not driven are the ideal supplement for the driven units, e.g. if a supporting axle is required due to an eccentric load.

- **Heavy Duty Linear Units D-Line**

Heavy loads have only been moved by linear axes made of steel components until now. The high dead weight, however, must often be moved too. This is unfavorable for the dynamics and the necessary motor size. D-Line combines dynamics and the loading capacity with low dead weight and sounds the bell for a new generation in the field of automation.

- **Lifting Devices and Electric Cylinders**

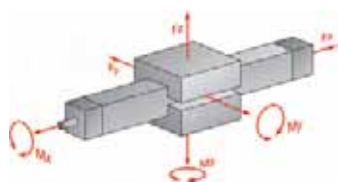
These compact products already include the main functions and safety facilities. Powerful electric cylinders, generating a linear movement by means of motorized connecting rods. Stable lifting devices which also take over guide activities and whose profile surfaces are such that they do not require lining.

- **Positioning Controls and Motors**

RK offers motors and positioning controllers for all model ranges and sizes. The program starts from simple cost-effective versions and finishes with complex servo technology solutions.



Our Linear Components are used to move and position devices of all kinds by means of spindle, timing belt or rack and pinion drives. The program contains a complete range of accessories including handwheels as well as positioning controls and drive systems.



E



max. 110 N
 $\pm 0.1\text{mm} / 300\text{mm}$

L [mm]	Fx 500	Fy 500	Fz 500	Mx	My	Mz	L
Type							
PLM 20x20	125	160	180	3	10	10	855
PLM 40x20	125	200	220	4	14	14	855

RK Compact



max. 1150 N
 $\pm 0.05\text{mm} / 300\text{mm}$

L [mm]	Fx 500	Fy 500	Fz 500	Mx	My	Mz	L
Type							
RK Compact 30	50	160	160	3	3	3	130
RK Compact 50	125	350	350	6	7.5	7.5	350
RK Compact 80	215	600	600	12	18	18	350
RK Compact 120	215	1150	1150	32	59	59	400

quad® EV, AV



max. 6000 N
 $\pm 0.15\text{mm} / 300\text{mm}$

L [mm]	Fx	Fy	Fz	Mx	My	Mz	L
Type							
EV 30	800	600	600	6	11	8	1375
EV 40	1200	1500	1480	25	45	30	2850
EV 50	1800	2220	2300	55	74	50	2830
EV 60	2100	4070	4090	65	100	60	2805
EV 80	2500	6000	6000	80	140	85	2745

PLS-II



max. 2550 N
 $\pm 0.1\text{mm} / 300\text{mm}$

L [mm]	Fx	Fy	Fz	Mx	My	Mz	L
Type							
PLS-II 30	340	790	790	14	20	22	830
PLS-II 40	1675	1020	1020	23	33	33	3000
PLS-II 50	1900	1020	1020	28	49	49	3000
PLS-II 60	2400	2550	2550	99	143	143	2964
PLS-II 80	3050	2550	2550	124	168	169	2916

RK DuoLine S



max. 6000 N
 $\pm 0.05\text{mm} / 300\text{mm}$

L [mm]	Fx 500	Fy 500	Fz 500	Mx	My	Mz	L
Type							
RK DuoLine S 50**	1400	930	1100	45	65	56	2268
RK DuoLine S 80*	2400	1600	1600	68	100	100	2984
RK DuoLine S 80**	2400	2600	3100	152	220	190	2984
RK DuoLine S 120x80*	3400	2550	2550	118	150	150	2924
RK DuoLine S 120x80**	3400	5000	6000	210	430	370	2924
RK DuoLine S 120x80 II**	3400	5000	6000	380	430	370	2924

* roller guide
 ** ball rail system

▼ Referring to the guide table (static values, linear unit is completely supported)

positioning accuracy

max. travel length mm

max. loads Fz

Tubular Linear Unit E

Technical Description

A threaded spindle (7) with corresponding guide nut (9) which is supported in the guide tube 10 converts a rotating movement into a linear movement of the guide element (11). This is protected against twisting by the drive key (8). see drawing on adjoining page.

ACME Spindle

Spindle: Steel, 18-60 rolled design, stainless steel optional 18-60 blasted design, 80 whirled design.

Versions:

- righthand
- lefthand
- right or lefthand
- split spindle

Note: medium speed range, self-locking, antifriction or slide bearing, as an option.

Guide Nut: RG 7

Guide Tube / -Profile

Precision tubing complying with DIN EN 10305 stainless steel profile, material 1.4301. Guiding slot: angular deviation 0.1mm per 300 mm.

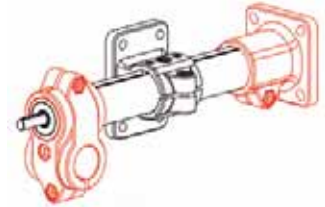
Note: tubes are additionally polished. Peak-to-valley height $R_a=0.4\mu\text{m}$

Bearing:

Spindle bearing: Type 18 flange bearing, 30-80 deep groove ball bearing (sealed) or slide bearing as an option (Teflon coated)

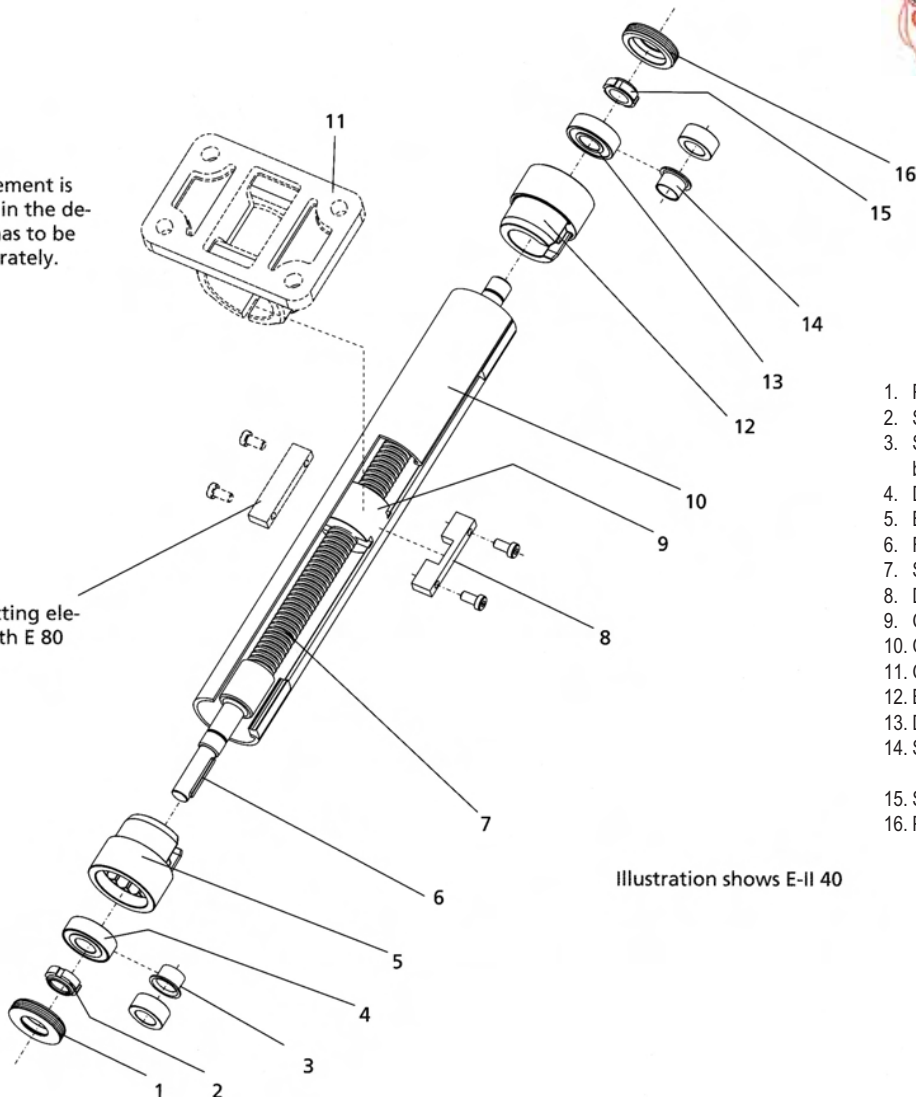
Mounting of the Linear Unit:

According to the installation and application, the linear unit can be fixed with clamping elements.



The guide element is not included in the delivery set. It has to be ordered separately.

Additional fitting element only with E 80



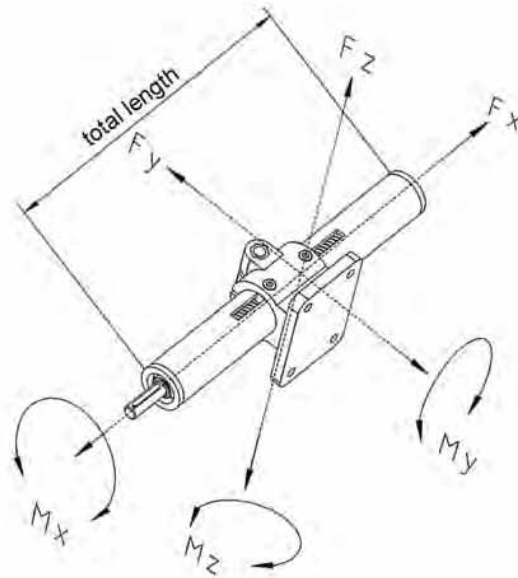
1. Plastic cap
2. Slotted round nut
3. Slide bearing (optional) with distance bushing (30-60)
4. Deep groove ball bearing
5. Bearing sleeve
6. Feather key
7. Spindle
8. Drive key
9. Guide nut
10. Guide tube
11. Guide element
12. Bearing sleeve
13. Deep groove ball bearing
14. Slide bearing (optional) with distance bushing (30-60)
15. Slotted round nut
16. Plastic cap

Illustration shows E-II 40

Tubular Linear Unit E

Load Data*

F	force	[N]
M	moment	[Nm]
I	geo. moment of inertia	cm ⁴



	F _x		F _x			F _z			M _x	M _y	M _z	I _y	I _z
Total Length [mm]	500	500	1000	1500	500	1000	1500	500	1000	1500	500	1000	
Type													
E 18	400	90	10	-	60	8	-	1.5	4	4	0.22	0.22	
E 30	800	500	60	10	500	50	9	6	15	15	1.38	1.38	
E 40	1000	2100	250	60	1900	140	50	14	40	40	4.59	4.59	
E 50	1700	3000	600	140	3000	600	140	30	65	65	11.37	11.37	
E 60	2500	4500	1500	380	4500	1300	320	45	120	120	23.20	23.20	
E 80	4500	5500	2000	550	5650	2500	650	70	170	170	98.72	98.72	

*referring to the guide table (guide element deflection f=0.5 mm, static, end elements supported)

No Load Torques

Type	Spindle with Slide Bearing	Spindle with Ball Bearing
E 18	-	20 Ncm
E 30	45 Ncm	35 Ncm
E 40	65 Ncm	50 Ncm
E 50	120 Ncm	90 Ncm
E 60	-	110 Ncm
E 80	-	90 Ncm

Positioning Accuracy

Type of Drive	Positioning Accuracy	Self-Locking
ACME thread spindle	± 0.2 mm / 300 mm travel	Yes

Speed

Type	Pitch
E 18	2 mm
E-II 30	3 mm
E-II 40	4 mm
E-II 50	4 mm
E-II 60	5 mm
E-II 80	6 mm

$$\text{required spindle rpm}^* = \frac{\text{speed [m/mm]} \times 1000}{\text{pitch [mm]}}$$

*max. spindle rpm with slide bearing 80 min⁻¹
 with ball bearing 250 min⁻¹

Tubular Linear Unit E

Right or Left Hand Thread

Function:

A rotating movement of the spindle is converted into a linear movement of the guide element.

For Guide Element selection see page

For Mounting Element selection see page

Standard length (righthand thread, 1 pin)
delivery in stock

E 30: 300/500/800/1000 mm

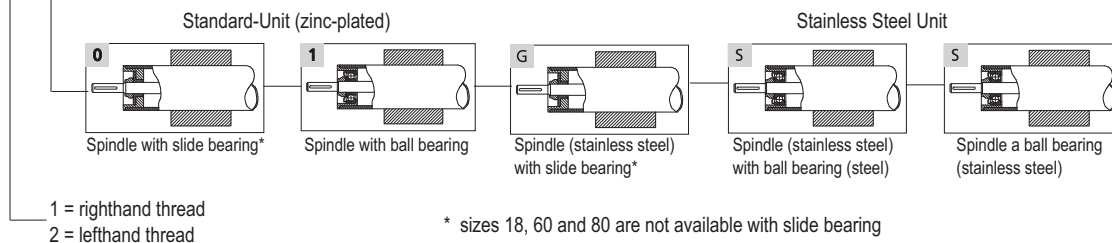
E 40: 300/500/800/1000 mm

E 60: 500/1000 with ball bearing



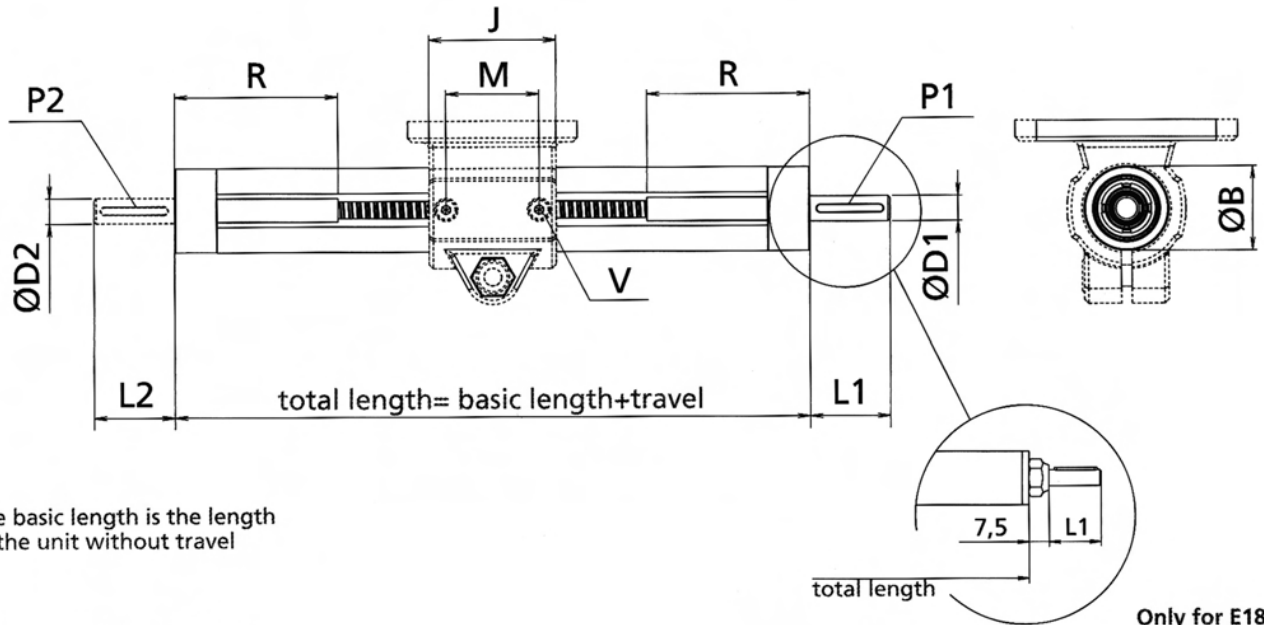
Guide elements as a option has to be ordered separately.

Code Number	Type	Spindle	Basic Length ¹⁾	B	D1	D2	J
Tubular Linear Unit E							
70_181_1	18	Tr 10x2	155	18	6	-	24
70_183_1	18	Tr 10x2	155	18	6	6	24
70_301_	30	Tr 14x3	200	30	8	-	38
70_303_	30	Tr 14x3	200	30	8	8	38
70_401_	40	Tr 20x4	209	40	12	-	55
70_403_	40	Tr 20x4	209	40	12	12	55
70_501_	50	Tr 20x4	235	50	12	-	63
70_503_	50	Tr 20x4	235	50	12	12	63
70_601_	60	Tr 25x5	280	60	14	-	78
70_603_	60	Tr 24x5	280	60	14	14	78
70_801_	80	Tr 32x6	320	80	20	-	120
70_803_	80	Tr 32x6	320	80	20	20	120



Sizes 30 - 60 also available in stainless steel¹⁾ (size 80 on request)

¹⁾tube and spindle in stainless steel, chrome plated slotted nut, red bronze bearing and leadnut



¹⁾ The basic length is the length of the unit without travel

²⁾ guide element not included

L1	L2	M	P1	P2	R ³⁾	V	max. travel	Weight [kg]	
								basic length ²⁾	per 100 mm travel
17	-	18	2x2x12	-	6	M3x5	890	0.225	0.097
17	17	18	2x2x12	2x2x12	6	M2x5	870	0.229	0.097
26	-	28	2x2x20	-	8	M4x8	1650	0.610	0.212
26	26	28	2x2x20	2x2x20	8	M4x8	1620	0.620	0.212
38	-	44	4x4x32	-	12	M6x10	2740	1.305	0.432
38	38	44	4x4x32	4x4x32	12	M6x10	2700	1.336	0.432
38	-	44	4x4x32	-	12	M6x10	2740	1.955	0.539
38	38	44	4x4x32	4x4x32	12	M6x10	2700	1.990	0.539
38	-	50	5x5x32	-	14	M8x12	2690	3.211	0.764
39	38	50	5x5x32	5x5x32	14	M8x12	2650	3.257	0.764
31.5	-	70	6x6x22	-	20	M8x25	2600	10.00	1.940
31.5	31.5	70	6x6x22	6x6x22	20	M8x35	2565	10.10	1.940

Order example:

E-II 40, righthand thread, spindle with ball bearing, 2 drive pins, travel 500 mm

code n° + length (basic length + travel)

781 403 1 0709

781 403 1 0709



³⁾ modification for smaller length

Type	Total Length	R
E 18	< 300 mm	25
E 30	< 500 mm	40
E 50	< 500 mm	65
E 60	< 500 mm	80

Tubular Linear Unit E

Right and Left Hand Thread

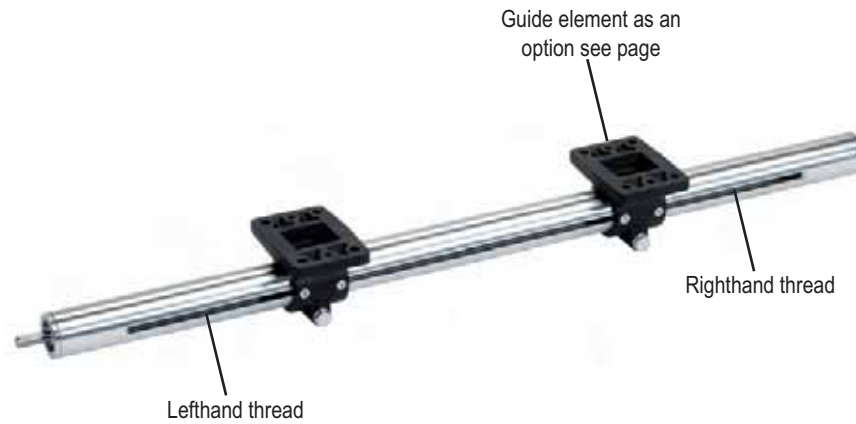
Function:

A rotating movement of the two spindles are converted into a linear movement of the guide element.

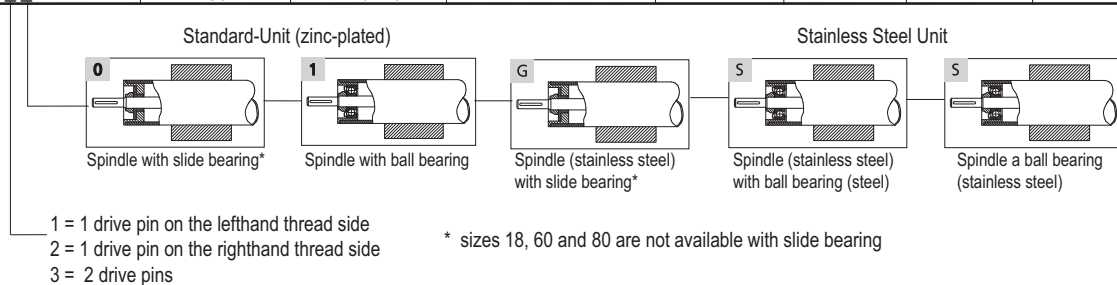
Note: when ordering please indicate the total travel

For Guide Element selection see page

For Mounting Element selection see page

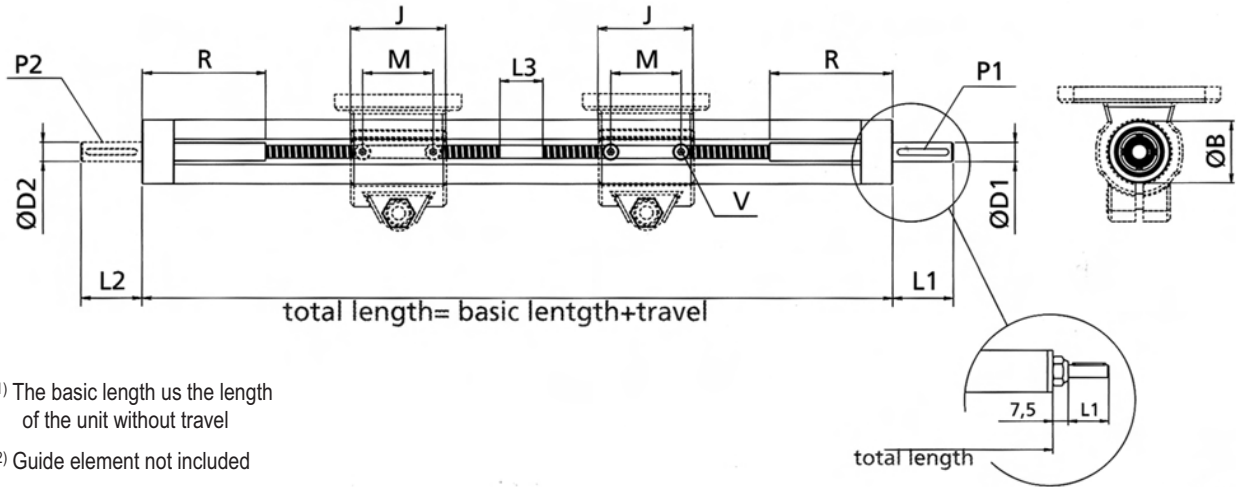


Code Number	Type	Spindle	Basic Length ¹⁾	B	D1	D2	J
Tubular Linear Unit E							
7 03 18 _ 1	18	Tr 10x2	195	18	6	6	24
7 03 30 _ _	30	Tr 14x3	265	30	8	8	38
7 83 40 _ _	40	Tr 20x4	269	40	12	12	55
7 03 50 _ _	50	Tr 20x4	325	50	12	12	63
7 03 60 _ _	60	Tr 24x5	385	60	14	14	78
7 03 80 _ _	80	Tr 32x6	420	80	20	20	120



Sizes 30 - 60 also available in stainless steel¹⁾ (size 80 on request)

¹⁾tube and spindle in stainless steel, chrome plated slotted nut, red bronze bearing and leadnut



- 1) The basic length is the length of the unit without travel
- 2) Guide element not included
- 2) Ex 1000mm total length

Only for E18

L1	L2	L3	M	P1	P2	R ⁴⁾	V	max. travel total	Weight [kg]	
									basic length ²⁾ per 100 mm travel	
17	17	37	18	2x2x12	2x2x12	55	M3x5	280	0.330	0.097
26	26	29	28	2x2x20	2x2x20	80	M4x8	1170	0.595	0.205
38	38	25	44	4x4x32	4x4x32	77	M6x10	2560	1.742	0.432
38	38	29	44	4x4x32	4x4x32	85	M6x10	2560	4.156	0.640
38	38	29	50	5x5x32	5x5x32	100	M8x12	2460	7.390	0.950
31.5	31.5	50	70	6x6x22	6x6x22	100	M8x35	2500	13.290	1.940

Order example:

E 50, right and left hand thread, spindle with ball bearing, 1 drive pin on the righthand thread side, travel 650 mm
code n° + length (basic length + travel)

703 502 1 0975

703 502 1 0975

⁴⁾ modification for smaller length

Type	Total Length	R
E 18	< 300 mm	25
E 30	< 500 mm	40
E 50	< 500 mm	65
E 60	< 500 mm	80

Tubular Linear Unit E

Split Spindle

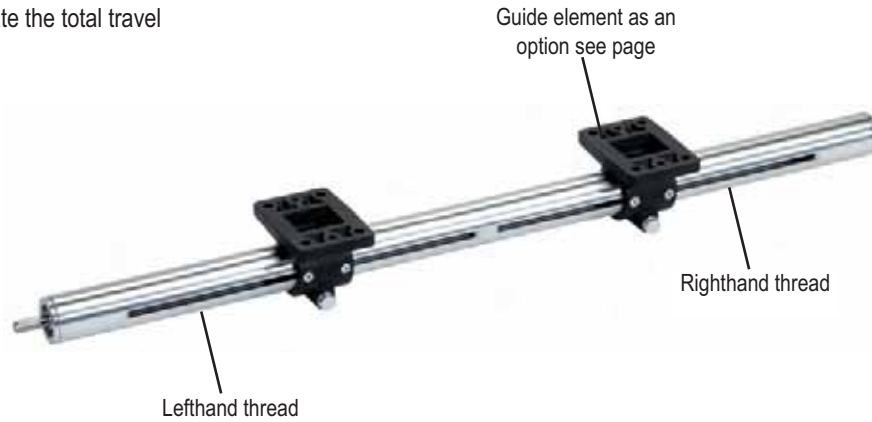
Function:

A rotating movement of the two spindles are converted into a linear movement of the 2 guide elements.

Note: when ordering please indicate the total travel

For Guide Element selection see page

For Mounting Element selection see page



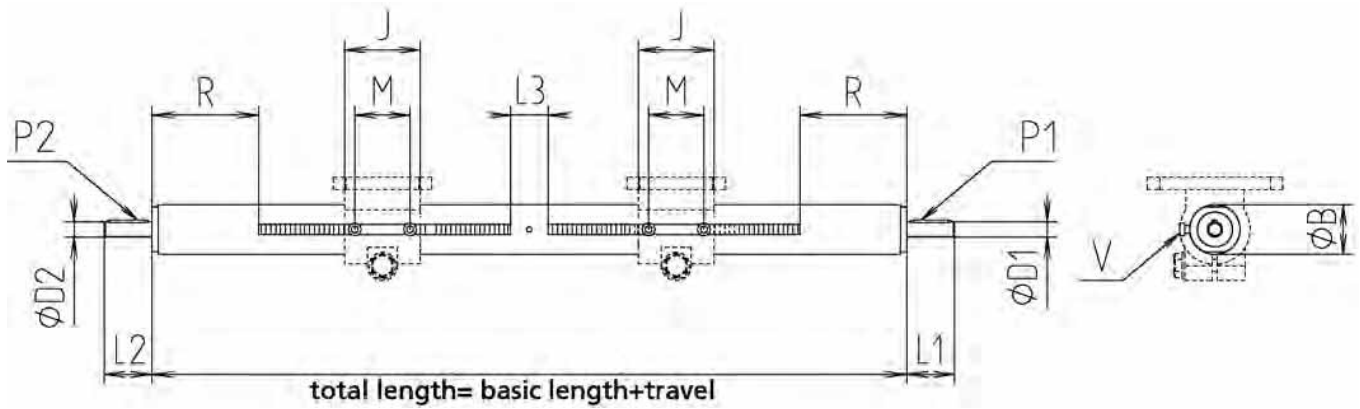
Code Number	Type	Spindle	Basic Length*	B	D1	D2	J
Tubular Linear Unit E							
7 04 303 1	18	Tr 10x2	195	18	6	6	24
7 04 403 1	30	Tr 14x3	265	30	8	8	38
7 83 40 __	40	Tr 20x4	269	40	12	12	55
7 03 50 __	50	Tr 20x4	325	50	12	12	63
7 03 60 __	60	Tr 24x5	385	60	14	14	78
7 03 80 __	80	Tr 32x6	420	80	20	20	120

1 = 1 drive pin on the lefthand thread side
 2 = 1 drive pin on the righthand thread side
 3 = 2 drive pins

* sizes 18, 60 and 80 are not available with slide bearing

Sizes 30 - 60 also available in stainless steel¹⁾ (size 80 on request)

¹⁾tube and spindle in stainless steel, chrome plated slotted nut, red bronze bearing and leadnut



- 1) The basic length us the length of the unit without travel
- 2) Guide element not included
- 2) Ex 1000mm total length

L1	L2	L3	M	P1	P2	R ⁴⁾	V	max. travel total	Weight [kg]	
									basic length ²⁾ per 100 mm travel	
17	17	37	18	2x2x12	2x2x12	55	M3x5	280	0.330	0.097
26	26	29	28	2x2x20	2x2x20	80	M4x8	1170	0.595	0.205
38	38	25	44	4x4x32	4x4x32	77	M6x10	2560	1.742	0.432
38	38	29	44	4x4x32	4x4x32	85	M6x10	2560	4.156	0.640
38	38	29	50	5x5x32	5x5x32	100	M8x12	2460	7.390	0.950
31.5	31.5	50	70	6x6x22	6x6x22	100	M8x35	2500	13.290	1.940

Order example:

E 50, right and left hand thread, spindle with ball bearing, 1 drive pin on the righthand thread side, travel 650 mm
code n° + length (basic length + travel)

703 502 1 0975

703 502 1 0975

⁴⁾ modification for smaller length

Type	Total Length	R
E 18	< 300 mm	25
E 30	< 500 mm	40
E 50	< 500 mm	65
E 60	< 500 mm	80

Credit Application

30 day credit limit requested \$ _____

Company Name _____		Phone _____	
Street Address _____	City _____	State _____	Zip _____
Fax Number _____	Are you incorporated? _____		
Where _____	When _____		
Tax Exemption Number: _____		Please provide Tax Exemption Certificate with Application	

PRINCIPAL OFFICERS

Name _____	Title _____
Name _____	Title _____

BANK REFERENCES

Bank Name _____	Account No. _____	Phone _____
Bank Name _____	Account No. _____	Phone _____
Bank Name _____	Account No. _____	Phone _____

SUPPLIER REFERENCES

Name _____	Phone _____	Fax _____
Address _____	City _____	State _____ Zip _____
Name _____	Phone _____	Fax _____
Address _____	City _____	State _____ Zip _____
Name _____	Phone _____	Fax _____
Address _____	City _____	State _____ Zip _____

TERMS AND APPLICATION FOR CREDIT: We hereby agree that RK Rose+Krieger terms are Net 30 days from the date of invoice, with interest charge at 1 1/2 percent per month on all accounts past due.

Signature*:

 Authorized By _____ Title _____ Date _____

DO NOT WRITE BELOW THIS LINE

* It is understood that by signing the RK Rose+Krieger Credit Application you, the customer, agree to RK Rose+Krieger's Net 30 credit terms, including a 1 1/2% late finance charge per month for any overdue balance. By signing this document, you also agree to give RK Rose+Krieger permission to investigate your credit worthiness through trade references and credit bureau research.



RK ROSE+KRIEGER

A Phoenix Mecano Company

Who Is Phoenix Mecano?



Phoenix Mecano is dedicated to achieving customer satisfaction through continuous improvement.

Using best business practice, lean manufacturing, and sustained supply chain operations Phoenix Mecano Inc. markets its products and services through three product divisions in Maryland. The Frederick, Maryland facility serves as headquarters for North American operations. PMI is part of Phoenix Mecano AG, an international corporation based in Switzerland comprised of independent manufacturing plants worldwide.

This product overview gives you an overall idea about RK Rose+Krieger's general product range, thus helping you to choose the right product for you application. You will find further technical data in our more detailed product catalog or in the CD ROM containing our general product program. The whole documentation is available in PDF format and can be downloaded from our sister companies website www.rk-online.de. Here you will also find CAD data for our products in more than 60 different exchange formats.

If you have any questions regarding RK Rose+Krieger products please call our representatives at 301-696-9400. We will be glad to advise you of the fastest, strongest, and most economical options for construction.



A Phoenix Mecano Company

Rose+Krieger sales representatives are available to assist you in choosing the right products for your application. Orders and inquiries are processed during normal business hours, 8:30 am to 5:00 pm ET, Monday through Friday. Feel free to contact us at 301-696-9400, or learn more online at www.Rose-Krieger.com.

7330 Executive Way
Frederick, Maryland 21704
301-696-9400, Phone
301-228-3349, Fax
RKinfo@pm-usa.com
www.Rose-Krieger.com

ISO 9001:2000 Certified



A Phoenix Mecano Company
7330 Executive Way
Frederick, MD 21704
USA
Phone: 301-696-9400
Fax: 301-228-3349
E-Mail: RKinfo@pm-usa.com
Web: www.Rose-Krieger.com

