

ITAS - Internal Tension System

No drilling
No welding
No miter cutting
...Just assembly

The ITAS-system is suitable for many outdoor and indoor applications, from the simplest railings to complicated stairs and working platforms.

The easy "socket connection principal" of the internal tension system reduces construction and assembly work to a minimum. Without any machine work, connections are effortless by simple tightening clamping screws.

The new quick change system contained in the RK Stairworks program, also increase flexibility and compliment the RK Frameworks program. The profile assembly system can be used for the substructure of stairs and platforms.

Once again RK Rose+Krieger has concentrated its efforts on making different product ranges compatible and able to be combined with each other.

Internal Tension System



Quick Change System



Please see our website for complete listing of our Quick Change System.

www.rose-krieger.com



Internal Tension System

MI 40



IHR.4104

KI 40



IHR.4100

KI 40H-45°



IHR.5211

WIY 40-45°



IHR.4530

WI 40



IHR.4210

WI 40-45°, 30°, 38°, 52°, 60°



IHR.5210, IHR.0030
IHR.0038, IHR.0052
IHR.0060

WIT 40H-45°R



IHR.4529

FIW 40



IHR.3420

WIT 40



IHR.4230

WIT 40H-45°



IHR.5230

WIT 40H-45°L



IHR.4529

FI 40



IHR.4270

WIE 40



IHR.4220

WIT 40-45°



IHR.4250

WIV 40H-45°



IHR.4527

TSI 40



IHR.3426, IHR.3427

WITE 40



IHR.4240

KI 40-45°



IHR.5100

WIV 40-45°



IHR.4526

TSI 40 WI



IHR.3428, IHR.3429

Accessories

Aluminum Tube Ø40x3



Angular Stair Joint



Surface Support



Tread Support Profile



Step Profile



Stair Railing Support



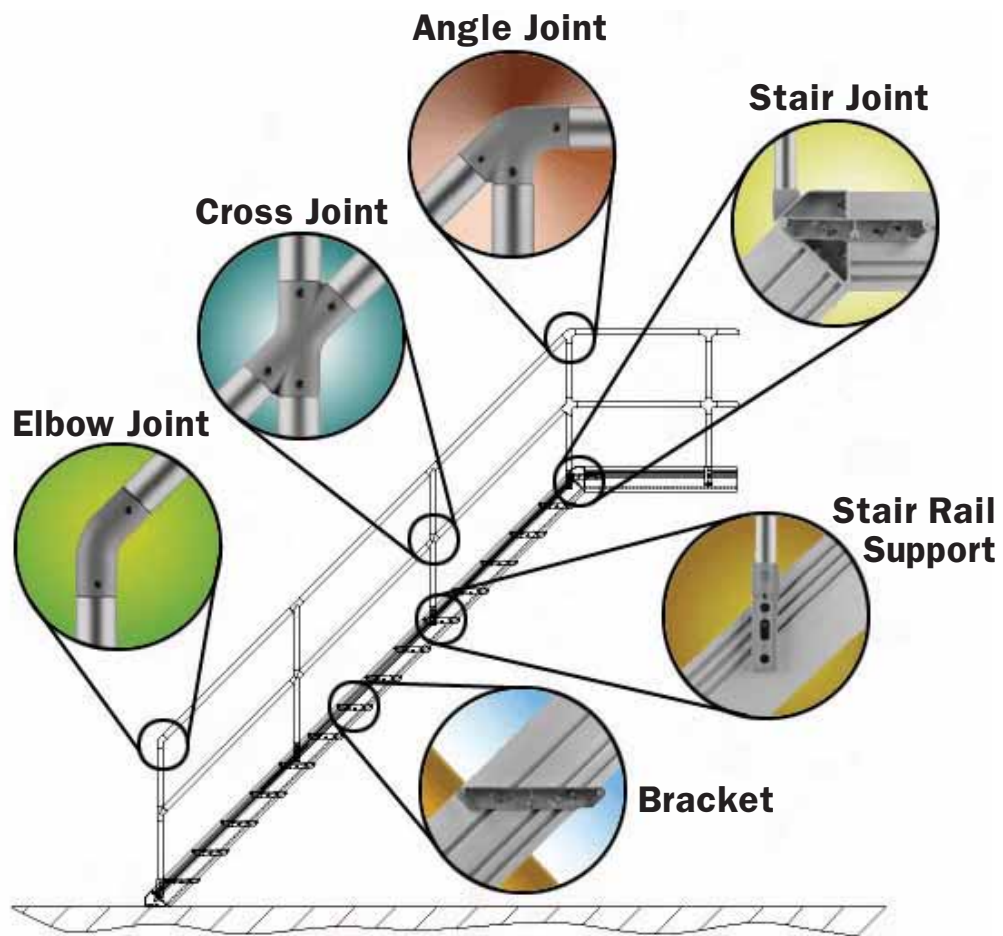
Corner Joint



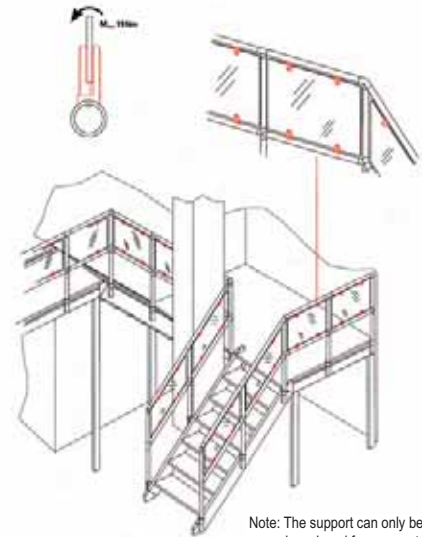
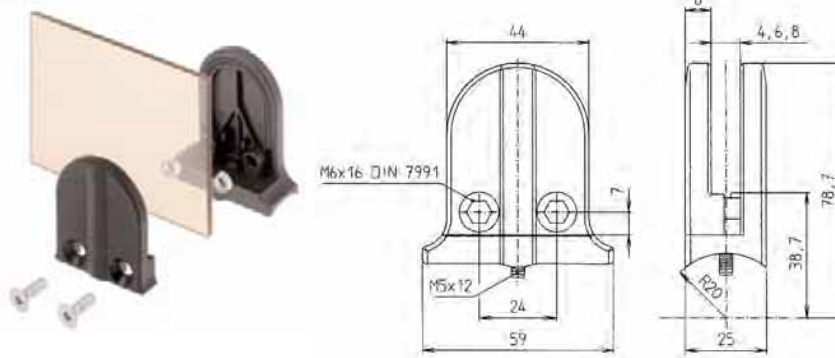
Side Plate



Angle Plate for TGHF



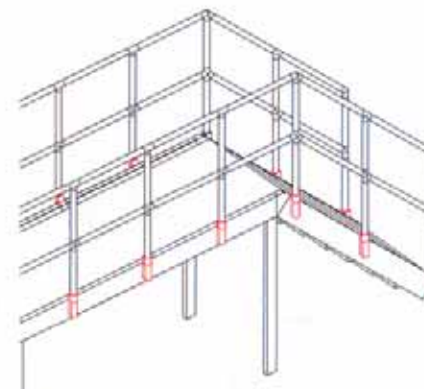
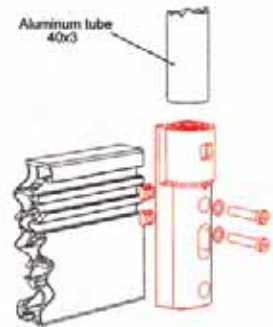
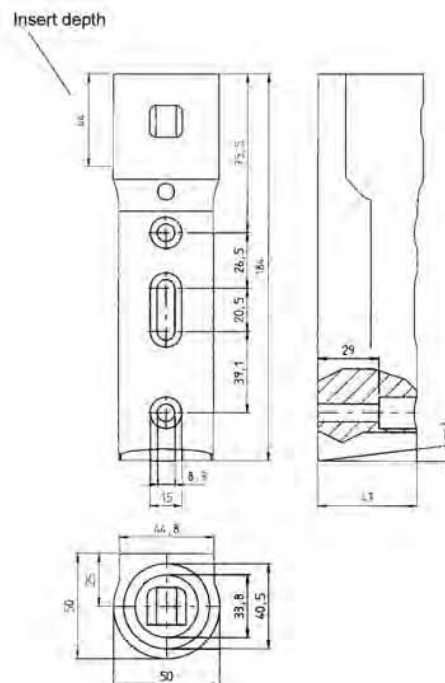
Surface Support



Note: The support can only be used in a closed frame construction.

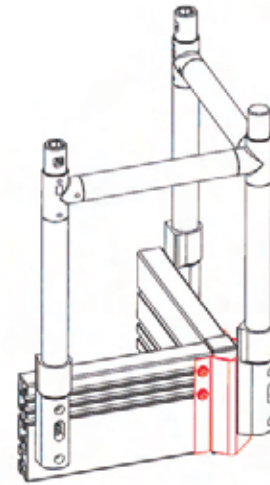
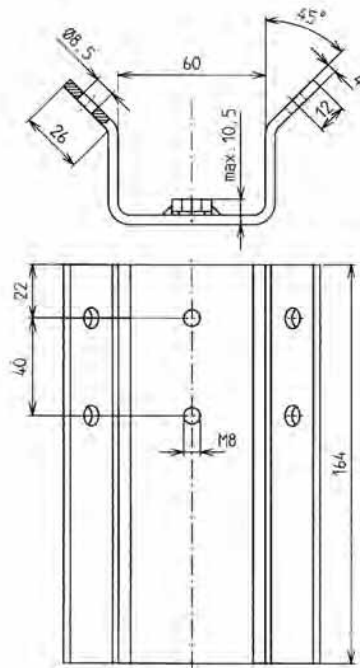
Code Number	Type
91803	FEH-I 40

Stair Railing Support TGHF



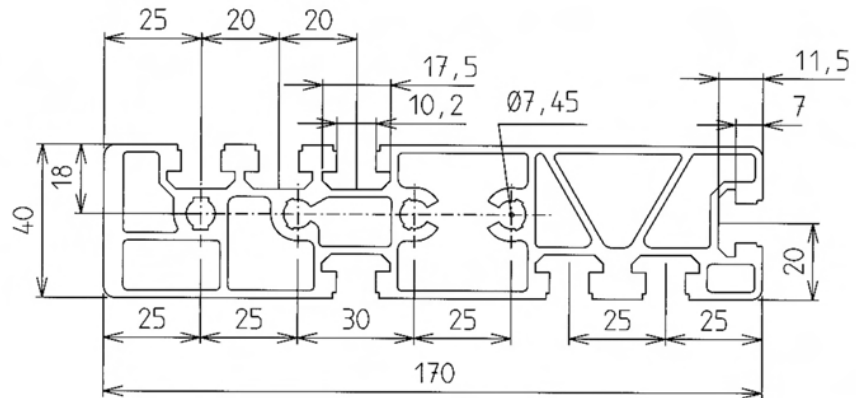
Code Number	Type
1.34034280_	TGHF 40

Angle Plate for TGHF



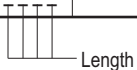
Code Number	Type
96701	Angle Plate

Stair Cross Beam Profile

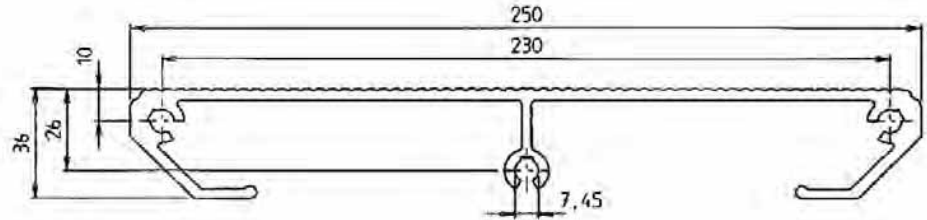


$I_x = 37 \text{ cm}^4$
 $I_y = 606 \text{ cm}^4$
 $W_x = 18 \text{ cm}^3$
 $W_y = 69 \text{ cm}^3$

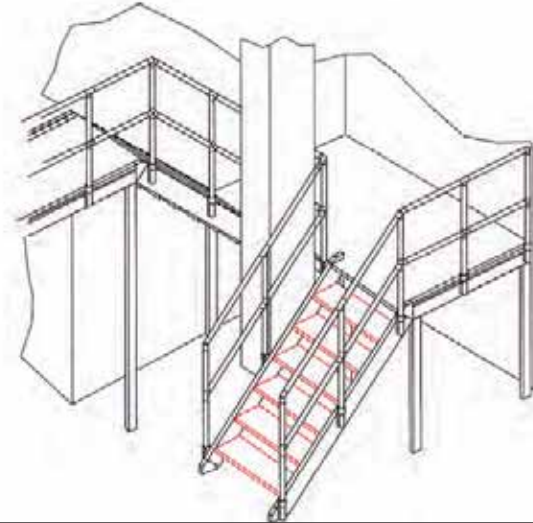
Code Number	Type	Version	m [g]
4.505 000	Stair cross beam profile	Cut max. 6000 mm	5957 / m
4.505 001	Stair cross beam profile	Bar à 6000 mm	5957 / m



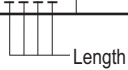
Step Profile



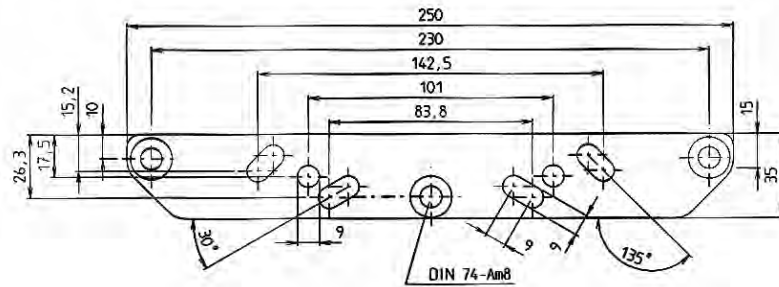
$I_x = 16 \text{ cm}^4$
 $I_y = 1003 \text{ cm}^4$
 $W_x = 7 \text{ cm}^4$
 $W_y = 80 \text{ cm}^3$



Code Number	Type	Version	m [g]
4.525 000	Step profile	Cut max. 6000 mm	3621 / m
4.525 001	Step profile	Bar à 6000 mm	3621 / m



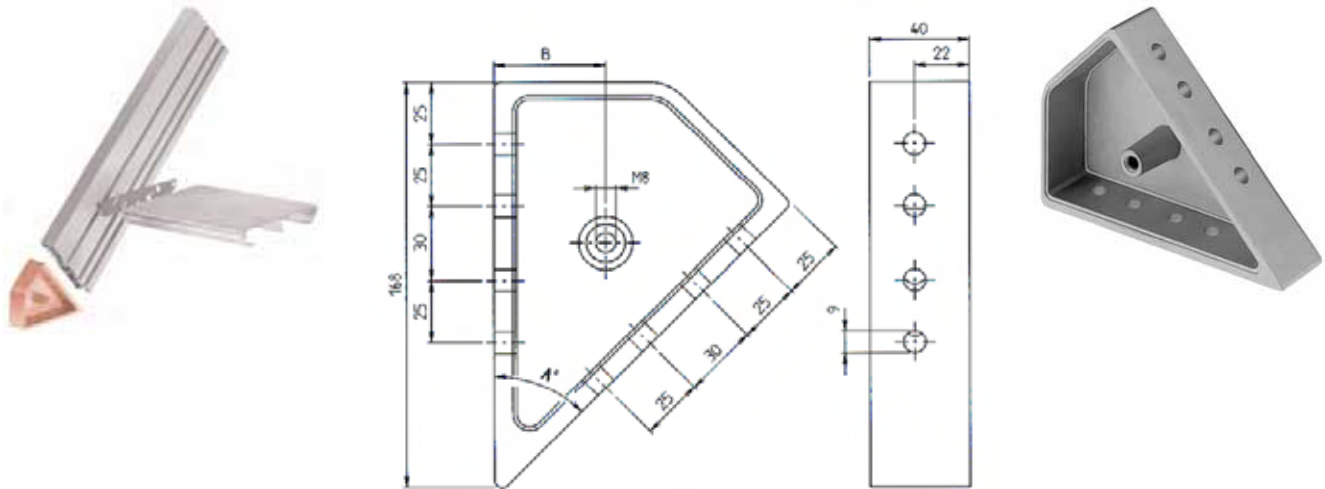
Side Plate



Code Number	Type	m [g]
9.3700	Side plate	3621 / m

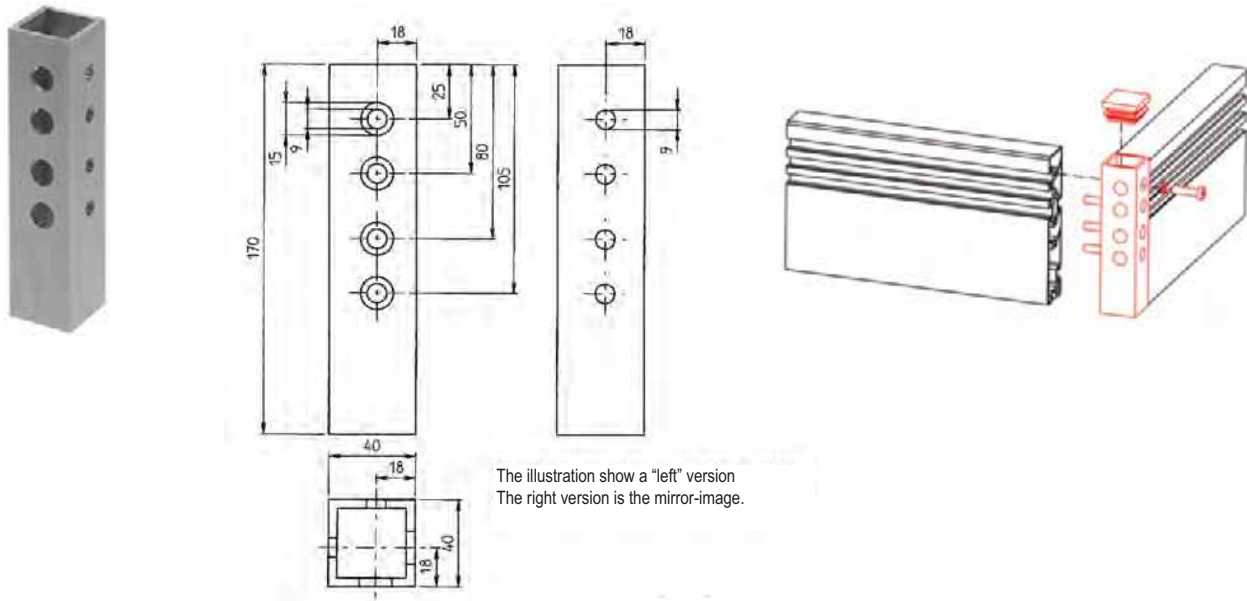


Stair Joint



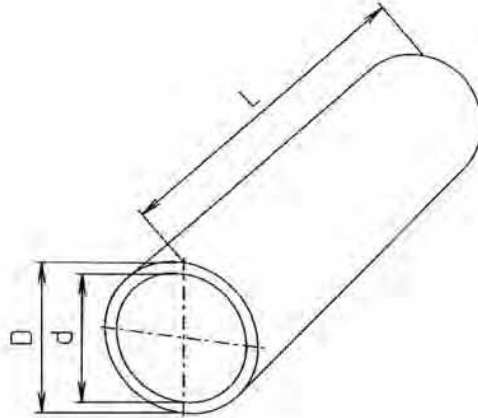
Code Number	Type	A	B	Material	m [g]
9.3807	38° stair joint fixing step platform	38°	36.15	Gk AISi 12	430
9.3810	45° stair joint fixing step-platform	45°	44.5	Gk AISi 12	621
9.3811	45° stair joint fixing floor step	45°	44.5	Gk AISi 12	621
9.3820	60° stair joint fixing step-platform	60°	60.5	St 37-2	1500

Stair Corner Joint



Code Number	Type	m [g]
9.3821	Stair corner joint righthand	242
9.3822	Stair corner joint lefthand	242

Aluminum Tube



Material: AlMgSi 0.5 F22EQ
 Resistance moment = 3 cm^3
 Moment of inertia = 3 cm^3

Code Number	Part Number	Type	OD in mm (D)	ID in mm (d)	Version	Length
8.2302013000	TAR.0030	30x2	30±0.10	26	Natural	3 meters
8.2302023000	TAR.2030	30x2	30±0.10	26	Clear Anodized	3 meters
8.2403023000	TAR.2040	40x3	40±0.15	34	Clear Anodized	3 meters
8.2403021219	TAR.2044	40x3	40±0.15	34	Clear Anodized	4 feet
8.2403022438	TAR.2048	40x3	40±0.15	34	Clear Anodized	8 feet
8.2503013000	TAR.0050	50x3	50±0.20	44	Natural	3 meters
8.2503023000	TAR.2050	50x3	50±0.20	44	Clear Anodized	3 meters
8.2603013000	TAR.0060	60x3	60	54	Natural	3 meters
8.2603023000	TAR.2060	60x3	60	54	Clear Anodized	3 meters

