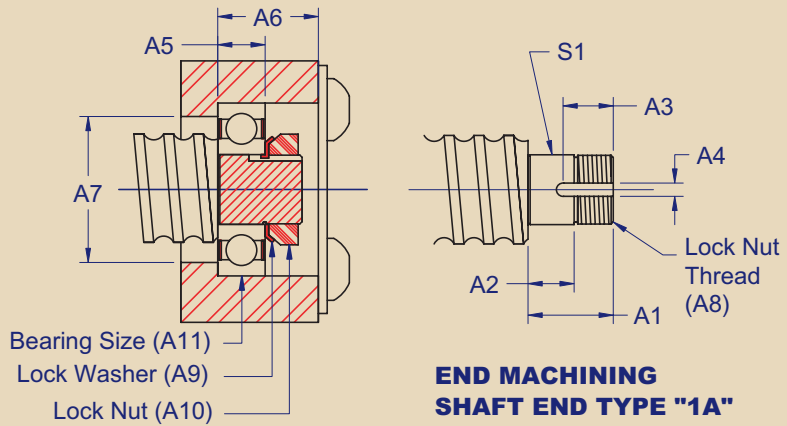


# BMR BEARING MOUNTS

The BMR series bearing mounts are SIMPLE RADIAL supports utilizing shielded Radial ball bearings for supporting radial load components. These bearing mounts are NOT intended to support axial load components of force. Consult engineering for application assistance if required.

NOTE: Dimensions shown for screws without corresponding bearing mounts are for reference only.

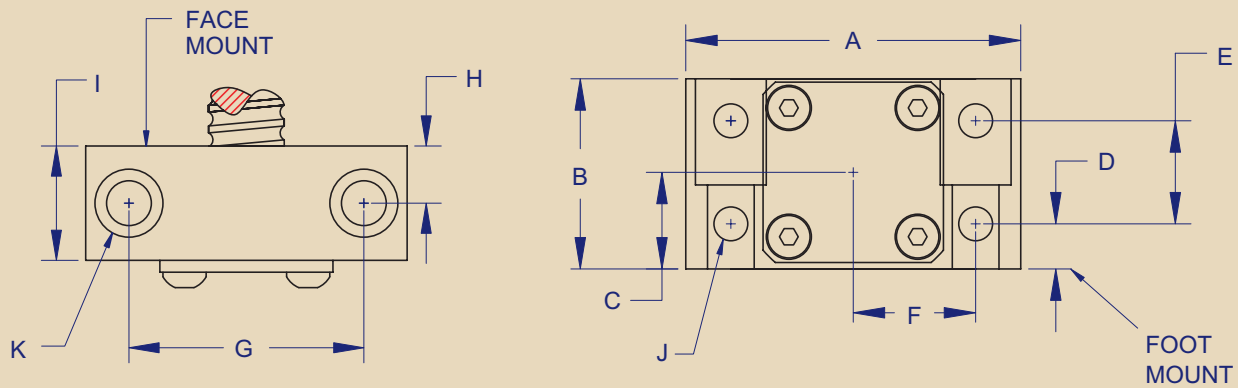


- ▶ BALL SCREWS
- ▶ ACME SCREWS

SCREW NUMBER	Part Number	S1	A1	A2	A3	A4	A5	A6	A7	A8	A9	A10	A11
▶ R-10, 11, 15, 16		.2757 .2754	.670	.250	N/A	N/A	.276	.800	.750	1/4-28	N/A	N/A	627
▶ 1/2-10		.3544 .3541	.750	.290	N/A	N/A	.315	.875	.875	5/16-24	N/A	N/A	629
▶ R-2, 20, 21, 22, 23	BMR-10	.3940 .3936	.650	.330	.45	1/8	.354	.800	1.00	.391-32	W-00	N-00	6200
▶ R-1, 30, 31, 32, 30A	BMR-12	.4726 .4723	.890	.450	.56	1/8	.472	1.029	1.25	.469-32	W-01	N-01	6301
▶ R-4, 34, 35, 36, 37, 38	BMR-15	.5908 .5905	.930	.490	.56	1/8	.512	1.094	1.38	.586-32	W-02	N-02	6302
▶ R-6, 40, 40A, 40B, 40RF	BMR-20	.7877 .7873	1.070	.570	.63	3/16	.590	1.305	1.75	.781-32	W-04	N-04	6304
▶ R-41, 41LF, 42, 43, 44, 48													
▶ R-45, 46, 47, R-55, 56, 57, 58	BMR-25	.9846 .9842	1.190	.650	.70	3/16	.669	1.420	2.06	.969-32	W-05	N-05	6305
▶ R-50, 50A, 51A, R-53, 54, 54A	BMR-30	1.1814 1.1810	1.275	.720	.70	1/4	.748	1.587	2.43	1.173-18	W-06	N-06	6306
▶ R-61, 62		1.5752 1.5747	1.470	.880	.75	5/16	.906	1.875	3.10	1.563-18	W-08	N-08	6308
▶ R-60, 60A, 63		1.7721 1.7716	1.550	.960	.80	5/16	.984	2.000	3.50	1.767-18	W-09	N-09	6309
▶ R-75		1.9689 1.9684	1.690	1.040	.85	5/16	1.063	2.125	3.88	1.967-18	W-10	N-10	6310
▶ R-70, 71, 74		2.1659 2.1653	1.770	1.120	.85	5/16	1.142	2.250	4.13	2.157-18	W-11	N-11	6311
▶ R-80		2.3627 2.3622	1.880	1.195	.90	5/16	1.220	2.375	4.50	2.360-18	W-12	N-12	6312
▶ R-90, 91		3.1501 3.1495	2.270	1.510	1.05	3/8	1.535	2.750	6.00	3.137-12	W-16	N-16	6316

Note: Bearing mounts are supplied factory lubricated

- 1.) The BMR series bearing mounts are universally precision machined to allow either foot or face mounting.
- 2.) The BMR series bearing mounts are to be considered as "SIMPLE" support for column loading and critical speed calculations.



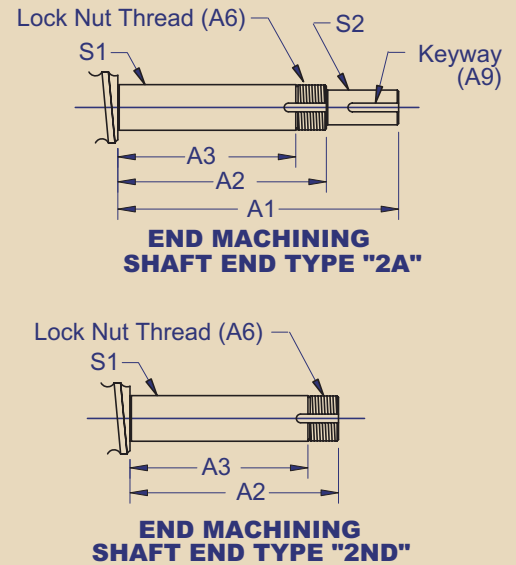
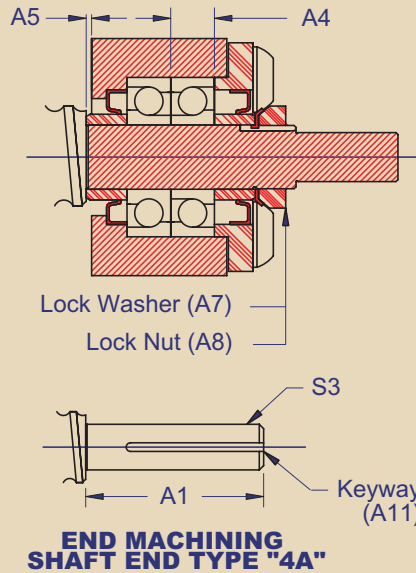
- ▶ **BALL SCREWS**
- ▶ **ACME SCREWS**

SCREW NUMBER	Part Number	A	B	C	D	E	F	G	H	I	J	K
▶ R-10, 11, 15, 16												
▶ 1/2-10												
▶ R-2, 20, 21, 22, 23 ▶ 5/8-8	BMR-10	3.000	1.875	1.000	.375	1.125	1.125	2.250	.672	1.344	.281 (4x)	.406 Thru .625 C'Bore .875 Deep
▶ R-1, 30, 31, 32, 30A ▶ 5/8-10, 3/4-5, 3/4-6	BMR-12	3.000	1.875	1.000	.375	1.125	1.125	2.250	.672	1.344	.281 (4x)	.406 Thru .625 C'Bore .875 Deep
▶ R-4, 34, 35, 36, 37, 38 ▶ 3/4-10, 7/8-5, 7/8-6, 1-4, 1-5	BMR-15	3.500	2.125	1.125	.375	1.375	1.250	2.500	.813	1.625	.281 (4x)	.406 Thru .625 C'Bore 1.000 Deep
▶ R-6, 40, 40A, 40B, 40RF ▶ R-41, 41LF, 42, 43, 44, 48 ▶ 1-10, 1 1/8-5, 1 1/4-4	BMR-20	4.500	2.750	1.438	.500	1.750	1.625	3.250	.938	1.875	.500 (4x)	.656 Thru 1.000 C'Bore 1.312 Deep
▶ R-45, 46, 47, ▶ R-55, 56, 57, 58 ▶ 1 1/2-4	BMR-25	6.500	3.690	1.875	.875	2.000	2.375	4.750	.970	1.940	.688 (4x)	.906 Thru 1.375 C'Bore 1.750 Deep
▶ R-50, 50A, 51A, ▶ R-53, 54, 54A ▶ 1 3/4-4	BMR-30	6.500	3.690	1.875	.875	2.000	2.375	4.750	1.156	2.312	.688 (4x)	.906 Thru 1.375 C'Bore 2.060 Deep
▶ R-61, 62												
▶ R-60, 60A, 63												
▶ R-75												
▶ R-70, 71, 74												
▶ R-80												
▶ R-90, 91												

# BM BEARING MOUNTS

The BM series bearing mounts are SIMPLE supports that utilize a set of Angular Contact ball bearings mounted back to back. These bearing mounts are designed to support radial and axial load components of force. Consult engineering for application assistance if required.

NOTE: Dimensions shown for screws without corresponding bearing mounts are for reference only.

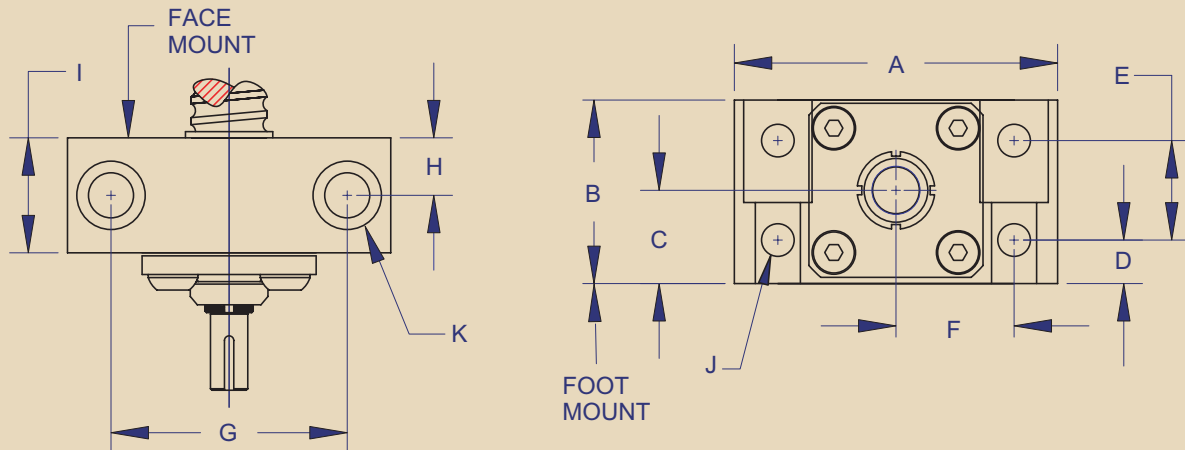


- ▶ **BALL SCREWS**
- ▶ **ACME SCREWS**

SCREW NUMBER	Part Number	S1	S2	S3	A1	A2	A3	A4	A5	A6	A7	A8	A9	A10	A11
▶ R-10, 11, 15, 16		.2757 .2754	.187 .186	.2500 .2495	2.15	1.70	1.240	.276	.035	1/4-28	N/A	N/A	1/16x3/8	1.38	1/16 x 3/4
▶ 1/2-10		.3544 .3541	.250 .249	.2500 .2495	2.45	1.82	1.320	.315	.035	5/16-24	N/A	N/A	3/32x1/2	1.38	1/16 x 3/4
▶ R-2, 20, 21, 22, 23 5/8-8	BM-10	.3940 .3936	.312 .311	.3750 .3745	2.84	2.09	1.700	.354	.000	.391-32	W-00	N-00	1/8x1/2	1.75	1/8x7/8
▶ R-1, 30, 31, 32, 30A 5/8-10, 3/4-5, 3/4-6	BM-12	.4726 .4723	.406 .405	.5000 .4995	3.29	2.00	1.566	.472	.025	.469-32	W-01	N-01	1/8x5/8	2.25	1/8x1 5/8
▶ R-4, 34, 35, 36, 37, 38 3/4-10, 7/8-5, 7/8-6, 1-4, 1-5	BM-15	.5908 .5905	.500 .499	.5000 .4995	3.59	2.59	2.145	.512	.040	.586-32	W-02	N-02	1/8x5/8	2.25	1/8x1 5/8
▶ R-6, 40, 40A, 40B, 40RF R-41, 41LF, 42, 43, 44, 48 1-10, 1 1/8-5, 1 1/4-4	BM-20	.7877 .7873	.625 .624	.7500 .7495	4.00	2.88	2.378	.590	.040	.781-32	W-04	N-04	3/16x5/8	2.87	3/16x1 1/2
▶ R-45, 46, 47, 55, 56, 57, 58 1 1/2-4	BM-25	.9846 .9842	.750 .749	1.0000 .9995	4.45	2.89	2.328	.669	.000	.969-32	W-05	N-05	3/16x1	2.87	1/4x1 3/4
▶ R-50, 50A, 51A, 53, 54, 54A 1 3/4-4	BM-30	1.1814 1.1810	1.000 .999	1.1875 1.1870	5.33	3.60	3.047	.748	.063	1.173-18	W-06	N-06	1/4x1	4.12	1/4x2
▶ R-61, 62		1.5752 1.5747	1.375 1.374	1.5000 1.4995	6.93	4.43	3.800	.906	.063	1.563-18	W-08	N-08	5/16x1 1/2	4.94	3/8x3
▶ R-60, 60A, 63		1.7721 1.7716	1.375 1.374	1.7500 1.7495	6.68	4.49	3.875	.984	.063	1.767-18	W-09	N-09	5/16x1 1/2	4.94	3/8x3
▶ R-75		1.9689 1.9684	1.750 1.749	2.0000 1.9995	7.75	4.87	4.200	1.063	.063	1.967-18	W-10	N-10	3/8x1 1/2	5.19	1/2x3 1/4
▶ R-70, 71, 74		2.1659 2.1653	1.875 1.874	2.0000 1.9995	8.40	5.40	4.700	1.142	.063	2.157-18	W-11	N-11	1/2x1 1/2	6.37	1/2x3 1/4
▶ R-80		2.3627 2.3622	2.250 2.249	2.4375 2.4365	9.22	5.54	4.832	1.220	.063	2.360-18	W-12	N-12	1/2x2	7.25	5/8x 4 7/8
▶ R-90, 91		3.1501 3.1495	3.000 2.998	3.0000 2.9990	11.55	6.87	6.070	1.535	.063	3.137-12	W-16	N-16	3/4x3	7.56	3/4x5

Note: Bearing mounts are supplied factory lubricated

- 1.) The BM series bearing mounts are universally precision machined to allow either foot or face mounting.
- 2.) The BM series bearing mounts are to be considered as "SIMPLE" support for column loading and critical speed calculations.



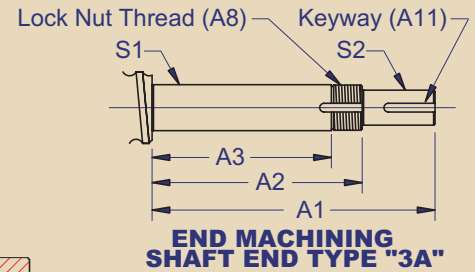
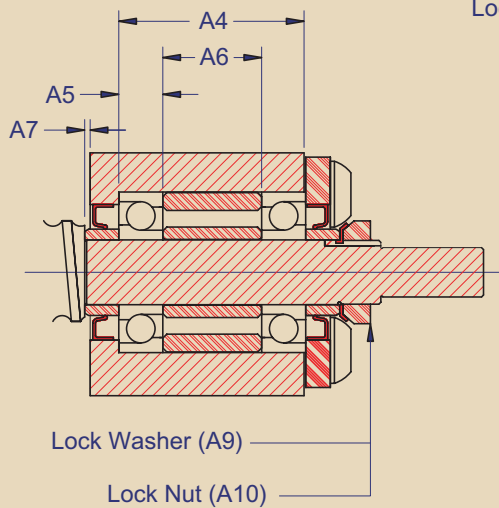
- ▶ **BALL SCREWS**
- ▶ **ACME SCREWS**

SCREW NUMBER	Part Number	A	B	C	D	E	F	G	H	I	J	K
▶ R-10, 11, 15, 16												
▶ 1/2-10												
▶ R-2, 20, 21, 22, 23 ▶ 5/8-8	BM-10	3.000	1.875	1.000	.375	1.125	1.125	2.250	.672	1.344	.281 (4x)	.406 Thru .625 C'Bore .875 Deep
▶ R-1, 30, 31, 32, 30A ▶ 5/8-10, 3/4-5, 3/4-6	BM-12	3.000	1.875	1.000	.375	1.125	1.125	2.250	.672	1.344	.281 (4x)	.406 Thru .625 C'Bore .875 Deep
▶ R-4, 34, 35, 36, 37, 38 ▶ 3/4-10, 7/8-5, 7/8-6, 1-4, 1-5	BM-15	3.500	2.125	1.125	.375	1.375	1.250	2.500	.813	1.625	.281 (4x)	.406 Thru .625 C'Bore 1.000 Deep
▶ R-6, 40, 40A, 40B, 40RF R-41, 41LF, 42, 43, 44, 48 ▶ 1-10, 1 1/8-5, 1 1/4-4	BM-20	4.500	2.750	1.438	.500	1.750	1.625	3.250	.938	1.875	.469 (4x)	.656 Thru 1.000 C'Bore 1.312 Deep
▶ R-45, 46, 47, R-55, 56, 57, 58 ▶ 1 1/2-4	BM-25	6.500	3.690	1.875	.875	2.000	2.375	4.750	.970	1.940	.656 (4x)	.906 Thru 1.375 C'Bore 1.750 Deep
▶ R-50, 50A, 51A, R-53, 54, 54A ▶ 1 3/4-4	BM-30	6.500	3.690	1.875	.875	2.000	2.375	4.750	1.156	2.312	.656 (4x)	.906 Thru 1.375 C'Bore 2.060 Deep
▶ R-61, 62												
▶ R-60, 60A, 63												
▶ R-75												
▶ R-70, 71, 74												
▶ R-80												
▶ R-90, 91												

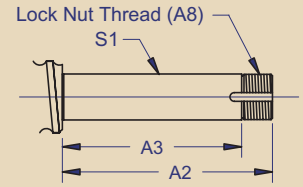
# BMF BEARING MOUNTS

The BMF series bearing mounts are **FIXED RIGID** supports that utilize a set of spaced Angular Contact ball bearings. These bearing mounts are designed to support both radial and axial load components of force. Consult engineering for application assistance if required.

NOTE: Dimensions shown for screws without corresponding bearing mounts are for reference only.



**END MACHINING  
SHAFT END TYPE "3A"**



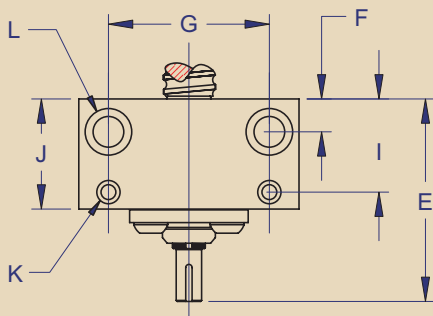
**END MACHINING  
SHAFT END TYPE "3ND"**

- ▶ **BALL SCREWS**
- ▶ **ACME SCREWS**

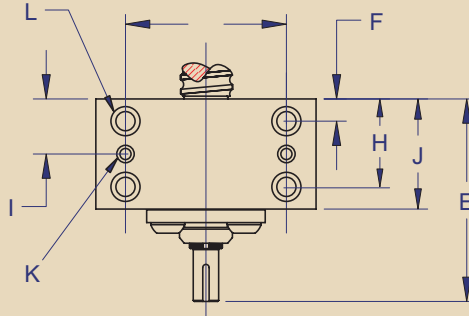
SCREW NUMBER	Part Number	S1	S2	A1	A2	A3	A4	A5	A6	A7	A8	A9	A10	A11
▶ R-10, 11, 15, 16		.2757 .2754	.187 .186	2.85	2.35	1.82	1.084	.276	.550	.035	1/4-28	N/A	N/A	1/16 x 3/8
▶ 1/2-10		.3544 .3541	.250 .249	3.23	2.60	1.98	1.240	.315	.630	.035	5/16-24	N/A	N/A	3/32 x 1/2
▶ R-2, 20, 21, 22, 23 5/8-8	BMF-10	.3940 .3936	.312 .311	3.50	2.75	2.25	1.515	.354	.825	.050	.391-32	W-00	N-00	1/8 x 1/2
▶ R-1, 30, 31, 32, 30A 5/8-10, 3/4-5, 3/4-6	BMF-12	.4726 .4723	.406 .405	4.30	3.00	2.35	1.850	.472	.923	.038	.469-32	W-01	N-01	1/8 x 5/8
▶ R-4, 34, 35, 36, 37, 38 3/4-10, 7/8-5, 7/8-6, 1-4, 1-5	BMF-15	.5908 .5905	.500 .499	4.62	3.31	2.73	2.000	.512	.995	.035	.586-32	W-02	N-02	1/8 x 5/8
▶ R-6, 40, 40A, 40B, 40RF R-41, 41LF, 42, 43, 44, 48 1-10, 1 1/8-5, 1 1/4-4	BMF-20	.7877 .7873	.625 .624	5.05	3.80	3.10	2.375	.590	1.217	.035	.781-32	W-04	N-04	3/16 x 5/8
▶ R-45, 46, 47, 55, 56, 57, 58 1 1/2-4	BMF-25	.9846 .9842	.750 .749	6.06	4.50	3.75	2.815	.669	1.500	.083	.969-32	W-05	N-05	3/16 x 1
▶ R-50, 50A, 51A, 53, 54, 54A 1 3/4-4	BMF-30	1.1814 1.1810	1.000 .999	6.67	4.92	4.20	3.300	.748	1.828	.075	1.173-18	W-06	N-06	1/4 x 1
▶ R-61, 62		1.5752 1.5747	1.375 1.374	8.15	5.90	5.13	4.236	.906	2.45	.035	1.563-18	W-08	N-08	5/16 x 1 1/2
▶ R-60, 60A, 63		1.7721 1.7716	1.375 1.374	8.62	6.37	5.60	4.694	.984	2.75	.035	1.767-18	W-09	N-09	5/16 x 1 1/2
▶ R-75		1.9689 1.9684	1.750 1.749	9.68	6.80	5.95	5.050	1.063	2.95	.035	1.967-18	W-10	N-10	3/8 x 1 1/2
▶ R-70, 71, 74		2.1659 2.1653	1.875 1.874	10.10	7.35	6.50	5.608	1.142	3.35	.035	2.157-18	W-11	N-11	1/2 x 1 1/2
▶ R-80		2.3627 2.3622	2.250 2.249	11.56	8.06	7.15	6.035	1.220	3.62	.062	2.360-18	W-12	N-12	1/2 x 2
▶ R-90, 91		3.1501 3.1495	3.000 2.998	14.50	9.95	8.95	7.845	1.535	4.80	.062	3.137-12	W-16	N-16	3/4 x 3

Note: Bearing mounts are supplied factory lubricated

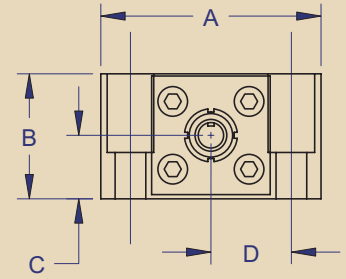
- 1.) The BMF series bearing mounts are precision machined for foot mounting and pre-drilled for taper pins
- 2.) The BMF series bearing mounts are to be considered as "FIXED" support for column loading and critical speed calculations.



PLAN VIEW FOR  
BMF-20, 25, & 30



PLAN VIEW FOR  
BMF-10, 12, & 15



▶ **BALL SCREWS**  
▶ **ACME SCREWS**

SCREW NUMBER	Part Number	A	B	C	D	E	F	G	H	I	J	K	L
▶ R-10, 11, 15, 16													
▶ 1/2-10													
▶ R-2, 20, 21, 22, 23 ▶ 5/8-8	BMF-10	3.000	1.875	1.000	1.125	3.450	.375	2.25	1.500	.938	1.875	.250 Thru .375 C'Bore #5 Taper Pin	.406 Thru .625 C'Bore 1.130 Deep
▶ R-1, 30, 31, 32, 30A ▶ 5/8-10, 3/4-5, 3/4-6	BMF-12	3.000	1.875	1.000	1.125	4.262	.438	2.25	1.688	1.063	2.125	.250 Thru .375 C'Bore #5 Taper Pin	.406 Thru .625 C'Bore 1.130 Deep
▶ R-4, 34, 35, 36, 37, 38 ▶ 3/4-10, 7/8-5, 7/8-6, 1-4, 1-5	BMF-15	3.500	2.125	1.125	1.250	4.585	.500	2.50	1.875	1.188	2.375	.250 Thru .375 C'Bore #5 Taper Pin	.406 Thru .625 C'Bore 1.310 Deep
▶ R-6, 40, 40A, 40B, 40RF ▶ R-41, 41LF, 42, 43, 44, 48 ▶ 1-10, 1 1/8-5, 1 1/4-4	BMF-20	4.500	2.750	1.438	1.625	5.015	.937	3.25	N/A	2.125	2.750	.437 Thru .687 C'Bore #8 Taper Pin	.688 Thru 1.000 C'Bore 1.625 Deep
▶ R-45, 46, 47, 55, 56, 57, 58 ▶ 1 1/2-4	BMF-25	6.500	3.690	1.875	2.375	5.977	.970	4.75	N/A	2.750	3.250	.437 Thru .687 C'Bore #8 Taper Pin	.937 Thru 1.375 C'Bore 2.250 Deep
▶ R-50, 50A, 51A, 53, 54, 54A ▶ 1 3/4-4	BMF-30	6.500	3.690	1.875	2.375	6.595	1.156	4.75	N/A	3.225	3.725	.437 Thru .687 C'Bore #8 Taper Pin	.937 Thru 1.375 C'Bore 2.250 Deep
▶ R-61, 62													
▶ R-60, 60A, 63													
▶ R-75													
▶ R-70, 71, 74													
▶ R-80													
▶ R-90, 91													