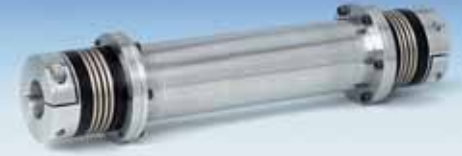


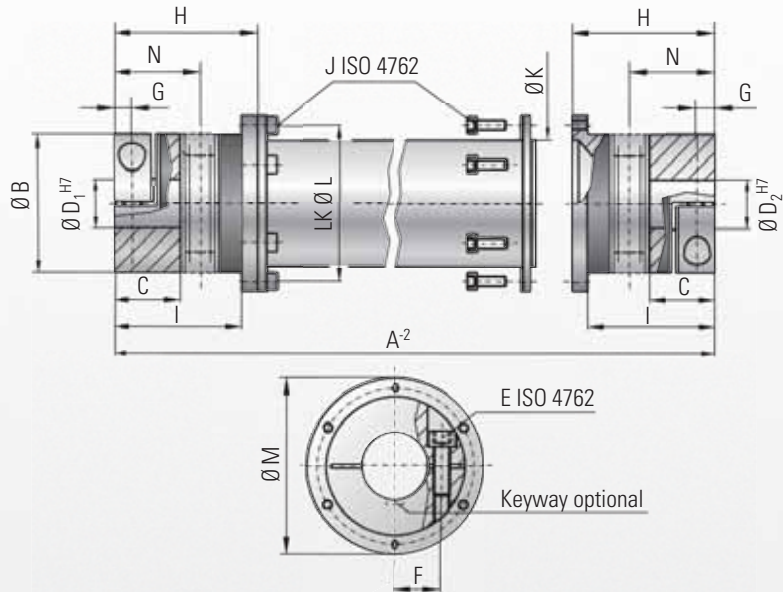


MODEL ZA 10-800 Nm

BACKLASH FREE LINE SHAFTS



with clamping hub



Ordering example

ZA / 10 / 1551 / 18/19.05/XX

Model
Series/rated torque Nm
Overall length mm
Bore \varnothing D1 H7
Bore \varnothing D2 H7
Non-Standard e.g. carbon tube

All data is subject to change without notice.

Properties:

- Compensation for misalignments
- Backlash-free and torsionally rigid
- Able to span long distances
- Standard lengths up to 6 m (19.68 ft.)
- No intermediate support bearing required
- Intermediate tube removable for easy mounting

Material:

Bellows made of flexible high grade stainless steel. Aluminum intermediate tube section through size 200, size 300 and up steel. **Optional composite CFK tube.** Clamping hubs through size 60 aluminum, size 150 and up steel.

Design:

Balanced clamping hubs with one radial screw per ISO 4762. Intermediate tube section supported by gimbals within the clamping hub. Mounting and dismounting accomplished through the removal of the intermediate tube section. Absolutely backlash-free due to frictional clamp connection.

Temperature range:

-30 to +100° C (-22° F to 212° F)

Speed:

Depending on length A, please contact R+W

Service life:

These couplings have an infinite life and are maintenance-free if the technical ratings are not exceeded.

Fit tolerance:

Shaft/hub connection 0.01 to 0.05 mm

Model ZA 10 - 800 Nm		Series							
		10	30	60	150	200	300	500	800
Rated torque (Nm)	T_{KN}	10	30	60	150	200	300	500	800
Overall length min. to max. (mm)	A^{-2}	110 - 6000	140 - 6000	170 - 6000	190 - 6000	210 - 6000	250 - 6000	260 - 6000	260 - 6000
Outer diameter clamping hub (mm)	B	40	55	66	81	90	110	123	134
Fit length (mm)	C	16	27	31	35.5	40.5	43	50	48
Inner diameter from \varnothing to \varnothing H7 (mm)	$D_{1/2}$	5 - 20	10 - 28	12 - 32	19 - 42	22 - 45	30 - 60	35 - 60	40 - 72
With keyway max. \varnothing H7 (mm)	$D_{1/2}$	17	23	29	36	45	60	60	66
ISO 4762 clamping screw	E	M4	M6	M8	M10	M12	M12	M16	2x M16
Tightening torque (Nm)	E	5	15	40	70	110	130	200	250
Distance between centers (mm)	F	15	19	23	27	31	39	41	48
Distance (mm)	G	5	7.5	9.5	11	12.5	13	17	18
Length bellows body (mm)	H	44.5	57.5	71	78	86	94	110	101
Distance (mm)	I	38.5	51	61	69	75.5	81	96	89
ISO 4762 screw	J	4x M4	6x M4	6x M5	8x M6	8x M6	8x M8	8x M8	10x M8
Tightening torque of the assembly screws (Nm)	J	3	4	7	10	12	30	30	40
Outer diameter tube section (mm)	K	35	50	60	76	90	100	110	120
Bolt hole circle \varnothing (mm)	L	45	62.5	71.5	88	100	120	132	138
Outer diameter flange (mm)	M	52	70	80	98	110	135	148	153
Shaft average value (mm)	N	25	34	41	47	52	56	66	64

1Nm = 8.85 in lbs max. permissible misalignment page 6