

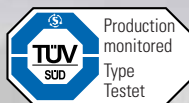


single-position
multi-position
load holding
full disengagement



Pulley not included.

MODEL SK1

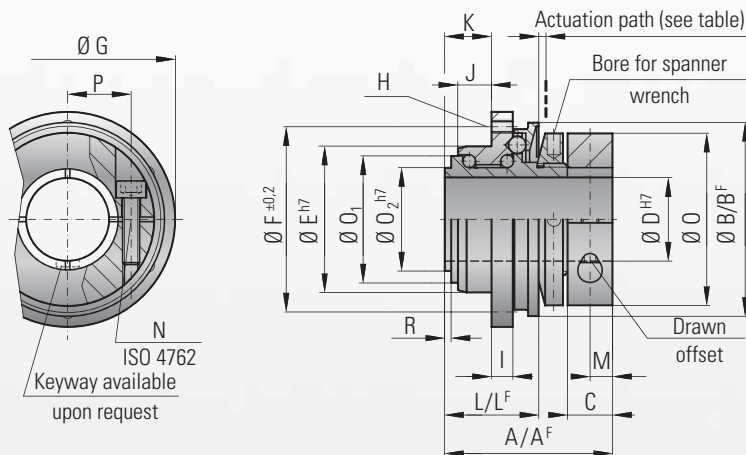


BACKLASH FREE TORQUE LIMITER

with conical clamp connection

Miniature Design Series 1.5 - 10

Standard clamping hub



Material:

High strength, hardened steel

Design:

Model SK1 from 1.5 - 10 Nm with clamping hub
Model SK1 von 15 - 2,800 Nm with conical clamp
Absolutely backlash free through the frictional clamping connection

Temperature range:

-30 to +120° C

Service life:

Maintenance free when operated within the technical specifications

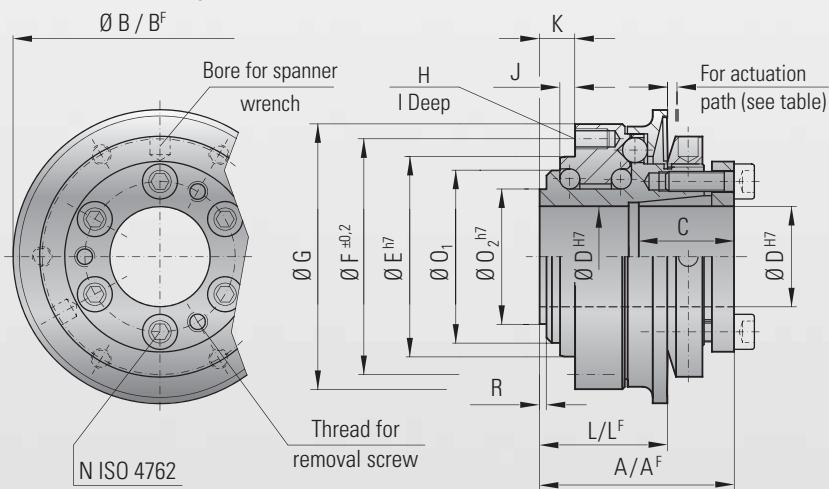
Fit tolerance:

Tolerance between hub and shaft 0.01 - 0.05 mm

Optional sealed version for food-grade applications (see page 26)

Design Series 15-2500

Standard conical clamp



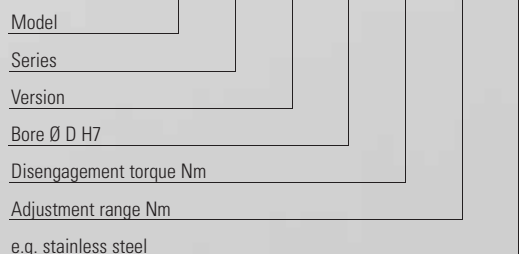
Optional ATEX

Certified under the ATEX 95a directive for the hazardous zones 1/21 and 2/22



Ordering specifications

SK1 / 10 / W / 14 / 4 / 2-6 / xx



All data is subject to change without notice.

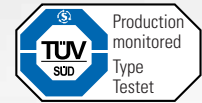
Possible versions

- W = Single-position engagement
- D = Multi-position engagement
- G = Load holding
- F = Full disengagement

For the maximum permissible radial load capacity for all SK 1 models, see installation instructions on page 22/23

optional
stainless
steel

single-position
multi-position
load holding
full disengagement



MODEL SK 1		Miniature Design													
		Series													
		1.5	2	4.5	10	15	30	60	150	200	300	500	800	1500	2500
Adjustment range available from - to (approx. values) (Nm)	T _{KN}	0.1-0.6 0.4-1 0.8-2	0.2-1.5 0.5-2.2 1.5-3.5	1-3 2-4.5 3-7	2-6 4-12 7-18	5-15 12-25 20-40 35-70	5-20 10-30 20-60 50-100	10-30 25-80 20-60 50-115	20-70 45-150 80-225	30-90 60-160 140-280 250-400	100-200 150-240 220-440	80-200 200-350 320-650	400-650 500-800 650-950	600-800 700-1200 1000-1800	1500-2000 2000-2500 2300-2800
Adjustment range available from - to (approx. values) ("F" Version) (Nm)	T _{KN}	0.3-0.8 or 0.6-1.3	0.5-2	2.5-4.5	2-5 4-10 8-15	7-15	8-20 or 16-30	10-30 20-40 30-60	20-60 40-80 80-150	80-140 or 130-200	120-180 160-300 300-450	50-150 100-300 250-500	200-400 or 450-850	1000-1250 or 1250-1500	1400-2200 or 1800-2700
Overall length (mm)	A	23	28	32	39	40	50	54	58	63	70	84	95	109	146
Overall length ("F" Version) (mm)	A ^F	23	28	32	39	40	50	54	58	66	73	88	95	117	152
Actuation ring Ø (mm)	B	23	29	35	45	55	65	73	92	99	120	135	152	174	242
Actuation ring Ø, ("F" Version) (mm)	B ^F	24	32	42	51.5	62	70	83	98	117	132	155	177	187	258
Clamping fit length (mm)	C	7	8	11	11	19	22	27.5	32	32	41	41	49	61	80
Inner diameter from Ø to Ø H7 (mm)	D	4-8	4-12	5-14	6-20	8-22	12-22	12-29	15-37	20-44	25-56	25-56	30-60	35-70	50-100
Pilot diameter h7 (mm)	E	14	22	25	34	40	47	55	68	75	82	90	100	125	168
Bolt-hole circle diameter ± 0,2 (mm)	F	22	28	35	43	47	54	63	78	85	98	110	120	148	202
Flange outside diameter -0,2 (mm)	G	26	32	40	50	53	63	72	87	98	112	128	140	165	240
Thread	H	4x M2	4x M2.5	6x M2.5	6x M3	6x M4	6x M5	6x M5	6x M6	6x M6	6x M8	6x M8	6x M10	6x M12	6x M16
Thread depth (mm)	I	3	4	4	5	6	8	9	10	10	10	12	15	16	24
Centering length -0,2 (mm)	J	2.5	3.5	5	8	3	5	5	5	5	6	9	10	13.5	20
Distance (mm)	K	5	6	8	11	8	11	11	12	12	15	21	19	25	34
Distance (mm)	L	11	15	17	22	27	35	37	39	44	47	59	67	82	112
Distance ("F" Version) (mm)	L ^F	11.5	16	18	24	27	37	39	41.5	47	51.5	62	75	94	120
Distance (mm)	M	3.5	4	5	5										
Screw ISO 4762	N	1x M 2.5	1x M 3	1x M 4	1x M 4	6x M4	6x M5	6x M5	6x M6	6x M6	6x M8	6x M8	6x M10	6x M12	6x M16
Tightening torque (Nm)		1	2	4	4.5	4	6	8	12	14	18	25	40	70	120
Outside diameter clamp ring Ø (mm)	O	20	25	32	40										
Diameter (mm)	O ₁	13	18	21	30	35	42	49	62	67	75	84	91	112	154
Diameter h7 (mm)	O ₂	11	14	17	24	27	32	39	50	55	65	72	75	92	128
Distance between centers (mm)	P	6.5	8	10	15										
Distance (mm)	R	1	1.3	1.5	1.5	2.5	2.5	2.5	2.5	3	3	4	4	4.5	6
Moment of inertia (10 ⁻³ kgm ²)	J _{ges}	0.01	0.02	0.05	0.07	0.15	0.25	0.50	1.60	2.70	5.20	8.60	20	31.5	210
Approx. weight (kg)		0.03	0.065	0.12	0.22	0.4	0.7	1.0	1.3	2.0	3.0	4.0	5.5	10	28
Actuation path (mm)		0.7	0.8	0.8	1.2	1.5	1.5	1.7	1.9	2.2	2.2	2.2	2.2	3.0	3.0

A^F, B^F, L^F = Full disengagement version