

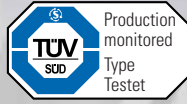


single-position  
multi-position  
load holding  
full disengagement



Pulley not included.

# MODEL SKP

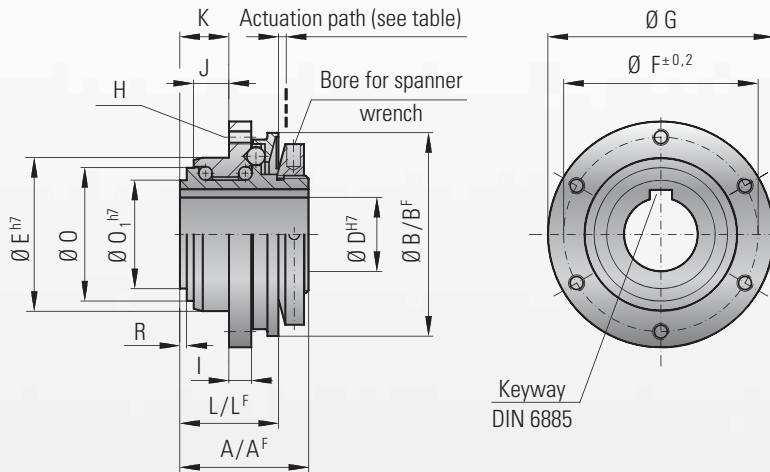


## BACKLASH FREE TORQUE LIMITER

With pure keyway connection

### Miniature series 1.5 - 10

With pure keyway connection



**Material:**

High-strength, hardened steel

**Design:**

Pure keyway connection  
Torque limiting element is backlash free

**Temperature range:**

-30 to +120° C

**Service life:**

Maintenance free when operated within the technical specifications

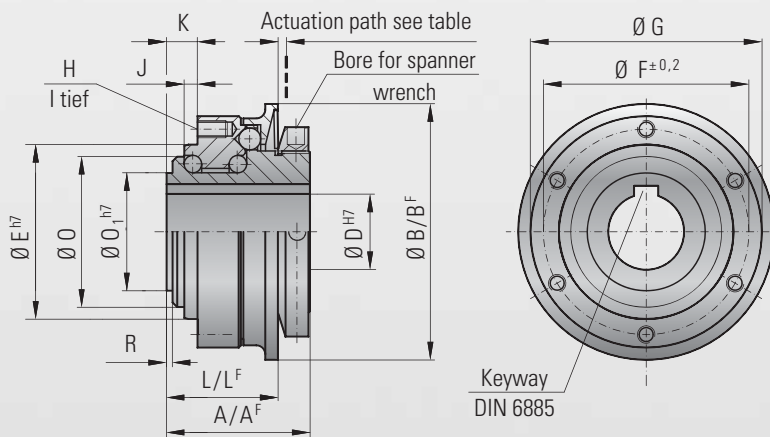
**Fit tolerance:**

Tolerance between hub and shaft 0.01 – 0.05 mm

**Optional sealed version for food-grade applications (see page 26)**

### Series 15-2500

With pure keyway connection



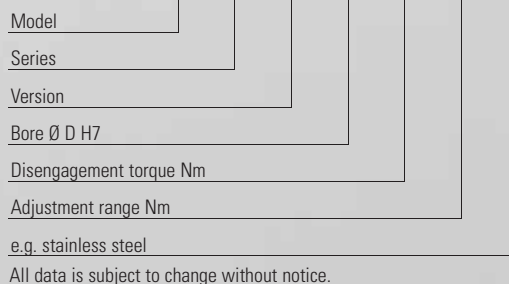
### Option ATEX

Certified under the ATEX 95a directive for the hazardous zones 1/21 and 2/22



### Ordering specifications

SKP / 10 / W / 14 / 4 / 2-6 / xx



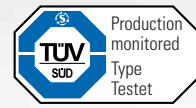
**Possible versions**

- W = Single-position engagement (standard)
- D = Multi-position engagement
- G = Load holding
- F = Full disengagement

**For the maximum permissible radial load capacity for all SKP models, see installation instructions on page 22/23**

optional  
stainless steel

single-position  
multi-position  
load holding  
full disengagement

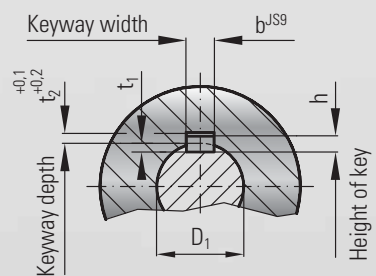


MODEL SKP	Miniature Design														
	Series														
		1.5	2	4.5	10	15	30	60	150	200	300	500	800	1500	2500
Adjustment range available from - to (approx. values) (Nm)	$T_{KN}$	0.1-0.6 0.4-1 0.8-2	0.2-1.5 0.5-2.2 1.5-3.5	1-3 2-4.5 3-7	2-6 4-12 7-18	5-15 12-25 20-40 35-70	5-20 10-30 20-60 50-100	10-30 25-80 50-115	20-70 45-150 80-225	30-90 60-160 140-280 250-400	100-200 150-240 220-440	80-200 200-350 320-650	400-650 500-800 650-950	600-800 700-1200 1000-1800	1500-2000 2000-2500 2300-2800
Adjustment range available from - to (approx. values) ("F" Version) (Nm)	$T_{KN}$	0.3-0.8 or 0.6-1.3	0.5-2	2.5-4.5	2-5 4-10 8-15	7-15	8-20 or 16-30	10-30 20-40 30-60	20-60 40-80 80-150	80-140 or 130-200	120-180 160-300 300-450	50-150 100-300 250-500	200-400 or 450-850	1000-1250 or 1250-1500	1400-2200 or 1800-2700
Overall length A (mm)	A	15.5	20	22	28	34	43	46	48.5	54	57	71.5	80	93	135
Overall length A ("F" Version) (mm)	A <sup>F</sup>	15.5	20	22	28	34	43	46	48.5	57	60	75	91	110	141
Actuation ring Ø (mm)	B	23	29	35	45	55	65	73	92	99	120	135	152	174	242
Actuation ring Ø, ("F" Version) (mm)	B <sup>F</sup>	24	32	42	51.5	62	70	83	98	117	132	155	177	187	258
Bore Diameter from Ø to Ø H7 (mm)	D	4-8	4-10	5-12	6-16	8-19	12-25.4	12-30*	15-38	20-44	25-50	25-58	30-60	35-73	50-95
Pilot diameter h7 (mm)	E	14	22	25	34	40	47	55	68	75	82	90	100	125	168
Bolt-hole circle diameter ± 0,2 (mm)	F	22	28	35	43	47	54	63	78	85	98	110	120	148	202
Flange outside diameter -0,2 (mm)	G	26	32	40	50	53	63	72	87	98	112	128	140	165	240
Thread	H	4xM2	4xM2.5	6xM2.5	6xM3	6xM4	6xM5	6xM5	6xM6	6xM6	6xM8	6xM8	6xM10	6xM12	6xM16
Thread depth (mm)	I	3	4	4	5	6	8	9	10	10	10	12	15	16	24
Centering length -0,2 (mm)	J	2.5	3.5	5	8	3	5	5	5	5	6	9	10	13.5	20
Distance (mm)	K	5	6	8	11	8	11	11	12	12	15	21	19	25	34
Distance (mm)	L	11	15	17	22	27	35	37	39	44	47	59	67	82	112
Distance ("F" Version) (mm)	L <sup>F</sup>	11.5	16	18	24	27	37	39	41.5	47	51.5	62	75	94	120
Diameter (mm)	O	13	18	21	30	35	42	49	62	67	75	84	91	112	154
Diameter h7 (mm)	O <sub>1</sub>	11	14	17	24	27	32	39	50	55	65	72	75	92	128
Distance (mm)	R	1	1.3	1.5	1.5	2.5	2.5	2.5	2.5	3	3	4	4	4.5	6
Moment of inertia (10 <sup>-3</sup> kgm <sup>2</sup> )	J <sub>ges</sub>	0.01	0.02	0.05	0.07	0.15	0.25	0.50	1.60	2.70	5.20	8.60	20	31.5	210
Approx. weight (kg)		0.03	0.065	0.12	0.22	0.4	0.7	1.0	1.3	2.0	3.0	4.0	5.5	10	28
Actuation path (mm)		0.7	0.8	0.8	1.2	1.5	1.5	1.7	1.9	2.2	2.2	2.2	2.2	3.0	3.0

A<sup>F</sup>, B<sup>F</sup>, L<sup>F</sup> = Full disengagement version \*Ø 30 with flat keyway, keyway depth (t<sub>2</sub>) 2.8 + 0.2

Keyway according to the DIN 6885 Standard

D <sub>1</sub>	from to	6 8	8 10	10 12	12 17	17 22	22 30	30 38	38 44	44 50	50 58	58 65	65 75	75 85	85 95	95 110
b <sup>JS9</sup>		2	3	4	5	6	8	10	12	14	16	18	20	22	25	28
h		2	3	4	5	6	7	8	8	9	10	11	12	14	14	16
t <sub>1</sub>		1.2	1.8	2.5	3	3.5	4	5	5	5.5	6	7	7.5	9	9	10
t <sub>2</sub>	+0.1 / +0.2	1	1.4	1.8	2.3	2.8	3.3	3.3	3.3	3.8	4.3	4.4	4.9	5.4	5.4	6.4



Imperial dimension keyways also available.