

4th LEVEL AZM200

- > ± 5 mm tolerance for sensorial technique.
- > In compliance with EN ISO 13849-1, IEC 61508, IEC 60947-5-3
- > Suitable for applications up to category 4 - up to SIL 3 - PL up to "e"
- > Simple assembling with few screws.
- > Possible unlocking from inside with a simple intuitive operation.

Code: MISCHAZM2004

Compatible with all SATECH
assembling systems



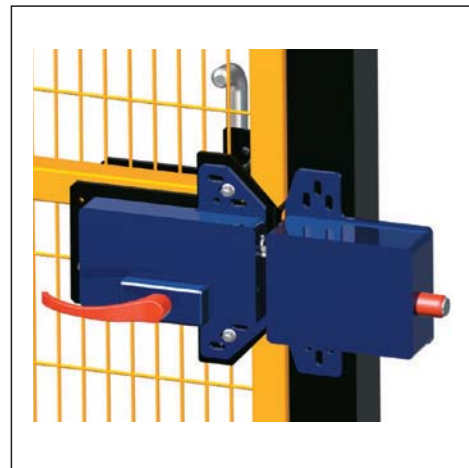
SCHMERSAL AZM415

- 4th level Schmersal system completed with Satech standard.
- > Ergonomic external handle.
 - > Inner handle for emergency unlocking
 - > Electric emergency release of 4th category by means of a simple redundant microswitch.

Prescriptions: EN ISO 13849-1 B10d : 2.000.000

Code: MISCHAZM415

Compatible with all SATECH
assembling systems

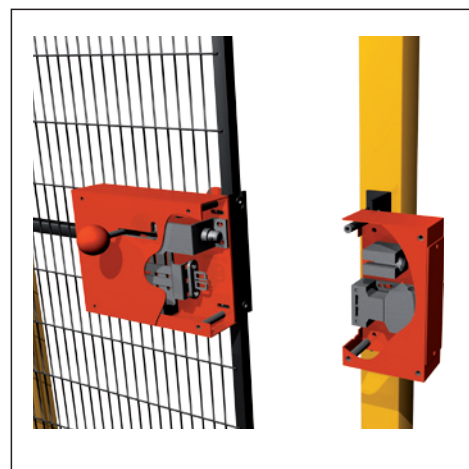


3rd / 4th LEVEL

- Locking system designed for the personnel's safety
- > Antipanic unlocking for emergency opening from inside.
 - > In-built microswitch.
 - > Key lock in open position to prevent accidental closing.
 - > Double control mechanical lock.

Code: LOCK3LSAC

Compatible with all SATECH
assembling systems



ANTIPANIC

- System perfectly integrated with Satech standard panels
- > Compact execution.
 - > Limited access from outside.
 - > Fast and safe opening from inside.
 - > Lock with universal dedicated cylinder.

Code: LOCKSABSUNI

Compatible with all SATECH
assembling systems



KEY LOCK

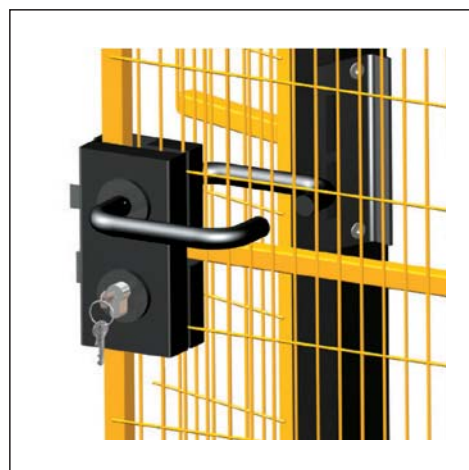
Functional lock in Satech standard panels. It allows to prevent the access to unauthorized personnel by means of a key.

- > Compact execution. > Limited access from outside.
- > Lock with universal dedicated cylinder.

These closing devices are only to be used to allow access to an area where it is possible to exit through an unlocked door.

Code: LOCKSB4655

Compatible with all SATECH assembling systems



BOLT

System for Satech double-leaf doors and opposing sliding doors.

- > Simple mechanical execution. > Universal for each type of safety switch.
- > It protects the safety switch actuator. > Precise during the actuator operation.

These closing devices are only to be used to allow access to an area where it is possible to exit through an unlocked door.

Code: LOCK4255

Compatible with all SATECH assembling systems

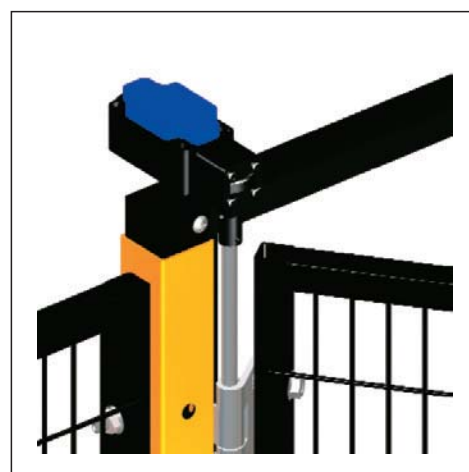


HINGE MICRO SWITCH

Now Satech offer a **safety system with micro switch applied directly on the hinges of leaf doors**. This system is **very easy to mount, very sensitive and safe** and is installed in a position protected from damages owing to accidental impacts.

Code: MIEUCHERNM

Compatible with all SATECH assembling systems



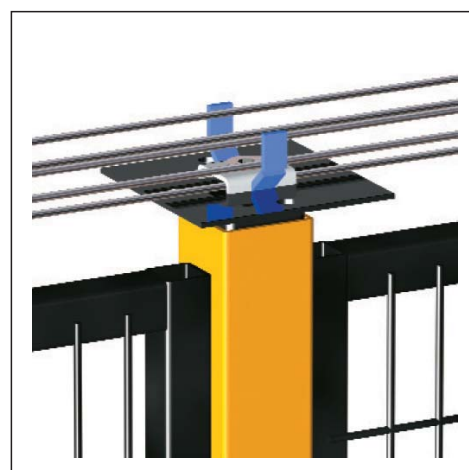
CABLE DUCT SUPPORT

The particular **cable duct support** allows the **immediate direct anchoring of the cable duct to the upright (Basic or Strong)** without special brackets. The system offers:

- fast insert into the upright.
- Anchoring to the cable duct with screws of standard brackets supplied with cable ducts.

Code: VSUPPORT040 / 60

Compatible with all SATECH assembling systems

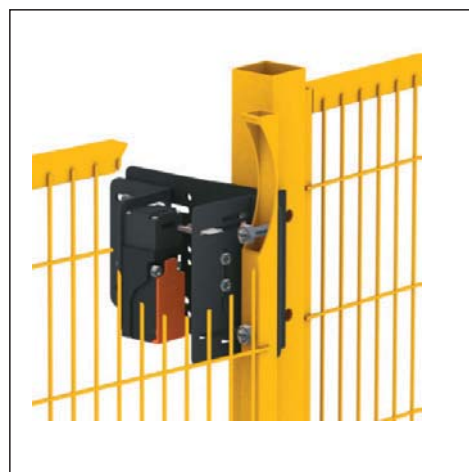


UNIVERSAL BRACKETS FOR MICRO SWITCHES

> SATECH has designed and produced a universal supporting system for safety micro switches allowing an **easy and fast assembling of all the most usual safety micro switches on all standard doors**. That avoids the expensive adjustment of supports to the models of different manufacturers.

Code: MSTAUNI4060

Compatible with all SATECH assembling systems

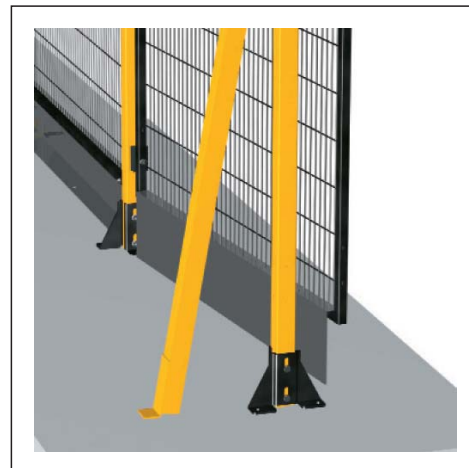


SUPPORT STRUTS

In case of horizontal dynamic loads due to large doors or of unfavourable positions in the protection lay-out, **the uprights of the Basic and Strong Series** can be stiffened by support struts to obtain a **very convenient solution assuring a considerable stabilizing action**.

Code: VCOMCONT40 / 60

Compatible with all SATECH assembling systems



DOORS WITH MICROWITCHES

In order to **take samples on line for a process statistical control**, Satech design and produce **built-in openings** in standard panels allowing a simple and totally safe operation. Design is based on Satech's tested standard systems assuring safety and easy operation. 400x400 and 600x600 are available.

Code: ASPORT40 / 60 MIC

Compatible with all SATECH assembling systems

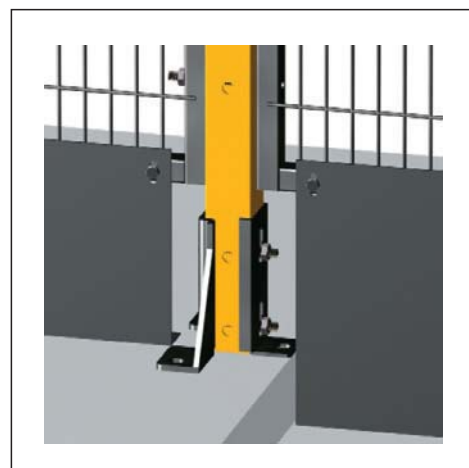


KICK PLATE

The particular shaped kick plate allows an **extremely fast and stable assembling on each module and panel type of Satech's protection modular systems**. The stout structure prevents the outlet (or inlet) of potentially dangerous materials through the usually free space between panel and floor.

Code: V BAT 144 140 / 200

Compatible with all SATECH assembling systems

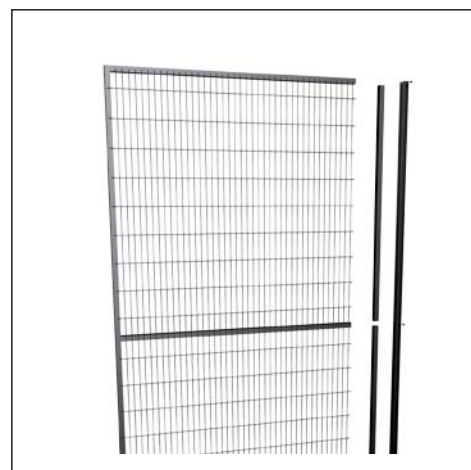


CUTTING KIT

These systems are indicated for a fast and easy adaptation of Satech's standard panels in unforeseen assembling situations or when there is a need to change the size of the protections over time.

Code: VTAGLIO20 / 30 NP

Compatible with systems
Basic, Strong and Green Fast



ADJUSTABLE BASEPLATES AND SHIMS

Those two accessories represent a solution to adjust the support of the uprights on the ground leveling the defects of the industrial floors, or the adjustment of the floor slope imposed by the requirements of liquid collection.

Code: VCOMPIERLR40 / 60

Compatible with systems
Basic, Strong and MDF



VARIABLE ANGLE JOINT

This accessory is designed to allow the junction between panels and uprights with different angles varying from 90° directly during the installation phase.

Code: GDEF40 / 60

Compatible with systems
Basic, Strong



REINFORCED LINEAR JOINT

This accessory allows to obtain a better horizontal stiffness when joining two panels without the provision of the upright. Practical and fast to lay.

Code: GLRRINF20 / 30 NG

Compatible with systems
Basic, Strong and Green Fast

