

# Fibre-optic cables – accessories

Everything needed for using fibre-optic cable systems



From products “by the metre” to ancillary lenses – SensoPart offers all the accessories necessary for the use of fibre-optic sensors. The comprehensive range also includes a special combination tool with which the sensitive fibre-optic cables can be shortened and bent with almost no performance loss.

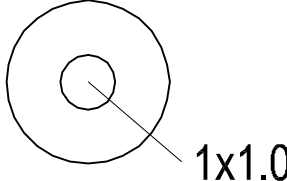
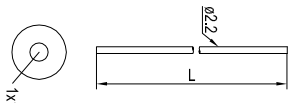
## TYPICAL SENSOPART FIBRE-OPTIC CABLES

- Ancillary lenses for expanding the range of standard fibre-optic cables
- Deflection head for restricted spaces
- Connection adapter for all conventional fibre-optic sensors
- Precise shortening and bending of fibre-optic cables with almost no performance loss

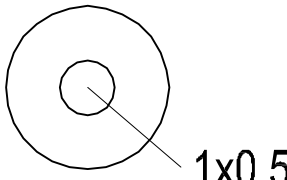
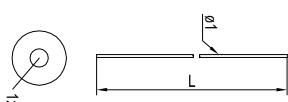
Fibre-optic cables – Accessories – Product overview	
	Page
Metre goods	536
Adapters	537
Ancillary lenses	538
Cutting tool	539

# Fibre-optic cables – accessories

Metre goods

K2L 1,0 POF simplex fibre-optic cable				Highlights		
				<p>153-01034</p> <ul style="list-style-type: none"> <li>• Simplex plastic fibre-optic cable</li> <li>• Fibre length individually cuttable</li> </ul>		
<p>1x1.0</p>		<p>1x1.0</p>				
Core fibre Ø (mm)	Fibre material	External diameter (mm)	Sheath material	Numerical aperture	Damping at 650 nm (dB/km)	Fibre bending radius (mm)
1 x 1.0	PMMA	2.2	Polyethylene (PE)	0.5	≤ 150	25

Part number	Article number
K2L 1,0 POF simplex	978-51680

K2L 0,5 POF simplex fibre-optic cable				Highlights		
				<p>153-01035</p> <ul style="list-style-type: none"> <li>• Simplex plastic fibre-optic cable</li> <li>• Fibre length individually cuttable</li> </ul>		
<p>1x0.5</p>		<p>1x0.5</p>				
Core fibre Ø (mm)	Fibre material	External diameter (mm)	Sheath material	Numerical aperture	Damping at 650 nm (dB/km)	Fibre bending radius (mm)
1 x 0.5	PMMA	1.0	Polyethylene (PE)	0.5	≤ 180	15

Part number	Article number
K2L 0,5 simplex	978-51688

Metre goods, adapters

K2R 1,0 POF duplex fibre-optic cable				Highlights		
				<ul style="list-style-type: none"> <li>• Duplex plastic fibre-optic cable</li> <li>• Fibre length individually cuttable</li> </ul>		
Core fibre Ø (mm)	Fibre material	External diameter (mm)	Sheath material	Numerical aperture	Damping at 650 nm (dB/km)	Fibre bending radius (mm)
2 x 1.0	PMMA	2 x 2.0	Polyethylene (PE)	0.46	≤ 150	25

Part number	Article number
K2R 1.0 POF duplex	979-51694

LMS 1,0-S2,2	Highlights
	<ul style="list-style-type: none"> <li>• Connection adapter (1.0 / 2.2 mm) for connecting fibres with external diameter of 1.0 mm to FL 20/FL 70 sensors</li> </ul>


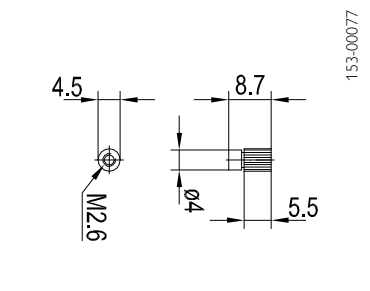
Part number	Article number
LMS1,0-S2,2	724-01000

LMS 1,3-S2,2	Highlights
	<ul style="list-style-type: none"> <li>• Connection adapter (1.3 / 2.2 mm) for connecting fibres with external diameter of 1.3 mm to FL 20/FL 70 sensors</li> </ul>


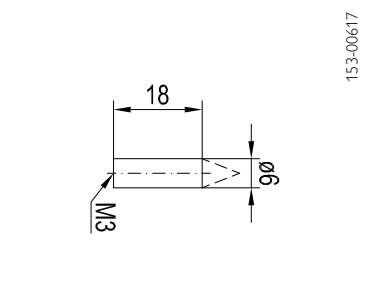
Part number	Article number
LMS1,3-S2,2	724-01001

# Fibre-optic cables – accessories


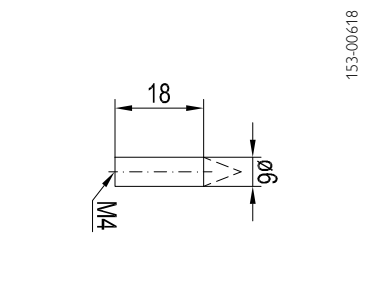
## Ancillary lenses

33 LVL 2,2		Highlights
	 <p>153-00077</p>	<ul style="list-style-type: none"> <li>• Ancillary lens for plastic fibres (pair)</li> <li>• For increasing the range of photoelectric sensors and reducing the aperture angle</li> <li>• Suitable for fibres with an external diameter of 2.2 mm or M2.6 sleeve</li> <li>• Axial light exit</li> </ul>

Part number	Article number
33 LVL 2,2	722-50775


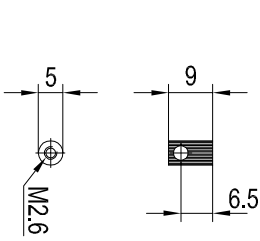
LVLF6-M3		Highlights
	 <p>153-00617</p>	<ul style="list-style-type: none"> <li>• Ancillary lens for fibre-optic cables (single lens)</li> <li>• For increasing the range of photoelectric sensors, reducing the aperture angle, or focusing the operating distance</li> <li>• Can be used with collar bushings with an M3 external thread</li> </ul>

Part number	Article number
LVLF6-M3	722-01003


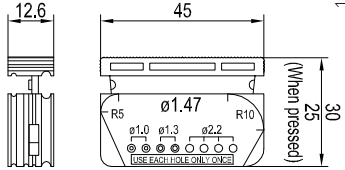
LVLF6-M4		Highlights
	 <p>153-00618</p>	<ul style="list-style-type: none"> <li>• Ancillary lens for fibre-optic cables (single lens)</li> <li>• For increasing the range of photoelectric sensors, reducing the aperture angle, or focusing the operating distance</li> <li>• Can be used with collar bushings with an M4 external thread</li> </ul>

Part number	Article number
LVLF6-M4	722-01004

## Ancillary lenses, cutting tool

33 LVL 2,2-90°		Highlights
	 <p>153-00078</p>	<ul style="list-style-type: none"> <li>• Deflection prism: 90° for plastic fibres (pair)</li> <li>• Suitable for fibres with an external diameter of 2.2 mm or M2.6 sleeve</li> <li>• Radial light exit</li> </ul>

Part number	Article number
33 LVL 2,2-90 Grad	722-50776

Cutting/bending tool		Highlights
	 <p>153-00624</p>	<ul style="list-style-type: none"> <li>• Combination tool for cutting and bending fibre-optic cables and fibre-optic cables with bendable tips</li> </ul>

Part number	Article number
Cutting tool	724-50799