

[Home Page](#) [About Skamar](#) [Catalog](#)
[Contact Skamar](#)

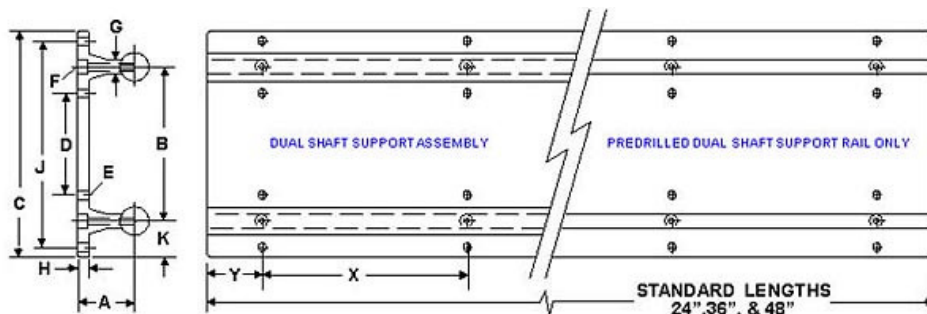
PRODUCT FEATURES AND BENEFITS



Dual shaft support assemblies and rails offer a broad range of design versatility in linear motion applications. They provide an economical means of mounting two hardened and precision ground shafts that are parallel, mounted, and aligned to a single aluminum extrusion base. Two key features of this design include a machined reference edge on one side of the dual shaft support for easy mounting and an extruded T-slot that facilitates the mounting of limit switches that are adjustable along the entire length of the support. The "SMPRA" dual shaft support assemblies are the foundation for the single and multi-axis SureSlide™ systems. The "SSCA" and "TSCA" carriage assemblies are prealigned to match the dual shaft support assemblies and incorporate either linear ball bearings or self-lubricating bearings depending on the type of application. These assemblies are a quick and efficient solution that will enable you to achieve a linear system configuration suited to your particular needs. Skamar Machine Company also provides complete in-house machining capabilities offering total solutions in this product range for your linear motion requirements. Most importantly, we provide you consistently with the best delivery in the industry on standard and engineered dual shaft supports.

DUAL SHAFT SUPPORT ASSEMBLIES AND PREDRILLED DUAL SHAFT SUPPORT RAILS

SHAFT DIA.	DUAL SHAFT SUPPORT ASSEMBLY	PRDRILLED DUAL SHAFT SUPPORT RAIL	A +/- .001	B +/- .001	C	D	E BOLT	E HOLE
3/4	SMPRA-12	SMPR-12-PD	1.500	4.500	6.250	3.250	10	.221
1	SMPRA-16	SMPR-16-PD	1.750	5.250	7.375	3.750	1/4	.281
1-1/2	SMPRA-24	SMPR-24-PD	2.500	6.625	9.625	4.375	5/16	.343



SHAFT DIA.	F SCREW	F HOLE	G	H	J	K +/- .001	X	Y	WEIGHT (LBS/FT) **
3/4	10-32 X 1 1/4	.221	3/8	.275	5.750	0.875	6	3	6.99
1	1/4-20 X 1 1/2	.281	1/2	.295	6.750	1.062	6	3	10.35
1-1/2	3/8-16 X 2	.406	11/16	.415	8.875	1.500	8	4*	21.68

NOTES:

- (*) SMPR-24-PD-36" (Y=2")
- (**) WT/FT INCLUDES DUAL SHAFT SUPPORT RAIL ASSEMBLED WITH TWO (2) SHAFTS
- CUT TO LENGTH SECTIONS (AVAILABLE UPON REQUEST, MAX. INDIVIDUAL LENGTH = 72 IN.)
- MATERIAL SPECIFICATIONS: 1060 HARDENED AND PRECISION GROUND SHAFTING, CLASS "L"
- 303, 316, 440C STAINLESS STEEL HARDENED AND PRECISION GROUND SHAFT (AVAILABLE UPON REQUEST)
- STANDARD SHAFT FINISH: NONE, OPTIONAL SHAFT FINISH: CHROME, BLACK OXIDE, ***ARMOLLOY®
- STANDARD SUPPORT FINISH: GOLD ANODIZED, OPTIONAL SUPPORT FINISH: UNPLATED. CLEAR, BLUE, OR BLACK ANODIZED
- INDUSTRY STANDARD HOLE SPACING FOR SHAFTING AND DUAL SHAFT SUPPORT SYSTEM 6061-T6 ALUMINUM DUAL SHAFT SUPPORT
- CUSTOM DUAL SHAFT AND ASSEMBLY INQUIRES CAN BE FAXED TO:(216)249-8674 OR EMAILED TO: info@skamar.com

*** Armoloy is a registered trademark of the Armoloy Corporation

[HOME](#) | [ABOUT SKAMAR](#) | [CATALOG](#) | [CONTACT SKAMAR](#)

©Copyright 2007 SKAMAR All Rights Reserved

The data and specifications in this publication are believed to be accurate and reliable. However, it is the responsibility of the product user to determine the suitability of Skamar Machine products for a specific application. While defective products will be replaced without charge if promptly returned, no liability is assumed beyond such replacement.