

MOUNTS

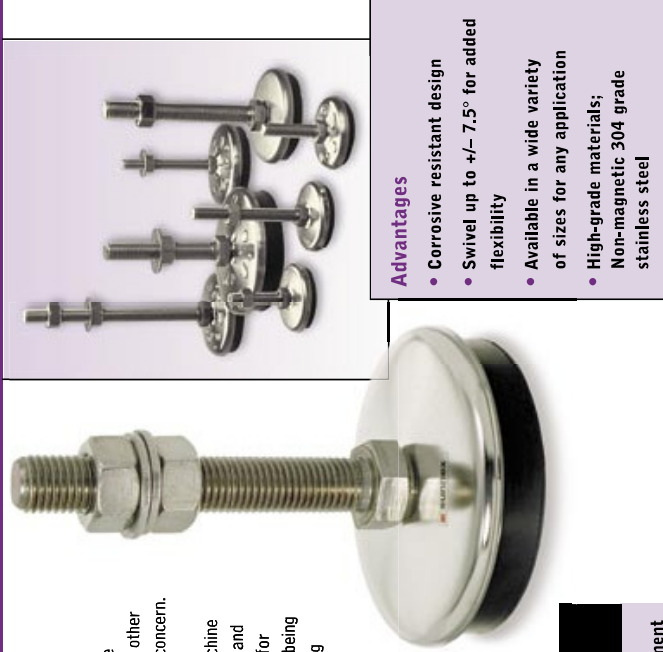
Anti-Vibration: Stainless Steel & Zinc Plated

AM-Series

Sunnex AM-Series mounts are ideal for use in food and chemical processing as well as other applications where vibration isolation is a concern.

Sunnex Stainless Steel and Zinc-Plated machine mounts have no hidden pockets where dirt and moisture can collect, making them ideal for applications where equipment is constantly being cleaned or where corrosion of steel leveling mounts may be a problem.

All models are also available in zinc-plated steel for environments where corrosion is not a factor, yet require a high level of vibration isolation.

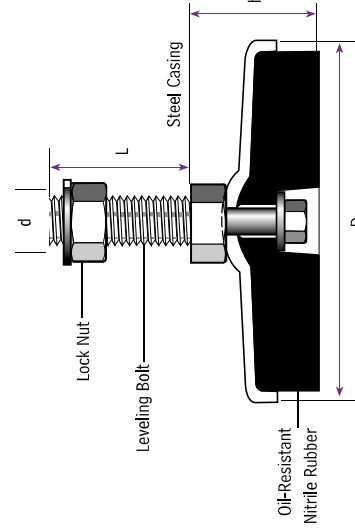
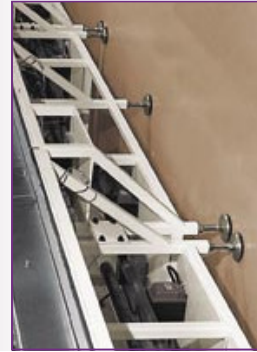


Advantages

- Corrosive resistant design
- Swivel up to +/- 7.5° for added flexibility
- Available in a wide variety of sizes for any application
- High-grade materials; Non-magnetic 304 grade stainless steel

Applications

- Food & Beverage Packaging Equipment
- Chemical Processing Machinery
- Medical Manufacturing Equipment
- Assembly Equipment
- Semiconductor Processing Equipment



See our Online Specifications:

www.sunnexonline.com/mounts/AM-series.htm



Stainless Item No.	Zinc Plated Item No.	Load Capacity (lbs)	Base Diameter, D (in)	Leveling Bolt d x L	Base Height, h (in)	Overall Ht (in)
1021525S	102152ZP			1/2-13 x 2	1.57/16	2.94
1021545S	102154ZP			1/2-13 x 4		4.94
1021565S	102156ZP	250	2.64	1/2-13 x 6		6.94
1021545S	102154ZP			1/2-13 x 4		4.94
102112125S	10211212ZP			M12x1.75 x 120		5.66
1022525S	102252ZP			1/2-13 x 2	1.57/16	2.94
1022545S	102254ZP			1/2-13 x 4		4.94
1022565S	102256ZP	500	2.64	1/2-13 x 6		6.94
1022645S	102264ZP			5/8-11 x 4	1	5.00
1022665S	102266ZP			5/8-11 x 6		7.00
102212125S	10221212ZP			M12x1.75 x 120	1.57/16	5.66
102216125S	10221612ZP			M16x2 x 120	1	5.66
1031545S	103154ZP			1/2-13 x 4	1.3/8	5.38
1031565S	103156ZP			1/2-13 x 6		7.38
1031645S	103164ZP	1000	3.86	5/8-11 x 4	1.7/16	5.44
1031665S	103166ZP			5/8-11 x 6		7.44
1031685S	103168ZP			5/8-11 x 8		9.44
10316105S	1031610ZP			5/8-11 x 10		11.44
1031745S	103174ZP			3/4-10 x 4	1.9/16	5.56
1031765S	103176ZP			3/4-10 x 6		7.56
1031785S	103178ZP			3/4-10 x 8		9.56
10317105S	1031710ZP			3/4-10 x 10		11.56
103116125S	10311612ZP			M12x1.75 x 120	1.3/8	6.10
103120125S	10312012ZP			M16x2 x 120	1.7/16	6.29
1032545S	103254ZP			1/2-13 x 4	1.3/8	5.38
1032565S	103256ZP			1/2-13 x 6		7.38
1032645S	103264ZP	2000	3.86	5/8-11 x 4	1.7/16	5.44
1032665S	103266ZP			5/8-11 x 6		7.44
1032685S	103268ZP			5/8-11 x 8		9.44
10326105S	1032610ZP			5/8-11 x 10		11.44
1032745S	103274ZP			3/4-10 x 4	1.9/16	5.56
1032765S	103276ZP			3/4-10 x 6		7.56
1032785S	103278ZP			3/4-10 x 8		9.56
10327105S	1032710ZP			3/4-10 x 10		11.56
103216125S	10321612ZP			M12x1.75 x 120	1.3/8	6.10
103220125S	10322012ZP			M16x2 x 120	1.7/16	6.16
103224155S	10322415ZP			M20x2.5 x 120	1.9/16	6.29
1041545S	104154ZP			1/2-13 x 4	1.15/16	5.94
1041565S	104156ZP			1/2-13 x 6		7.94
1041645S	104164ZP	3000	5.50	5/8-11 x 4	2	6.00
1041665S	104166ZP			5/8-11 x 6		8.00
1041745S	104174ZP			3/4-10 x 4	2.1/8	6.13
1041765S	104176ZP			3/4-10 x 6		8.13
1041785S	104178ZP			3/4-10 x 8		10.13
10417105S	1041710ZP			3/4-10 x 10		12.13
104116125S	10411612ZP			M16x2 x 120	2	6.72
104120125S	10412012ZP			M20x2.5 x 120	2.1/8	6.85
104124125S	10412412ZP			M24x3 x 120	2.1/4	6.97
1042545S	104254ZP			1/2-13 x 4	1.15/16	5.94
1042565S	104256ZP			1/2-13 x 6		7.94
1042645S	104264ZP	4000	5.50	5/8-11 x 4	2	6.00
1042665S	104266ZP			5/8-11 x 6		8.00
1042745S	104274ZP			3/4-10 x 4	2.1/8	6.13
1042765S	104276ZP			3/4-10 x 6		8.13
1042785S	104278ZP			3/4-10 x 8		10.13
41027105S	4102710ZP			3/4-10 x 10		12.13
410216125S	41021612ZP			M16x2 x 120	2	6.72
410220125S	41022012ZP			M20x2.5 x 120	2.1/8	6.85
410224155S	41022415ZP			M24x3 x 120	2.1/4	6.97

*Includes one nut & washer set

See back page for ordering information.