



Model M5

M-Series Heavy Duty Mounts

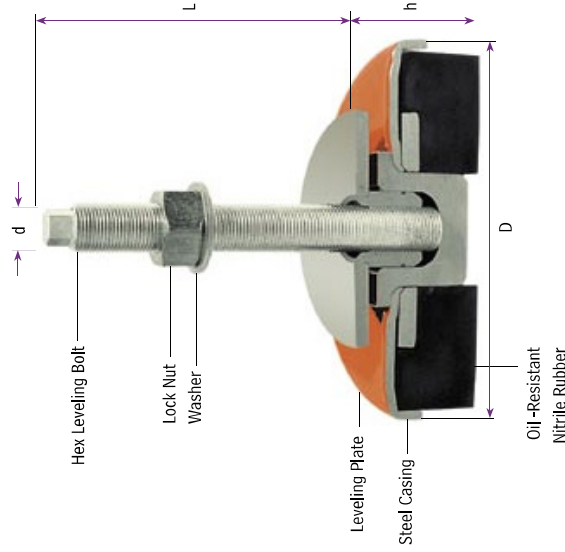
The M-Series mount is designed for use on machinery that does not require fastening to the floor. It has been designed with the aid of FEM analysis, which prevents fatigue from fast working cycle times and strong lateral forces in heavy machinery.

Replacing the M-series mount is easy - simply unscrew and slide the mount under the machine. The reinforced leveling bolt support cup distributes machine loads to the support points within the mount. The leveling element provides direct and reliable machine mounting to suit most installation needs.

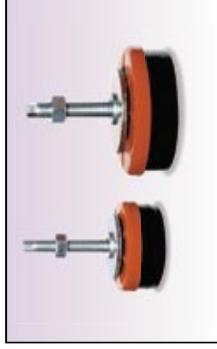
Vertical as well as horizontal forces are dampened out by the integral nitrile pad, which also provides chemical resistance to most fluids.

Advantages

- High strength machined components
- Rapid installation & leveling
- Critical noise reduction
- 80% vibration reduction



Models M1 and M2



Models M101 and M102



Applications

- Milling Machines
- Lathes
- Grinders
- Drill Presses
- Band Saws
- Screw Machines
- Printing Presses
- Plastic Injection Molding Machines
- Die-casting Equipment
- Punch Presses
- Packaging Equipment

Accessories:

- Steel Spacers
- Additional Bolt Lengths
- Thread Adapters

Item No.	Model	Load (lbs)	Height, h min. (in)	Adjustment, A (in)	Diameter, D (in)	Thread type d x l	Length L _i (in)
10001	M1	1100	1.50	0.50	3.15	M12-1.25 x 120	3.54
10002	M2	2200	1.80	0.55	4.75	M16-1.5 x 120	3.27
10003	M3	4400	2.10	0.60	6.25	M20-1.5 x 170	5.32
10053	M4	8800	2.13	0.60	6.25	M20-1.5 x 170	5.32
10054	M5	12000	2.20	0.60	7.87	M20-1.5 x 170	5.32
10311	M101	1100	2.16	0.40	3.15	N/A	N/A
10312	M102	2200	2.63	0.40	4.75	N/A	N/A

Includes one nut & washer set

See our Online Specifications:
www.sunnexonline.com/mounts/m-series.htm