



Model H3A

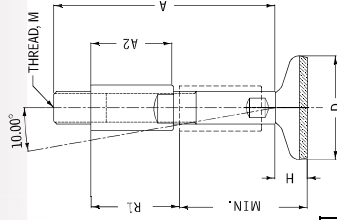
H3A-Series

These hygienic stainless mounts by Sunnex meet all FDA and USDA requirements for food and drug processing equipment. A special rubber vulcanized to the housing produces a completely hygienic seal. In addition the ANSI 304 stainless steel provides high corrosion resistance. A full range of motion from a 10° pivot provides secure footing and complete vibration control.

This model is available in a fully FDA accepted version with or without thread casings, for maximum thread adjustment. Both versions are available in ANSI 316 SS for aggressively corrosive environments. Alternative designs include one or two anchoring holes that secure to the floor.

Advantages

- 304 SS for high chemical resistance
- Wide temperature range: -20 to 100° C
- 10° swivel for increased stability
- Thread casing eliminates contamination
- Thread casing functions as a lock-nut



Applications

- Medical Equipment
- Food & Drug Processing Equipment
- Packaging Machinery
- 3A Design-Meat & Poultry Processing Equipment
- Dairy Processing Machines



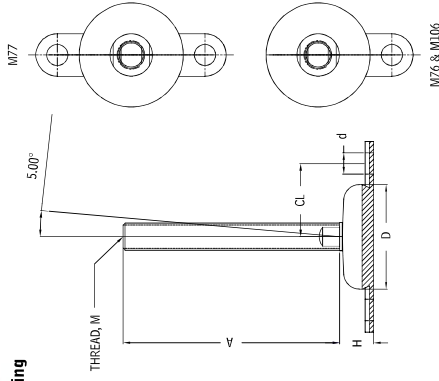
Model M-Anchoring

Hygienic M-Series

The Sunnex Hygienic M-Series has a rounded and polished surface design for applications requiring frequent cleaning and wash-downs. The 5° swivel provides excellent stability even on inclined surfaces. Models are available in a wide range of load capacities, bolt diameters and length configurations. The Hygienic-M Series mounts are also available with a thread casing for added cleanliness. Optional anchoring holes are available to provide easy fastening of equipment. In addition, integrated adjustment flats in the bolt allow full adjustment without sacrificing height even in a blind hole design.

Advantages

- Rubber meets FDA standard
- 177,2600 for food grade requirements
- Rubber permanently vulcanized to housing for hygienic seal
- Wide temperature range: -20° to 100° C
- 5° swivel for increased stability



| Item | Load (lbs) | Base Dia. (D) | Thread (M) | Length (A) | Base H | Overall Ht | Hole (d) | Center (CL) |
|---------|------------|---------------|------------|------------|--------|------------|----------|-------------|
| M76124 | 1770 | 2.95 | 1/2-12 | 4.0 | 0.87 | 4.87 | 0.63 | 2.05 |
| M76584 | 1770 | 2.95 | 5/8-11 | 4.0 | 0.87 | 4.87 | 0.63 | 2.05 |
| M76586 | 1770 | 2.95 | 5/8-11 | 6.0 | 0.87 | 6.87 | 0.63 | 2.05 |
| M76346 | 1770 | 2.95 | 3/4-10 | 6.0 | 0.87 | 6.87 | 0.63 | 2.05 |
| M77124 | 1770 | 2.95 | 1/2-12 | 4.0 | 0.87 | 4.87 | 0.63 | 2.05 |
| M77584 | 1770 | 2.95 | 5/8-11 | 4.0 | 0.87 | 4.87 | 0.63 | 2.05 |
| M77586 | 1770 | 2.95 | 5/8-11 | 6.0 | 0.87 | 6.87 | 0.63 | 2.05 |
| M77346 | 1770 | 2.95 | 3/4-10 | 6.0 | 0.87 | 6.87 | 0.63 | 2.05 |
| M106124 | 2220 | 3.94 | 1/2-12 | 4.0 | 1.26 | 5.26 | 0.63 | 2.64 |
| M106584 | 2220 | 3.94 | 5/8-11 | 4.0 | 1.26 | 5.26 | 0.63 | 2.64 |
| M106586 | 2220 | 3.94 | 5/8-11 | 6.0 | 1.26 | 7.26 | 0.63 | 2.64 |
| M106346 | 2220 | 3.94 | 3/4-10 | 6.0 | 1.26 | 7.26 | 0.63 | 2.64 |

See our Online Specifications:
www.sunnexonline.com/mounts/hygienic/Ha.htm
www.sunnexonline.com/mounts/hygienic/M.htm