

# MOUNTS

## Anti-Vibration and Precision Leveling



### MHD-Series Precision Leveling Mounts

The MHD-Series leveling mount is ideal for machines exerting large horizontal and vertical thrust forces, where a secure, high-precision connection between bedding element and machine is demanded. A unique, patented design allows the MHD mount to absorb impacts from injection molding machines to achieve improved operation and economy. The product absorbs impulses and shocks in high-speed machinery, where damping material is critical.



The Sunnex MHD mount consists of the following components: impact housing, pressure plate, pressure cylinder, and integrated adjustable screw with nut and washer. This structure guarantees precision leveling to 1/100 mm throughout its leveling range, with no change in natural frequency. In addition, an integral locking device prevents the MHD from coming apart during installation or during relocation of the machine. Single machine set-up points are bolted directly to the mount.

The damping pad is carefully engineered to support static and dynamic loads. It also has a specific stiffness, designed to minimize machine deflection caused by dynamic forces. The elastomer can be customized based on thickness and surface profile to meet specific design requirements.

Additionally, spherical washers can be supplied as an optional extra for uneven support surfaces and floors. These washers are interchangeable with any standard MHD interface design.

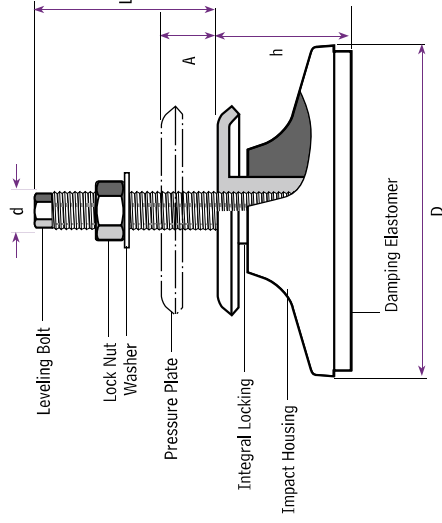
### Advantages

- Excellent horizontal dynamic stability
- Reduced overall height
- Unique design up to 1.18 inches (30 mm)
- Effective vibration isolation improves production output
- Easy installation and relocation
- Minimal lateral deflection
- Allows fine height adjustment under full loads

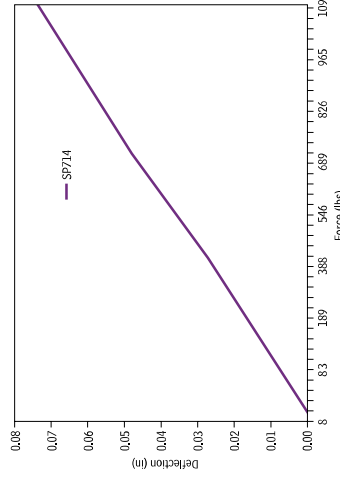
See our Online Specifications:  
[www.sunnexonline.com/mounts/MHD.htm](http://www.sunnexonline.com/mounts/MHD.htm)

### Applications

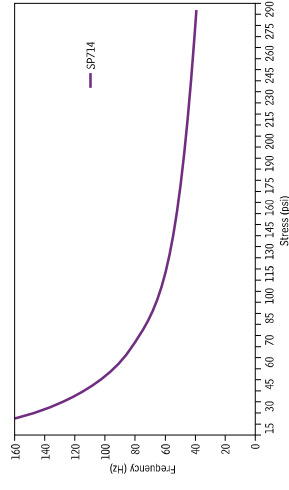
- Injection Molding Machines
- Extrusion Machines
- Blow Molders
- Granulators
- Machine Tools
- Milling Machines
- Measuring Machines
- Grinders



Load vs. Deflection (Vertical)  
MHD Machine Mount



F<sub>n</sub> vs. Stress  
MHD Machine Mount



| Item No. | Model   | Load (lbs) | Height, h (in) | Adjustment, A (in) | Diameter, D (in) | Thread type d | Length, L (in) |
|----------|---------|------------|----------------|--------------------|------------------|---------------|----------------|
| 48003    | MHD 130 | 3300       | 2.36           | 0.70               | 5.50             | M16-1.5 x 150 | 4.33           |
| 48003    | MHD 165 | 6000       | 2.36           | 0.95               | 6.85             | M20-1.5 x 150 | 4.15           |
| 48009    | MHD 190 | 8800       | 2.36           | 0.95               | 7.80             | M20-1.5 x 150 | 4.15           |
| 48012    | MHD 240 | 12000      | 3.15           | 1.10               | 9.65             | M24-2.0 x 150 | 3.54           |

Includes one nut & washer set