

### Plate and Stud Type Mounts

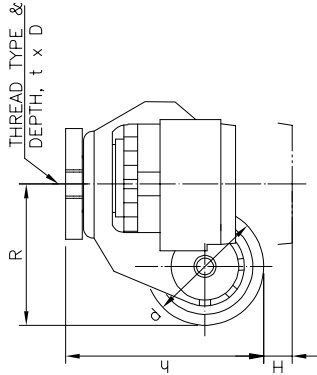
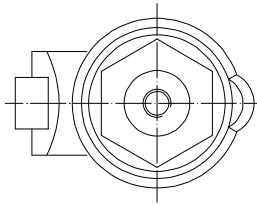
This Level Caster fits every mounting requirement neatly into one package; offering the functionality of three products for the price of just one. The Level Caster incorporates a high-grade nylon wheel for easy movement, a mount for precise leveling, and a rubber pad for anti-vibration control.



#### Advantages

- Anti-vibration control, NBR pad
- Easy hand leveling adjustment
- 360° freedom of motion
- Die-cast aluminum frame
- Dual mounting designs
- High quality nylon wheel

### SLC-XXXX: Stud Mounting



| Item Number<br>Stud Mount | Type | Load Capacity<br>(lbs) | Height, h<br>(in) | Adjustment, H<br>(in) | Wheel Dia., d<br>(in) | Thread<br>type, t | Depth, D<br>(in) | Swivel<br>Radius (R) |
|---------------------------|------|------------------------|-------------------|-----------------------|-----------------------|-------------------|------------------|----------------------|
| SLC-50S                   | A    | 50                     | 2.87              | 0.39                  | 1.65                  | M8 - 1.25         | 0.47             | 2.13                 |
| SLC-200SL                 | B    | 200                    | 2.78              | 0.35                  | 1.97                  | M12 - 1.75        | 0.59             | 2.85                 |
| SLC-300S                  | A    | 300                    | 3.27              | 0.39                  | 1.97                  | M12 - 1.75        | 0.59             | 2.36                 |
| SLC-600S                  | A    | 600                    | 4.02              | 0.59                  | 2.48                  | M12 - 1.75        | 0.59             | 3.28                 |
| SLC-1000S                 | A    | 1000                   | 4.88              | 0.71                  | 2.83                  | M16 - 2.0         | 0.63             | 3.52                 |
| SLC-1300S*                | A    | 1300                   | 4.92              | 0.71                  | 2.83                  | M16 - 2.0         | 0.63             | 3.52                 |

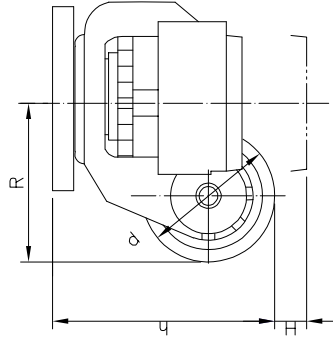
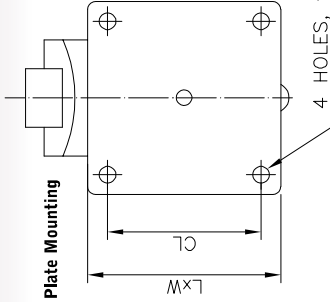
\*Level tool required for adjustment

### Applications

- Packaging Equipment
- Workstations
- Telecommunications Racks
- Assembly Equipment
- Electronics Manufacturing Equipment

See our Online Specifications:  
[www.sunnexonline.com/mounts/casters.htm](http://www.sunnexonline.com/mounts/casters.htm)

### SLC-XXXX: Plate Mounting



| Item Number<br>Plate Mount | Type | Load Capacity<br>(lbs) | Height, h<br>(in) | Adjustment, H<br>(in) | Wheel Dia., d<br>(in) | Hole Dia., t<br>(in) | Hole, D<br>(in) | Swivel<br>Radius (R) |
|----------------------------|------|------------------------|-------------------|-----------------------|-----------------------|----------------------|-----------------|----------------------|
| SLC-200PL                  | B    | 200                    | 2.78              | 0.35                  | 1.97                  | 0.26                 | 2.28            | 2.85                 |
| SLC-300P                   | A    | 300                    | 3.27              | 0.39                  | 1.97                  | 0.26                 | 2.28            | 2.36                 |
| SLC-400PL                  | C    | 400                    | 2.99              | 0.39                  | 1.97                  | 0.35                 | 2.76            | 1.99                 |
| SLC-600P                   | A    | 600                    | 4.02              | 0.59                  | 2.48                  | 0.35                 | 2.76            | 3.28                 |
| SLC-800PL                  | C    | 800                    | 3.74              | 0.51                  | 2.83                  | 0.35                 | 2.76            | 2.42                 |
| SLC-1000P                  | A    | 1000                   | 4.88              | 0.71                  | 2.83                  | 0.43                 | 2.76            | 3.52                 |
| SLC-1300P*                 | A    | 1300                   | 4.92              | 0.71                  | 2.83                  | 0.43                 | 2.76            | 3.52                 |
| SLC-1800P*                 | A    | 1800                   | 5.12              | 0.98                  | 3.62                  | 0.51                 | 2.76            | 4.56                 |

\*Level tool required for adjustment