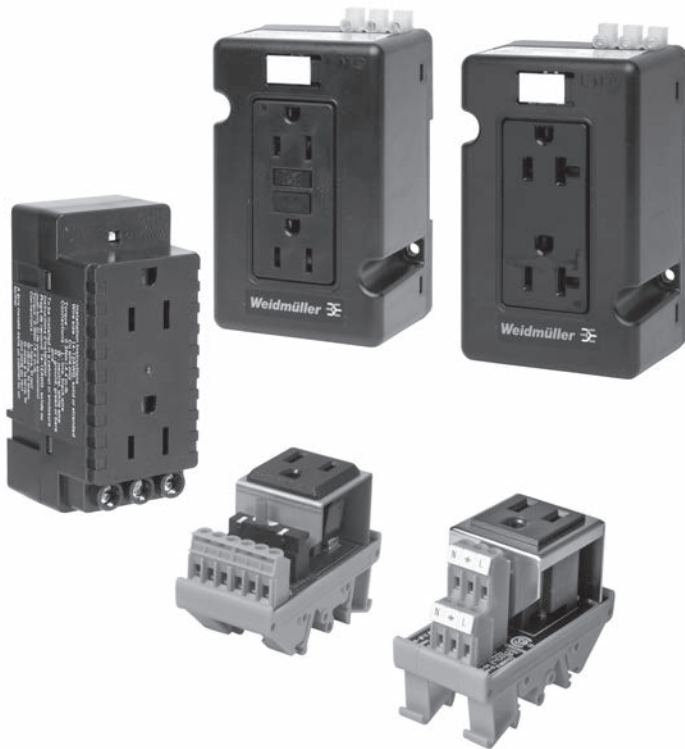


Datasheet

AC Outlet

DIN-Rail Mountable Receptacles



DIN-rail receptacles, 5A, 15A and 20A power outlets, provide a convenient power source for portable computers or test devices for in-the-panel troubleshooting. They mount on standard 35mm DIN-rail. The terminations accept slotted or Phillips screwdrivers. The mounting foot includes a latching lock - slide it open, mount the module on the DIN-rail and slide the lock closed.

- Easily snaps onto 35mm DIN-rail
- Panel mountable, model dependent
- 5A, 15A or 20A versions
- Easy to wire
- Available with ground fault current interrupt (GFCI) or standard outlets
- Optional power-on indication with GFCI*
- NEMA rated enclosure with UL94 VO flammability rating
- UL508A, cULus, and cURus and CSA* approved
- Latching mounting foot makes installation and removal from DIN-rail easy

*Applies to part number 6720005430

Weidmuller, Canada

10 Spy Court
Markham, Ontario L3R 5H6
Telephone: (800) 268-4080
Facsimile: (877) 300-5635
Email: info1@weidmuller.ca
Website: www.weidmuller.ca

Weidmuller, Mexico

Bldv. Hermanos Serdán 698,
Col. San Rafael Oriente
Puebla, Puebla, Mexico
C.P. 72029
Telephone: 01 222 2686267
Facsimile: 01 222 2686219
Email: clientes@weidmuller.com.mx
Website: www.weidmuller.com.mx

Weidmuller, United States

821 Southlake Blvd.
Richmond, Virginia 23236
Telephone: (800) 849-9343
Facsimile: (804) 379-2593
Email: info@weidmuller.com
Website: www.weidmuller.com

15 Amp

15 Amp Duplex

15 Amp GFCI



Technical data

Voltage	120 VAC nominal, 125 VAC max.
Current	15A max.
Operating Frequency	50 - 60 Hz
Dielectric Voltage	Withstands 2000V per UL498
Trip Level	N/A
Termination Wire Size	20 - 10 AWG (solid or stranded, copper only)
Terminal Torque	0.79Nm/7 lb.-in.
Terminations	Screw terminals, slotted
Temperature	
Operating	-25°C to 60°C
Storage	-35°C to 80°C
Material Listing	
Enclosure Cover, Flammibility	PBT/polycarbonate blend, UL94 rating V0 @ .63mm
Enclosure Base, Flammibility	Polyamide 6/6 30% GF, UL94 rating V0 @ .63mm
Spring	Stainless Steel
Mounting	
Width	74.1mm/2.9 in.
Length	123.6mm/4.9 in.
Height	61.5mm/2.4 in.
Approvals/Certifications	
Enclosure Type	NEMA WD6, 5-15R

Voltage	120 VAC nominal, 125 VAC max.
Current	15A max.
Operating Frequency	50 - 60 Hz
Dielectric Voltage	Withstands 1500V per UL498
Trip Level	5mA ± 1mA
Termination Wire Size	20 - 10 AWG (solid or stranded, copper only)
Terminal Torque	0.79Nm/7 lb.-in.
Terminations	Screw terminals, slotted
Temperature	
Operating	-25°C to 60°C
Storage	-35°C to 80°C
Material Listing	
Enclosure Cover, Flammibility	PBT/polycarbonate blend, UL94 rating V0 @ .63mm
Enclosure Base, Flammibility	Polyamide 6/6 30% GF, UL94 rating V0 @ .63mm
Spring	Stainless Steel
Mounting	
Width	74.1mm/2.9 in.
Length	123.6mm/4.9 in.
Height	61.5mm/2.4 in.
Description	
	cULus Listed to UL508A and C22.2 No. 14 File E223801
	NEMA WD6, 5-15R

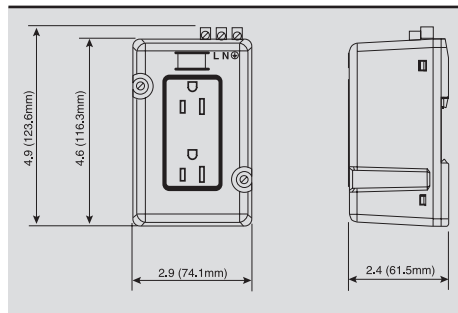
Voltage	120 VAC nominal, 125 VAC max.
Current	15A max.
Operating Frequency	50 - 60 Hz
Dielectric Voltage	Withstands 1500V per UL498
Trip Level	5mA ± 1mA
Termination Wire Size	20 - 10 AWG (solid or stranded, copper only)
Terminal Torque	0.79Nm/7 lb.-in.
Terminations	Screw terminals, slotted
Temperature	
Operating	-25°C to 60°C
Storage	-35°C to 80°C
Material Listing	
Enclosure Cover, Flammibility	PBT/polycarbonate blend, UL94 rating V0 @ .63mm
Enclosure Base, Flammibility	Polyamide 6/6 30% GF, UL94 rating V0 @ .63mm
Spring	Stainless Steel
Mounting	
Width	74.1mm/2.9 in.
Length	123.6mm/4.9 in.
Height	61.5mm/2.4 in.
Description	
	cULus Listed to UL508A and C22.2 No. 14 File E223801
	NEMA WD6, 5-15R

Ordering data

Type	Part No.
DRAC DP 15	6720005421

Type	Part No.
DRAC GF 15	6720005422

Type	Part No.
DRAC GF 15	6720005422



20 Amp

20 Amp Duplex

20 Amp GFCI



Technical data

Voltage
Current
Operating Frequency
Dielectric Voltage

120 VAC nominal, 125 VAC max.
20A max.
50 - 60 Hz
Withstands 2000V per UL498

120 VAC nominal, 125 VAC max.
20A max.
50 - 60 Hz
Withstands 1500V per UL498

Trip Level
Termination Wire Size
Terminal Torque
Terminations

N/A
20 - 10 AWG (solid or stranded, copper only)
0.79Nm/7 lb.-in.
Screw terminals, slotted

5mA ±1mA
20 - 10 AWG (solid or stranded, copper only)
0.79Nm/7 lb.-in.
Screw terminals, slotted

Temperature
Operating
Storage

-25°C to 60°C
-35°C to 80°C

-25°C to 60°C
-35°C to 80°C

Material Listing
Enclosure Cover, Flammibility
Enclosure Base, Flammibility
Spring

PBT/polycarbonate blend, UL94 rating V0 @ .63mm
Polyamide 6/6 30% GF, UL94 rating V0 @ .63mm
Stainless Steel

PBT/polycarbonate blend, UL94 rating V0 @ .63mm
Polyamide 6/6 30% GF, UL94 rating V0 @ .63mm
Stainless Steel

Mounting
Width
Length
Height

TS35 DIN-Rail or direct panel mount
74.1mm/2.9 in.
123.6mm/4.9 in.
61.5mm/2.4 in.

TS35 DIN-Rail or direct panel mount
74.1mm/2.9 in.
123.6mm/4.9 in.
61.5mm/2.4 in.

Approvals/Certifications

Enclosure Type

Description

UL cULus Listed to UL508A and C22.2 No. 14 File E223801
NEMA WD6, 5-20R

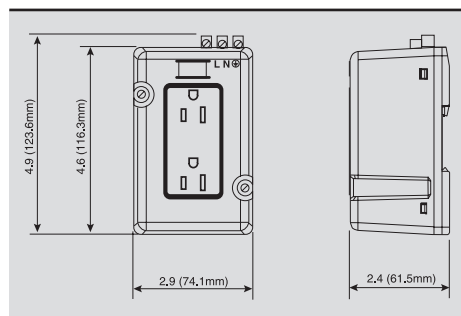
Description

UL cULus Listed to UL508A and C22.2 No. 14 File E223801
NEMA WD6, 5-20R

Ordering data

Type	Part No.
DRAC DP 20	6720005420

Type	Part No.
DRAC GF 20	6720005423



Compact 15 Amp

This new DIN-rail mountable duplex receptacle makes adding a 120V maintenance AC outlet to control cabinets quick and easy. It mounts on standard 35mm DIN-rail and requires just 42mm of rail space. An LED indicates that 120V is applied to the module. The terminations accept slotted or Phillips screwdrivers. The mounting foot includes a latching lock – slide it open, mount the module on the DIN-rail and slide the lock closed.

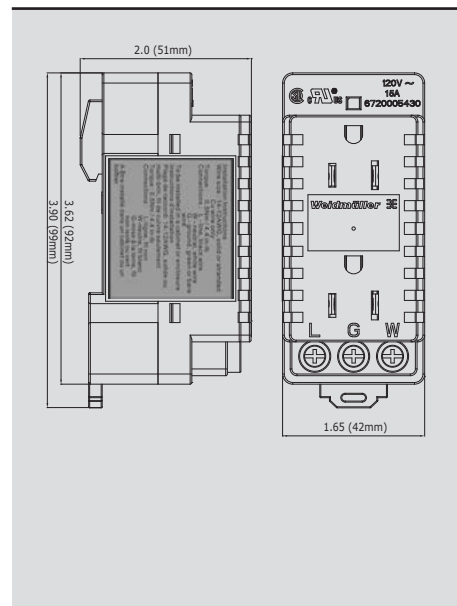
- requires just 42mm of DIN-rail
- includes power status LED
- latching mounting foot makes installation and removal from DIN-rail easy
- CSA certified and cURus recognized

15 Amp Duplex w/LED



Technical data

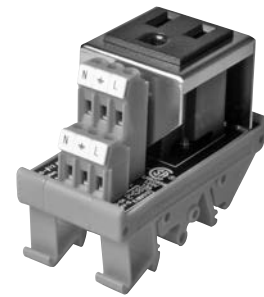
Voltage	120 VAC nominal
Current	15A max.
Wire Size (AWG)	14-12 AWG (Solid or stranded, copper only)
Stripping Length mm/in.	8.8-11 / 0.347-0.433
Terminations	Screw terminals, slotted or Phillips "L":line "W":neutral "G":ground
Terminal Torque	0.5Nm/4.4 in-lb
Mounting	TS35 DIN-Rail
Width	42mm/1.65 in.
Length	99mm/3.90 in.
Height	51mm/2.01 in.
Approvals/Certifications	Description
	<p>CSA certified, file 25 1163, Project 2345434, according to C22.2 No. 42</p> <p>cURus recognized, file E340886, according to UL498 and C22.2 No. 182.3</p>
Ordering data	Type Part No.
	DUPLEX 120VAC OUTLET W/LED 6720005430



Simplex

5 Amp Simplex w/ Circuit Breaker

15 Amp Simplex w/o Circuit Breaker



Technical data

Voltage
Current
Wire Size (AWG)
Stripping Length mm/in.
Terminal Torque
Mounting
Width
Length
Height
Approvals/Certifications

120 VAC
5A max.
26 - 12 AWG (0.14 - 4.0mm ²)
6mm
0.5-0.6 Nm
TS32 or TS35 DIN-Rail
35mm/1.38 in.
70mm/2.76 in.
58.5mm/2.30 in.
Description
UL LR-229352, UL E252394

120 VAC
15A max.
26 - 12 AWG (0.14 - 4.0mm ²)
6mm
0.5-0.6 Nm
TS32 or TS35 DIN-Rail
35mm/1.38 in.
70mm/2.76 in.
58.5mm/2.30 in.
Description
UL LR-229352, UL E252394

Ordering data

Type	Part No.
Single outlet with circuit breaker (supplemental protector with manual reset via push button)	9915480001

Type	Part No.
Single outlet without circuit breaker	9915480000

